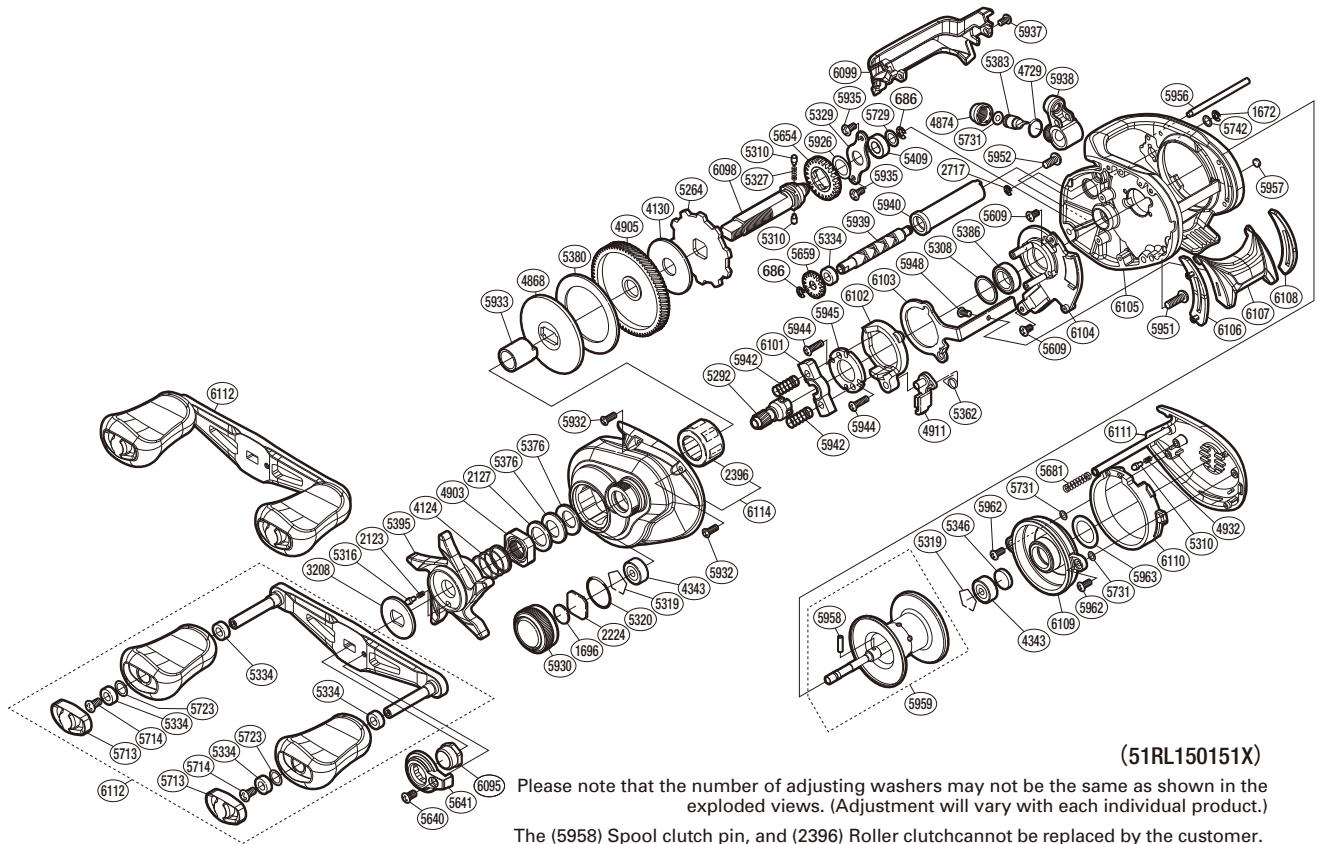


SHIMANO

SLX SA-RB

SLX151



(51RL150151X)

Please note that the number of adjusting washers may not be the same as shown in the exploded views. (Adjustment will vary with each individual product.)

The (5958) Spool clutch pin, and (2396) Roller clutch cannot be replaced by the customer. To replace these parts, please request after-sales service.

| Part No. | Description | Part No. | Description | Part No. | Description |
|----------|------------------------|----------|--------------------------|----------|----------------------------|
| BNT0686 | E Lock | BNT5362 | Clutch Pawl Spring | BNT5945 | Clutch Cam Retainer |
| BNT1672 | E Lock | BNT5376 | Drag Spring Washer | BNT5948 | Screw |
| BNT1696 | Cast Control Spacer B | BNT5380 | Drag Washer | BNT5951 | Screw |
| BNT2123 | Click Spring | BNT5383 | Line Guide Pawl | BNT5952 | Screw |
| BNT2127 | Star Drag Spacer | BNT5386 | Ball Bearing | BNT5956 | Stabilizer Bar |
| BNT2224 | Spool Tension Spacer A | BNT5395 | Star Drag | BNT5957 | Washer |
| BNT2396 | Roller Clutch Bearing | BNT5409 | Drive Shaft Bushing | BNT5958 | Spool Clutch Pin |
| BNT2717 | E Lock | BNT5609 | Screw | BNT5959 | Spool Assembly |
| BNT3208 | Star Drag Click Plate | BNT5640 | Screw | BNT5962 | Screw |
| BNT4124 | Star Drag Spring | BNT5641 | Handle Nut Plate | BNT5963 | Washer |
| BNT4130 | Drag Washer | BNT5654 | Idle Gear | BNT6095 | Handle Nut |
| BNT4343 | Ball Bearing | BNT5659 | Idle Gear | BNT6098 | Drive Shaft |
| BNT4729 | O Ring | BNT5681 | Spring | BNT6099 | Level Wind Protector |
| BNT4868 | Key Washer | BNT5713 | Handle Knob Seal | BNT6101 | Yoke |
| BNT4874 | Pawl Cap | BNT5714 | Screw | BNT6102 | Clutch Cam |
| BNT4903 | Star Drag Nut | BNT5723 | Washer | BNT6103 | Clutch Plate |
| BNT4905 | Drive Gear | BNT5729 | Washer | BNT6104 | Clutch Guard Assembly |
| BNT4911 | Clutch Pawl | BNT5731 | Washer | BNT6105 | Frame |
| BNT4932 | Click Spring | BNT5742 | Washer | BNT6106 | Clutch Bar Guide B |
| BNT5264 | Anti-Reverse Ratchet | BNT5926 | Washer | BNT6107 | Clutch Button |
| BNT5292 | Pinion Gear | BNT5930 | Cast Control Cap | BNT6108 | Clutch Bar Guide A |
| BNT5308 | Washer | BNT5932 | Screw | BNT6109 | Dial Case |
| BNT5310 | Idle Gear Pin | BNT5933 | Roller Clutch Inner Tube | BNT6110 | Right Side Plate Cam Lever |
| BNT5316 | Click Pin | BNT5935 | Screw | BNT6111 | Right Side Plate Assembly |
| BNT5319 | Bearing Retainer | BNT5937 | Screw | BNT6112 | Handle Assembly |
| BNT5320 | O Ring | BNT5938 | Line Guide Assembly | BNT6114 | Left Side Plate Assembly |
| BNT5327 | Idle Gear Spring | BNT5939 | Worm Shaft | | |
| BNT5329 | Drive Shaft Retainer | BNT5940 | Level Wind Guard | | |
| BNT5334 | Bushing | BNT5942 | Yoke Spring | | |
| BNT5346 | Spacer B | BNT5944 | Screw | BNT4692 | B-100 Oil (Accessory) |