



XOD12BUILDER
SINK PRO NANOGRIND

QUICKCONNECT CONTINUOUS FEED WASTE DISPOSALS



XOD12BUILDER

- QuickConnect Twist-Lock Mount
- High Speed Magnet Motor
- Septic Safe

YOUR XO KITCHEN WASTE DISPOSAL

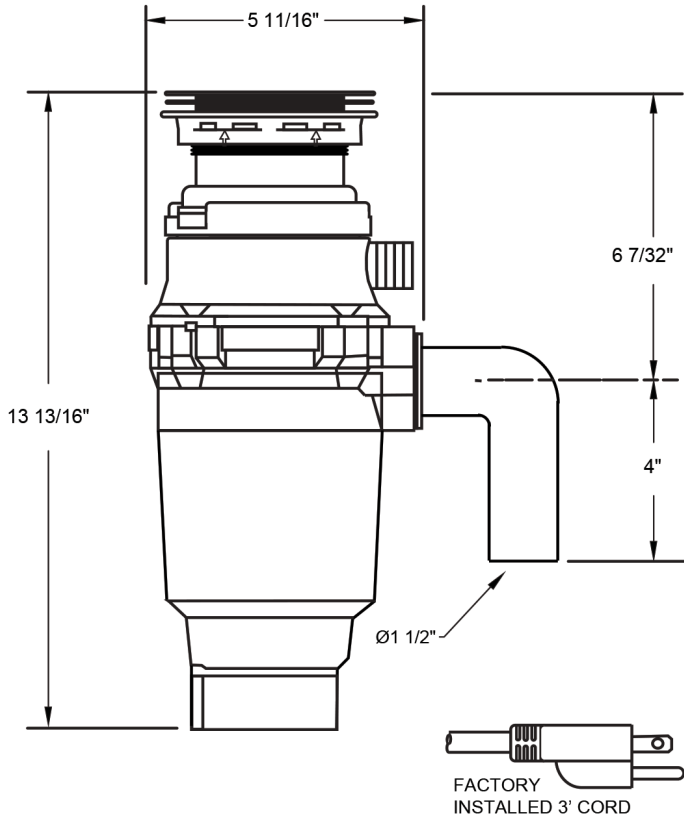
XO WASTE DISPOSALS are the green kitchen convenience you can feel good about buying and using. Make cleanups a breeze and your kitchen clean and odor free. Quick, quiet grinding power to cut through tough foods. Backed by the best warranty in the business. Strong, Quiet, Reliable and takes out the garbage without being asked twice.

Is it possible to fall in love with an appliance?

WORLD CLASS SERVICE | COMPREHENSIVE WARRANTIES

OUR LASTING COMMITMENT TO YOU

CATEGORY: Continuous Feed **QuickConnect Twist-Lock Mount**



Continuous Feed models require An on/off switch sold seperately See: **XODAIRSWITCH**



Limited warranty see webiste for details



For 90 days, all our products are backed by our unique Love It or Leave It Guarantee*

(*Does not apply to XO Outdoor Kitchen Products)

PRODUCT HIGHLIGHTS

- Permanent Magnet Motor
- Generates High Torque / Avoid Jams
- Stainless Steel Turntable & Cast Impellers
- Bio-guard Antimicrobial Protection
- Removable Splash Guard
- Factory Installed Power Cord and Plug
- Precision Balanced
- XO QuickConnect Mount

SPECIFICATIONS

- 1 HP Continuous Feed Disposal
- 3' Long 3 Prong Power Cord
- Manual Reset Thermal Overload Protection
- 120 V / 60 Hz - 3.1 amps
- All XO Disposals are UL Listed

OPTIONS:

Remote Air Operated ON/OFF Switch

XODAIRSWITCH

