

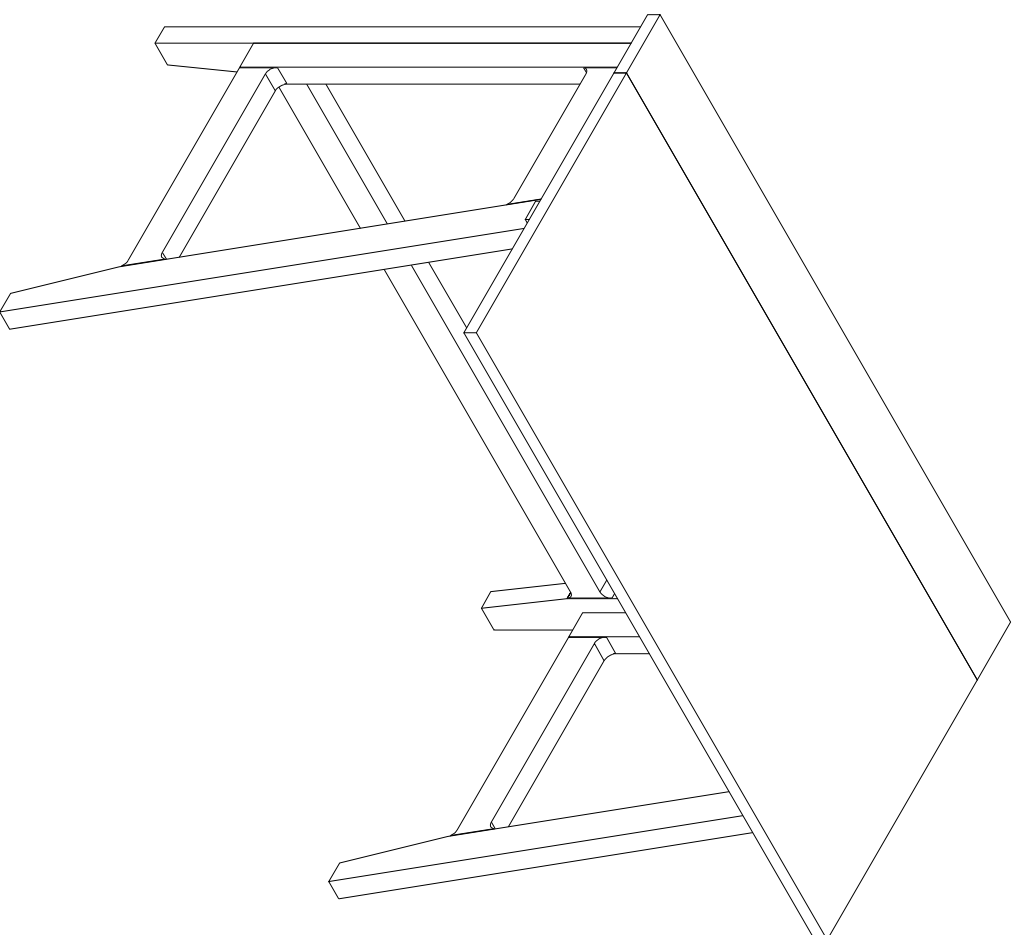
Thank you for purchasing Leick Furniture products.
Contact customer service for comments or concerns.

800-558-8700

cs@todaydesignhouse.com

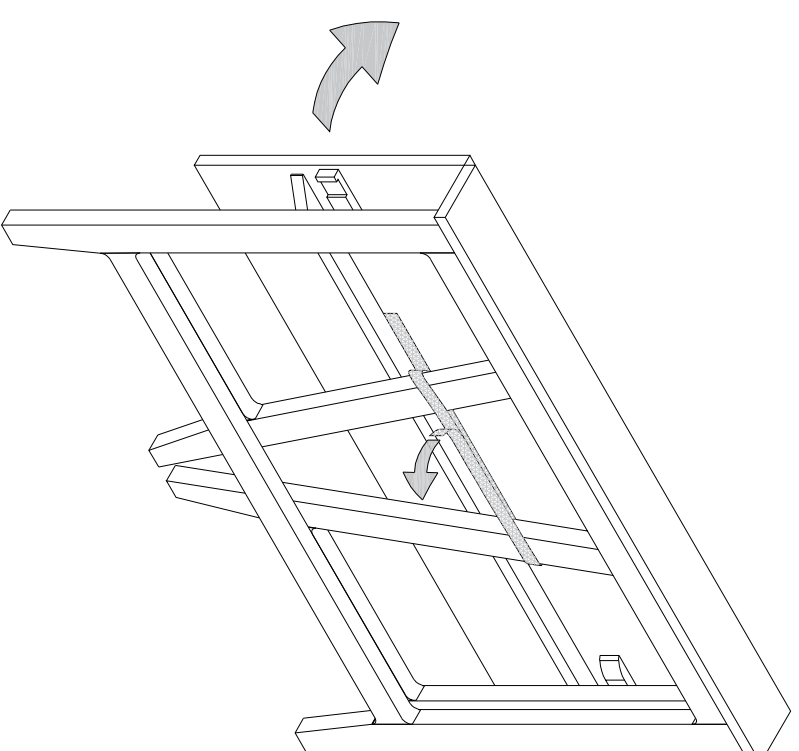
todaydesignhouse.com

Assembly Instructions, #90400 Dottie Folding Desk



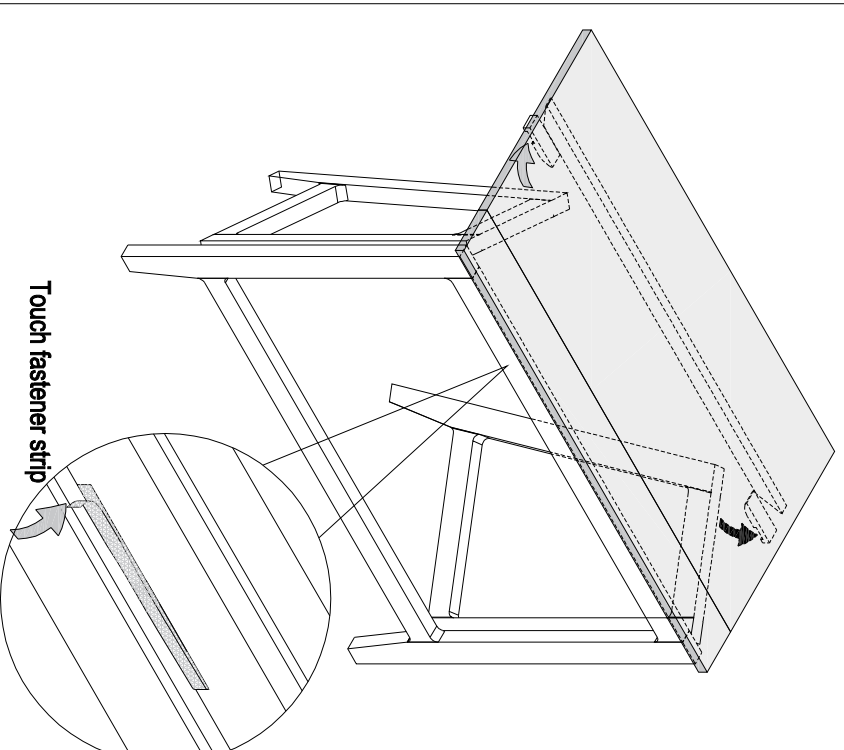
Step 1

1.1) Peel the overlapping end to open the touch fastener strip and unfold the desk's top panel.



Step 2

2.1) Unfold two legs to fit onto groove of wooden block under the top panel.
2.2) Stick back the touch fastener strip as shown in the following graphic.



Step 3

3.1) Adjust the levelers at the bottom of legs if needed.

