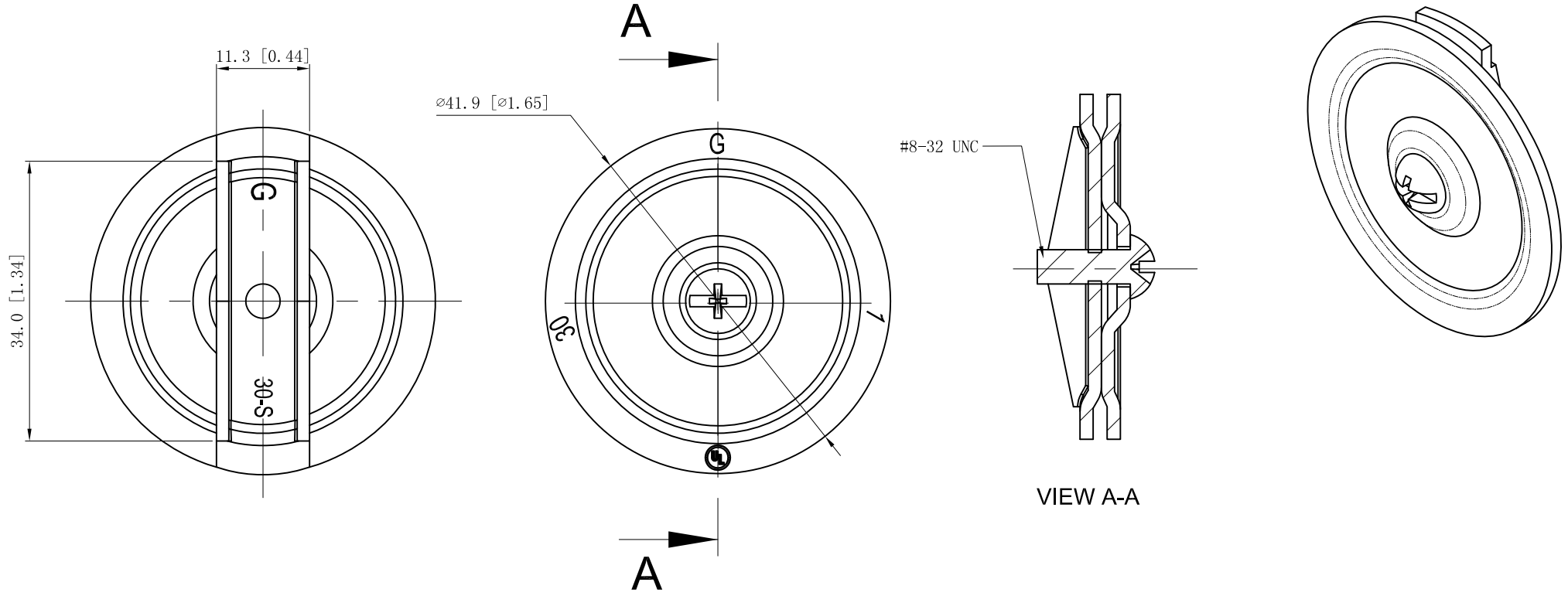


SIDES	BOTTOM
1 PCS 8-32×1/2 Screws Installed	
Material:Steel-0.0625"-C.R.S Zinc Plated	



DESCRIPTION
TRADE REFERENCE TERMS

STANDARD PACKING
50/500 PCS

This data sheet is for reference only .GARVIN INDUSTRIES reserves the right to make changes to the design without prior notice.

GARVIN INDUSTRIES			
TITLE KNOCKOUT SEALS			
SIZE A4	DWG NO.	KOS-100	REV A
DATA SHEET			