

For Residential and Commercial Applications

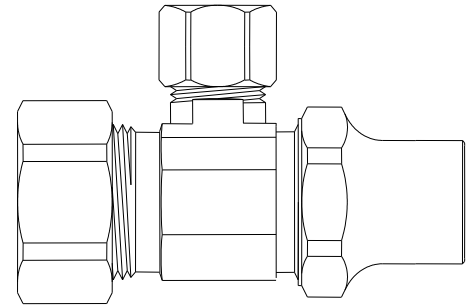
Job Name		Engineer / Architect	
Job Location		Wholesaler	
Submittal Date		Contractor	

SCR1B/SCR09/SCR19/SCR39/SSCR19X Multi-Turn Angle Stop – Compression x Compression

Use: For use in potable water distribution systems in accessible locations only. Not intended for recirculation systems/continuous use of temperatures above 115°F. For those applications, use our KT™ series ball stop

Design Features:

- **Machined one-piece brass body** provides strength, durability, and long-lasting performance
- **Loose key handle** provides a secure grip for trouble-free on/off operation
- **Removable loose key handle** helps protect against accidental stop operation during rough-ins



Operating Specifications:

Temperature: 40° - 160° F

Pressure: 125 PSI maximum

STOP MATERIAL SPECIFICATIONS	
Body	Brass, plated
Lock Shield Stem	Brass, plated
Bib & Packing Washer	Rubber
Lock Shield	Brass, plated
Loose Key	Zinc die cast
Compression Nut	Brass, plated
Compression Sleeve	Brass



Excludes loose key handle

Part Listing:

- SCR1BX C 3/8" nom compression x 3/8" OD compression with loose key, chrome plated
- SCR09X C 1/2" nom compression x 1/4" OD compression with loose key, chrome plated
- SCR19X C 1/2" nom compression x 3/8" OD compression with loose key, chrome plated
- SCR19X C1 1/2" nom compression x 3/8" OD compression with loose key, chrome plated, window box
- SCR19X CM 1/2" nom compression x 3/8" OD compression with loose key, chrome plated, contractor pack
- SCR19L1X CB 1/2" nom compression x 3/8" OD compression with loose key, less nut, chrome plated, bulk
- SCR19X R 1/2" nom compression x 3/8" OD compression with loose key, rough brass
- SCR39X C 1/2" nom compression x 1/2" OD compression with loose key, chrome plated
- SCR39X C1 1/2" nom compression x 1/2" OD compression with loose key, chrome plated, window box
- SCR39X CM 1/2" nom compression x 1/2" OD compression with loose key, chrome plated, contractor pack

This specification and all information contained herein is the confidential and exclusive property of Brasscraft Manufacturing Company and shall not be disclosed to others without the written consent of Brasscraft Mfg. Co. This specification must be returned to Brasscraft Mfg. Co. if requested.

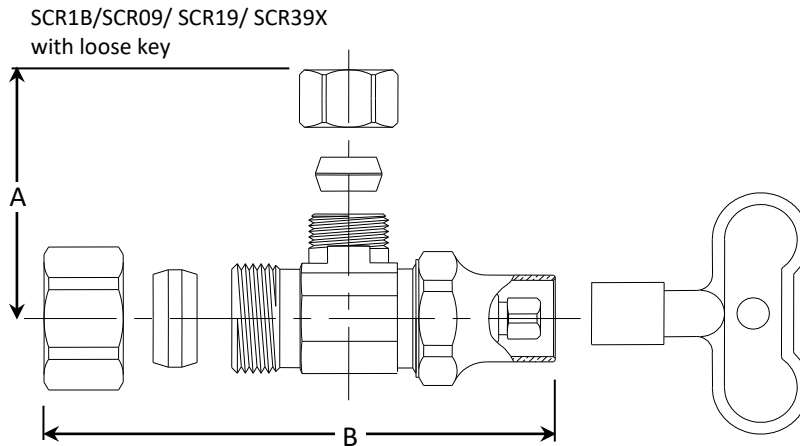
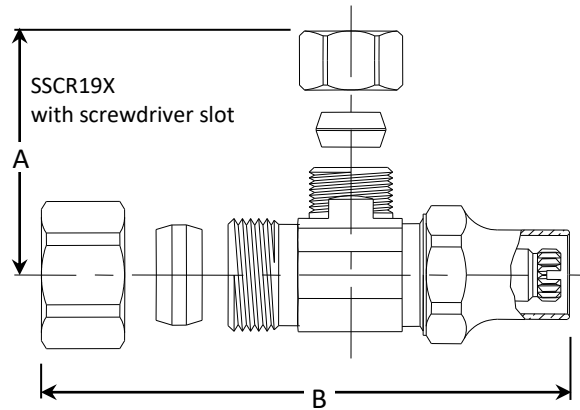


SCR1B/SCR09/SCR19/SCR39/SSCR19X Multi-Turn Angle Stop – Compression x Compression

Part Listing (con't):

- SSCR19X C 1/2" nom compression x 3/8" OD compression with screwdriver slot, chrome plated
- SSCR19X CM 1/2" nom compression x 3/8" OD compression with screwdriver slot, chrome plated, contractor pack

PART DIMENSIONS (Inches)		
Model	Dim. A	Dim. B
SCR1BX	1.02	2.56
SCR09X	1.02	2.56
SCR19X	1.02	2.56
SCR39X	1.11	2.65
SSCR19X	1.02	2.56



Listings & Certifications:

- IAPMO listed to ASME A112.18.1 / CSA B125.1 (includes NSF/ANSI 372 and NSF/ANSI/CAN 61)



Excludes loose key

This specification and all information contained herein is the confidential and exclusive property of Brasscraft Manufacturing Company and shall not be disclosed to others without the written consent of Brasscraft Mfg. Co. This specification must be returned to Brasscraft Mfg. Co. if requested.

BrassCraft®