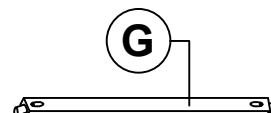
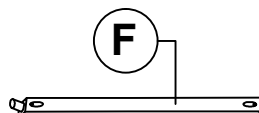
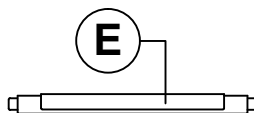
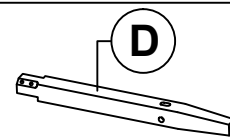
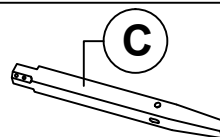
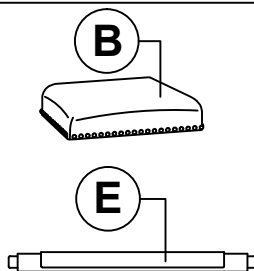
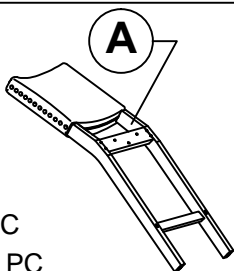


ROUSSEAU COUNTER DINING CHAIR ASSEMBLY INSTRUCTIONS



PARTS PACKING CONFIGURATIONS

- A. CHAIR BACK 1 PC
- B. SEAT 1 PC
- C. LEFT FRONT LEG 1 PC
- D. RIGHT FRONT LEG 1 PC
- E. FRONT STRETCHER 1 PC
- F. LEFT SIDE STRETCHER 1 PC
- G. RIGHT SIDE STRETCHER 1 PC

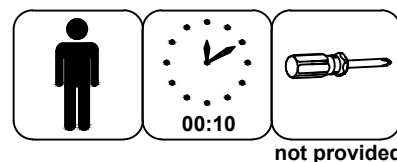
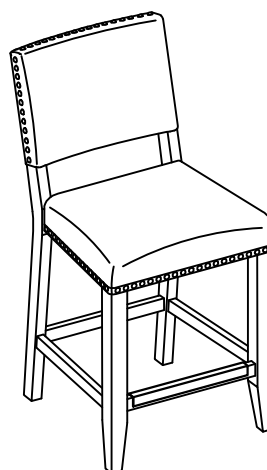


Stretcher is labeled L

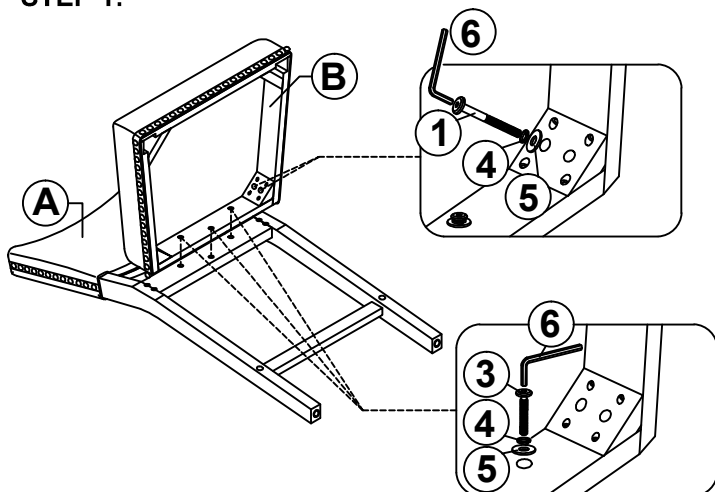
Stretcher is labeled R

HARDWARE PACKED IN BOX

No.	Description	Image	Quantity
1	ALLEN BOLT (1/4" x 75mm)		4 pcs
2	ALLEN BOLT (1/4" x 50mm)		4 pcs
3	ALLEN BOLT (1/4" x 40mm)		3 pcs
4	LOCK WASHER (5/16")		11 pcs
5	FLAT WASHER (5/16")		11 pcs
6	ALLEN KEY		1 pc
7	PHILLIPS SCREW		6 pcs

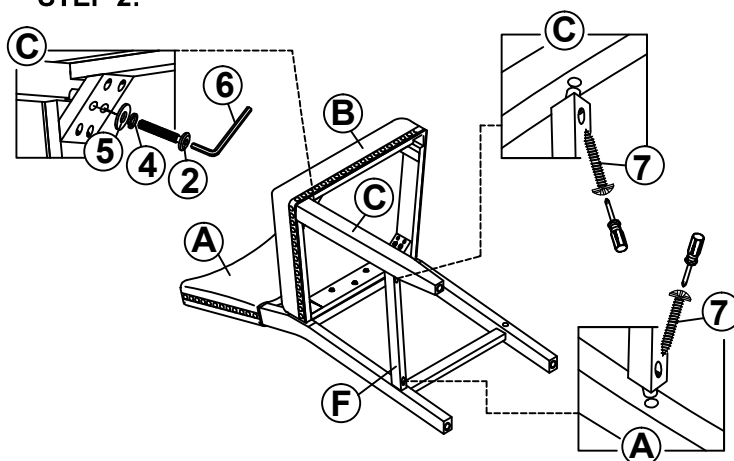


STEP 1:



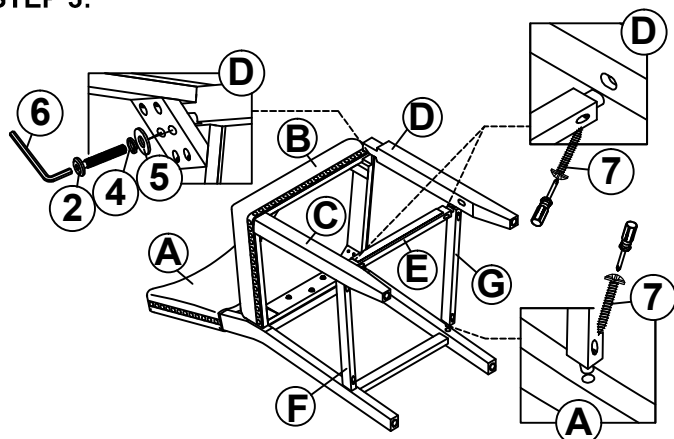
DO NOT FULLY TIGHTEN BOLTS

STEP 2:



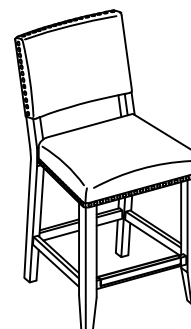
DO NOT FULLY TIGHTEN BOLTS AND SCREWS

STEP 3:



DO NOT FULLY TIGHTEN BOLTS AND SCREWS

STEP 4: ASSEMBLY COMPLETE



PLACE THE CHAIR ON A FLAT SURFACE SO THAT ALL FOUR LEGS ARE TOUCHING THE GROUND. ONCE LEVELED, FULLY TIGHTEN ALL BOLTS & SCREWS FROM THE PREVIOUS STEPS.