
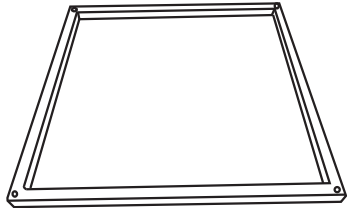
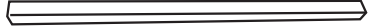
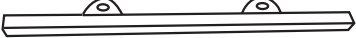




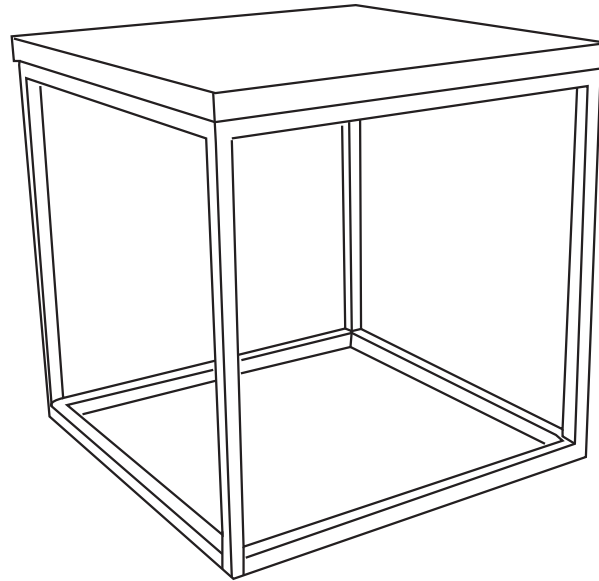


161-ST200

Metal and Wood Side Table

Parts Listing

- A  Table top
- B  Table leg 2pcs
- C  Table frame supporting tube 2pcs
- D  Table top supporting tube 2 pcs
- E  Screws M5*45mm 8pcs
- F  Screws M5*16mm 4pcs
- G  Washer 4pcs
- H  M5 Allen wrench 1pc



Assembly Instructions

STOP Two People Needed For Assembly
Please read all instructions before assembly.

Step 1: Put Table leg (B) and Table frame supporting tube (C) on a flat, clean surface. Assemble them together by screws (E) 4pcs.

Step 2: Put Table top supporting tube (D) on the top of the table leg frame. Fix them by screws (E) 4pcs.

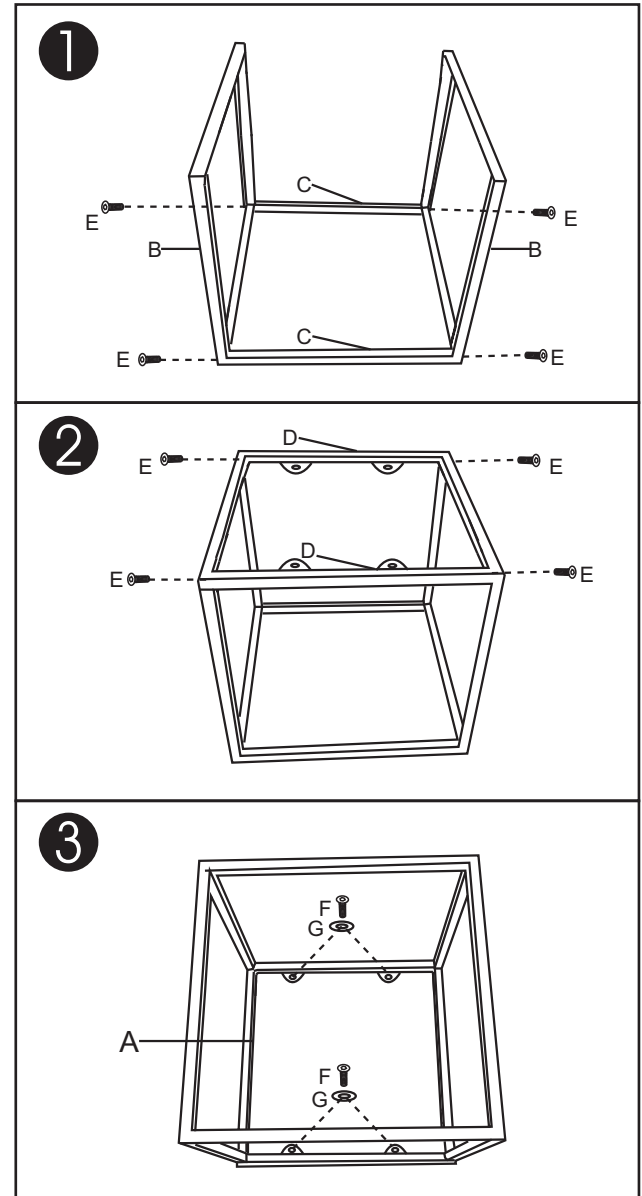
Step 3: Put the table top (A) upside down on a clean, flat surface. Place the metal frame upside down on the table top. Fix together with screws (F) 4pcs and Washers (G) 4pcs.

Assembly Notes:

During assembly, hand tighten screws only. When all screws are in place, you may then tighten all screws completely.

CAUTION:

1. Do not use this table as a step ladder.
2. Check for loose screws and tighten them every 6 months.



ofm

161 Tradition Trail, Holly Springs, NC 27540
800-520-7471 (voice) 919-362-4765 (fax)
919-303-6389 (voice) www.ofmnc.com
support@ofmnc.com