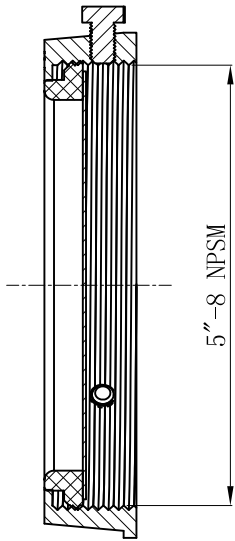
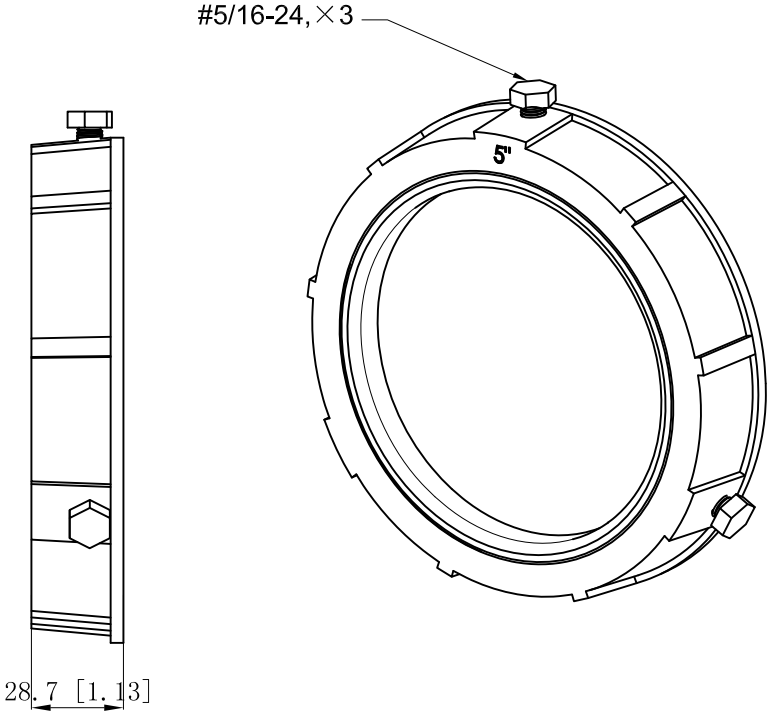
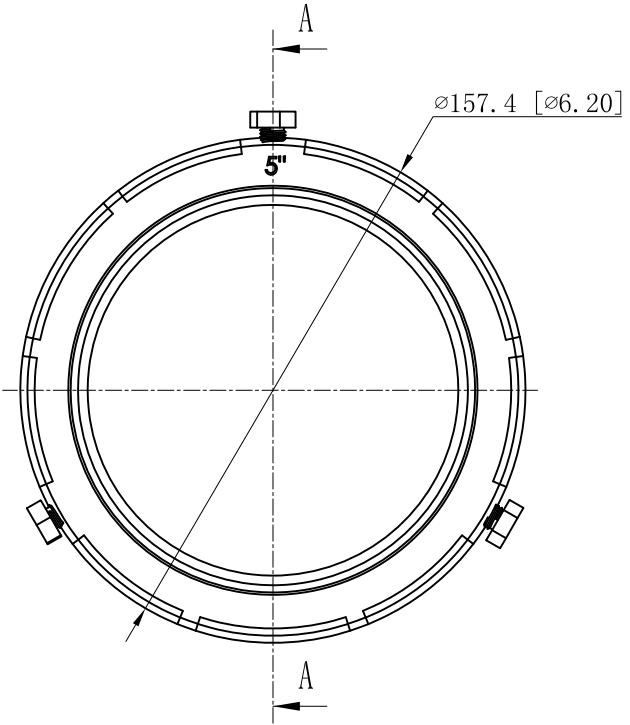


SIDES	BOTTOM
3 PCS #5/16-24×1/2 Screws Installed	
Material:Malleable casting,Finish:Zinc plated	



CUTAWAY VIEW A-A



This data sheet is for reference only .GARVIN INDUSTRIES reserves the right to make changes to the design without prior notice.

DESCRIPTION
TRADE REFERENCE TERMS

STANDARD PACKING

GARVIN INDUSTRIES		
TITLE Rigid Pipe Cap 5 IN		
SIZE A4	DWG NO. CAPR500	REV
DATA SHEET		
www.garvinindustries.com		