










Thank you for purchasing this quality product. Be sure to unpack carefully looking for small parts which may have come loose during shipment.

Read all instruction and study the drawing carefully before starting the assembly process.

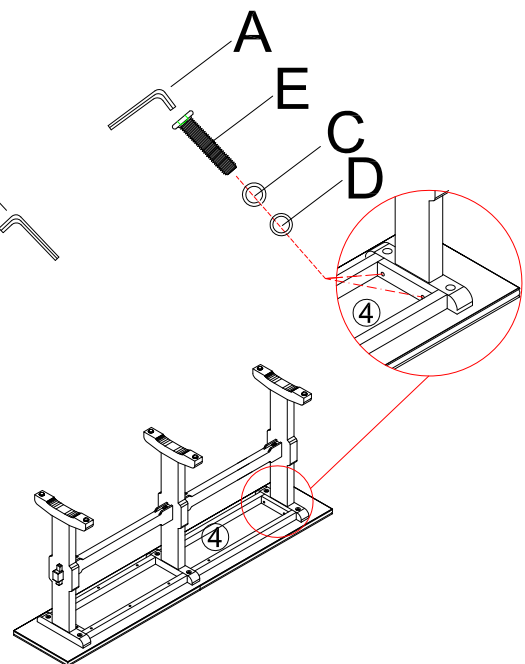
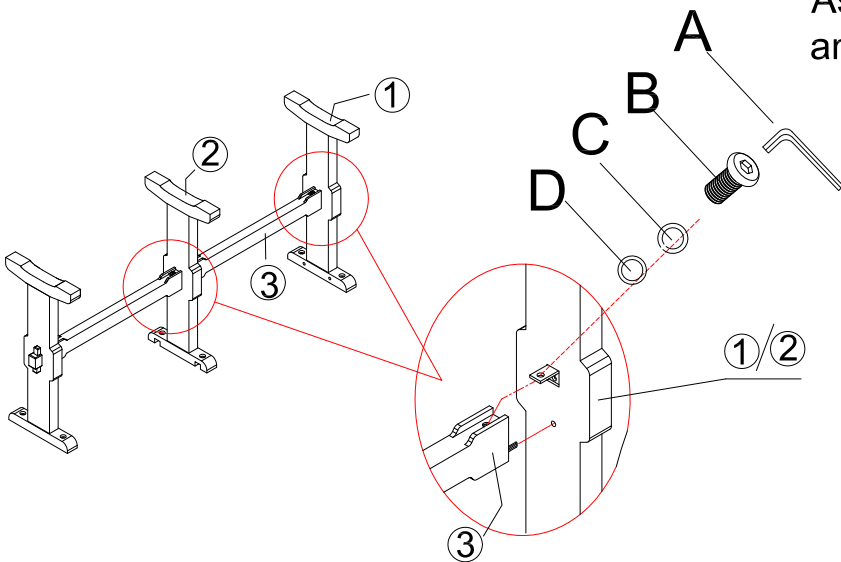
HARDWARE PACK

PART LIST

NO.	DRAWING	DESCRIPTION	SIZE	Q'TY	NO.	DRAWING	DESCRIPTION	Q'TY
A		Allen Wrench	5mm	1pc	①		Side Leg	2PCS
B		Bolt	5/16*25mm	4pcs	②		Middle Leg	1PC
C		Lock Washer	5/16"	14pcs	③		Stretchers	2PCS
D		Flat Washer	5/16"	14pcs	④		Table Top	1PC
E		Bolt	5/16*55mm	10pcs				

Step 1:

Assemble side legs (1), middle leg (2) and stretchers (3).

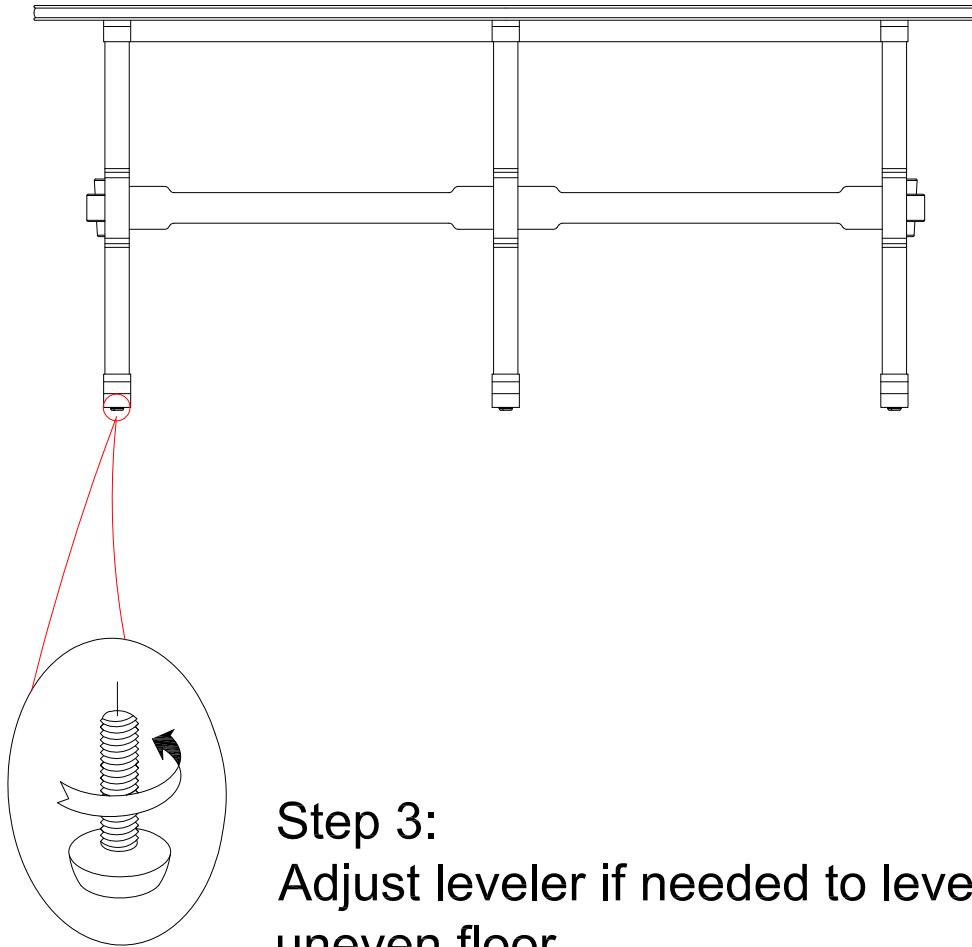


Step 2:

Attach the base to table top (4).

Thank you for purchasing this quality product. Be sure to unpack carefully looking for small parts which may have come loose during shipment.

Read all instruction and study the drawing carefully before starting the assembly process.



Step 3:
Adjust leveler if needed to level table on uneven floor.