

**4280 SERIES**  
 DRAWING NUMBER S4280  
 SIZE A  
 SCALE: NONE  
 DATE: 01/31/01  
 APPROVED BY:  
 CHECKED BY: BS  
 DRAWN BY: JJ  
 FIGURE NUMBER

DIMENSIONS ARE SUBJECT TO MANUFACTURERS TOLERANCE AND CHANGE WITHOUT NOTICE  
 WE CAN ASSUME NO RESPONSIBILITY FOR USE OF SUPERSEDED OR VOID DATA

**SMITH® JAY R. SMITH MFG. CO.®**  
 MEMBER OF MORRIS GROUP INTERNATIONAL  
 POST OFFICE BOX 3237  
 MONTGOMERY, ALABAMA 36109-0237 (USA)  
 TEL: 334-277-8520 FAX: 888-377-7818 www.jrsmith.com



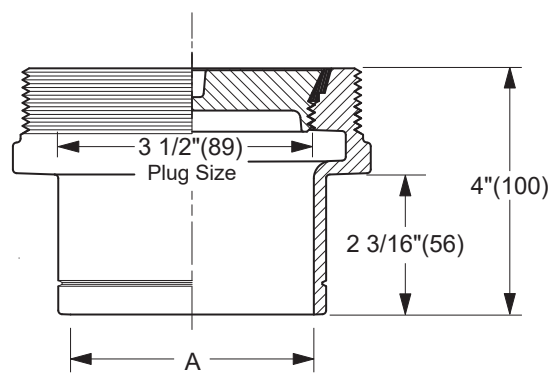


CUSTOMER DRIVEN SINCE 1926  
 MEMBER OF:

LOCATION

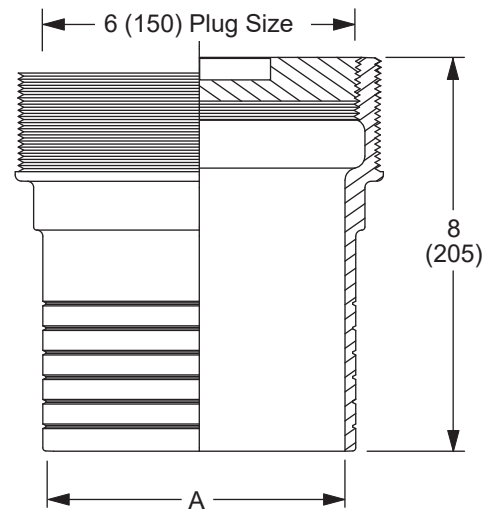
## FLOOR CLEANOUTS FOR UNFINISHED FLOORS

### CLEANOUT BODIES WITH CLOSURE PLUG



**NO-HUB OUTLET**

"A" (Pipe Size) = 02(50), 03(75), 04(100) or 05(125)



**SPIGOT OUTLET▲**

"A" (Pipe Size) = 06(150) & 08(200)

▲ Sized for Service Weight and/or NO-HUB.

**NO-HUB OUTLET**

- Fig. 4280S.....Gasket Seal - ABS Plug
- Fig. 4281S.....Gasket Seal - Bronze Plug
- Fig. 4283S.....Taper Thread - Bronze Plug
- Fig. 4284S.....Taper Thread - ABS Plug

**SPIGOT OUTLET ▲**

- Fig. 4283S.....Taper Thread - Bronze Plug

**REGULARLY FURNISHED:**

Duco Cast Iron Cleanout with Closure Plug Type as Indicated by Figure Number Selected.

**VARIATIONS:**

- Flashing Flange -F
- Flange with Flashing Clamp -F-C

**OPTIONAL MATERIALS:**

- Galvanized Cast Iron -G

**NOTE:** Dimensions shown in parentheses are in millimeters.

D	8-17-23	Removed Function	HS	CL			
C	5-5-06	Revised Dwg.	RN	CL			
B	6/24/02	Revised Dwg.	RN	CL			
A	05/07/01	Edited Outlet Text	JJ	CL			
REV.	DATE	DESCRIPTION	BY	CKD. BY	WEIGHT POUNDS	VOLUME CUBIC FEET	FIGURE NUMBER
							<b>4280 SERIES</b>