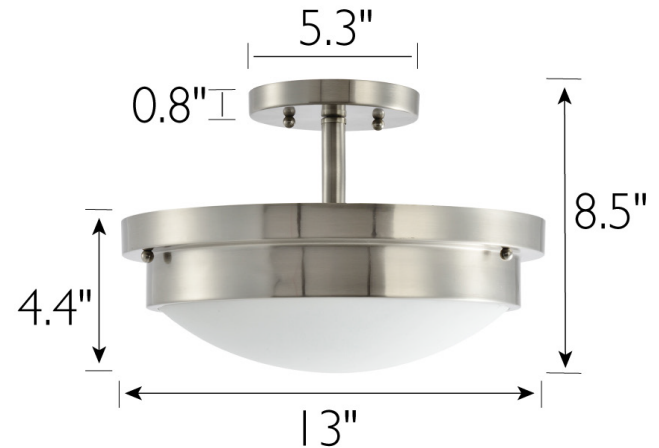


Harris 2-Light Dimmable Dual Mount Ceiling Light

Satin Nickel



DUAL MOUNT



SPECIFICATIONS

MOUNTING:	Flush Mount	LED BRIGHTNESS (LUMENS):	N/A
SLOPED CEILING ADAPTABLE:	No	LED COLOR CORRELATED TEMPERATURE (CCT):	N/A
LAMP TYPE:	Maximum 60W Medium Base Bulb	LED COLOR RENDERING INDEX (CRI):	N/A
BULB INCLUDED:	No	LED EFFICACY:	N/A
WATTS PER BULB:	60W	LED AVERAGE RATED LIFE:	N/A
TOTAL WATTAGE:	120W	ENERGY EFFICIENT:	No
DIMMABLE:	Yes	LIGHTING AMPS:	0.05
MATERIAL CONSTRUCTION:	Iron	VOLTAGE:	120V
ASSEMBLED DIMENSIONS:	8.5" H x 13" L x 13" D		
WEIGHT:	3.3 lbs.		
BACKPLATE DIMENSIONS:	N/A		
CANOPY/PLATE DIMENSIONS:	0.79" H x 5.3" W x 5.3" D		
GLASS/SHADE DIMENSIONS:	2.38" H x 11.25" L x 11.25" D		
GLASS/SHADE MATERIAL:	Glass		
GLASS/SHADE TYPE:	Frosted		
GLASS/SHADE COLOR:	Frosted		

WARRANTY:	10-Year limited warranty
UL/ETL CERTIFICATION:	cETL/ETL
WET/DRY/DAMP LISTING:	Dry
ADA COMPLIANT:	No
ENERGY STAR CERTIFIED:	No



TYPE:
JOB:
ORDER CODE:
APPROVALS: