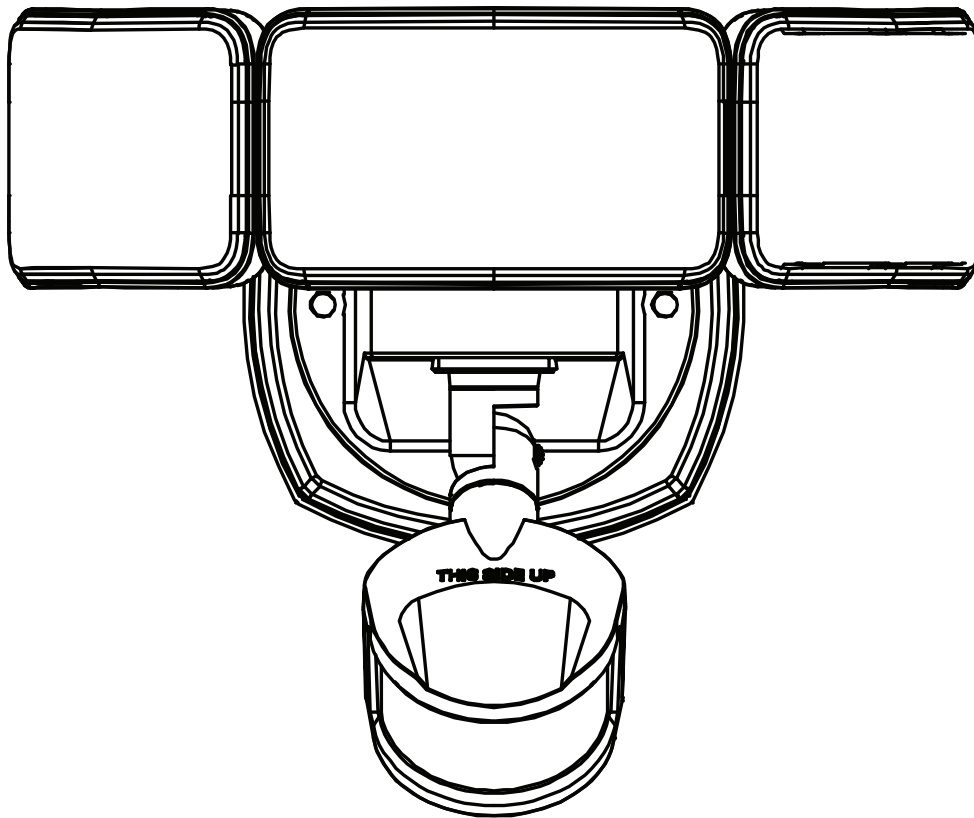


TRIPLE HEAD MOTION SECURITY FLOOD LIGHT

IMPORTANT SAFETY INSTRUCTIONS AND INSTALLATION GUIDE



READ BEFORE INSTALLATION
SAVE THESE INSTRUCTIONS

Questions, problems, missing parts? Before returning to the store,
call Feit Electric Customer Service
8 a.m. - 5 p.m., PST, Monday - Friday

1-866-326-BULB (2852)

FEIT.COM

Table of Contents

Table of Contents	2
Safety Information	2
FCC Statement	2
Warranty	2
Pre-Installation	3
External J-Box Installaion	4
Flush J-Box Installaion	4
Operating Instructions	5
Light Operation	6
Troubleshooting	6

Safety Information

READ BEFORE INSTALLATION

1. Follow all safeguards stated in the manual, in addition to normal safety precautions in working with electrical devices. Always follow basic safety precautions to reduce the risk of fire, electric shock and personal injury.
2. **WARNING: RISK OF SHOCK:** House electric current can cause painful shock or serious injury unless handled properly. For your safety, always remember to:
 - A. Turn OFF the power supply at the fuse or circuit breaker box before you install the fixture.
 - B. Ground the fixture to avoid potential electric shock and to ensure reliable starting.
 - C. Double check all connections to be sure they are tight and correct.
 - D. Wear Rubber sole shoes and work on a sturdy ladder.
3. This fixture is designed for use in a circuit protected by a fuse or circuit breaker. It is also designed to be installed in accordance with local electrical codes. If you are unsure about your wiring, consult a qualified electrician or local electrical inspector, and check your local electrical code.
4. **WARNING: RISK OF CUTS:** Some metal parts in the fixture may have sharp edges. To prevent cuts and scrapes, wear gloves when handling the parts.
5. Account for small parts and destroy packaging material, as these may be hazardous to children.

SAVE THESE INSTRUCTIONS

FCC STATEMENT

This device complies with part 15 of the FCC Rules. Operation is subject to the following two conditions:

(1) This device may not cause harmful interference, and (2) this device must accept any interference received, including interference that may cause undesired operation. Note: This equipment has been tested and found to comply with the limits for a Class B digital device, pursuant to part 15 of the FCC Rules. These limits are designed to provide reasonable protection against harmful interference in a residential installation. This equipment generates, uses and can radiate radio frequency energy and, if not installed and used in accordance with the instructions, may cause harmful interference to radio communications. However, there is no guarantee that interference will not occur in a particular installation. If this equipment does cause harmful interference to radio or television reception, which can be determined by turning the equipment off and on, the user is encouraged to try to correct the interference by one or more of the following measures: Reorient or relocate the receiving antenna. Increase the separation between the equipment and receiver. Connect the equipment into an outlet on a circuit different from that to which the receiver is connected. Consult the dealer or an experienced radio/TV technician for help. Any changes or modifications not expressly approved by the manufacturer could void the user's authority to operate the equipment. CAN ICES-005 (B)

Limited Warranty

This product is warranted to be free from defects in workmanship and materials for up to 5 years from date of purchase. If the product fails within the warranty period, please contact Feit Electric at info@feit.com, visit feit.com/contact-us or call 1-866-326-BULB (2852) for instructions on replacement or refund. REPLACEMENT OR REFUND IS YOUR SOLE REMEDY. EXCEPT TO THE EXTENT PROHIBITED BY APPLICABLE LAW, ANY IMPLIED WARRANTIES ARE LIMITED IN DURATION TO THE DURATION OF THIS WARRANTY. LIABILITY FOR INCIDENTAL OR CONSEQUENTIAL DAMAGES IS HEREBY EXPRESSLY EXCLUDED. Some states and provinces do not allow the exclusion of incidental or consequential damages, so the above limitation or exclusion may not apply to you. This warranty gives you specific legal rights, and you may also have other rights which vary from state to state or province to province.



WARNING: These products may represent a possible shock or fire hazard if improperly installed or attached in any way. Products should be installed in accordance with the owners manual, current electrical codes and/or the current National Electric Code (NEC). Properly ground electrical enclosure. Use only UL or IEC approved wire for input/output connections.



WARNING: Use only on 120 volt 60Hz circuits. Suitable for wet locations. Do not use with dimmers. Before installing your lighting fixture, thoroughly review enclosed installation manual. If you do not have sufficient electrical wiring experience, please refer to a do-it-yourself wiring handbook or have your fixture installed by a qualified licensed electrician. All electrical connections must be in accordance with Local and National Electrical Code (NEC) Standards. Reliable operating temperature is 0°F –120°F. For more information visit www.feit.com.



CAUTION: To avoid risk of fire, explosion, or electrical shock, this product should be installed, inspected and maintained by a qualified electrician only, in accordance with all applicable electrical codes. Be certain electrical power is OFF before and during installation and maintenance.



RISK OF INJURY: Wear gloves and safety glasses when installing, servicing or performing maintenance. Avoid direct eye exposure with the LED while it is on. May cause irreversible damage to the eyes when looking directly into the LED.

Supplier's Declaration of Conformity:
47 CFR § 2.1077 Compliance Information

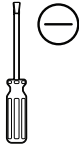
Responsible Party:
Feit Electric Company
4901 Gregg Road,
Pico Rivera, CA 90660, USA
562-463-2852

Unique Identifier:
ST10.5TFL/850/MOT/WH

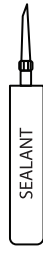
TOOLS REQUIRED



Phillips Screwdriver



Flat Screwdriver

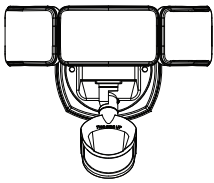


Sealant

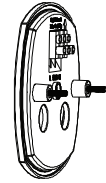
HARDWARE INCLUDED



NOTE: Hardware not shown to actual size.



AA



BB



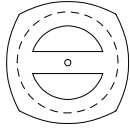
CC



DD



EE



FF



GG



HH



II



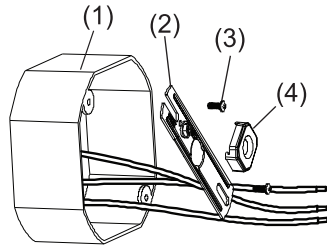
JJ

Part	Description	Quantity
AA	Triple Head Motion Security Flood Light	1
BB	Mounting Plate	1
CC	Mounting Plate Screws	2
DD	Decorative Nuts	2
EE	Decorative Washers	2
FF	Mounting Gasket	1
GG	Spacers	2
HH	Mounting Bar	1
II	Mounting Bar Screw	1
JJ	J-Box Screws	2

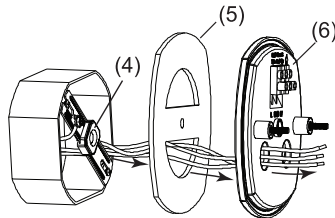
EXTERNAL J-BOX INSTALLATION

1 Turn the main power off at circuit breaker or fuse box.

2 Install the mounting bar (2) to an external j-box (1) using j-box screws (3). If needed, add one of the spacers (4) provided to eliminate gap between mounting bar and mounting plate.

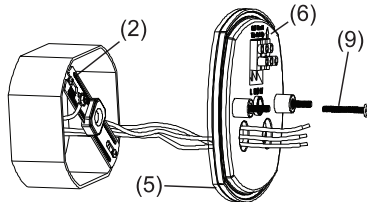


3 Extend and feed the j-box wires through the openings on the mounting gasket (5) and the mounting plate (6).

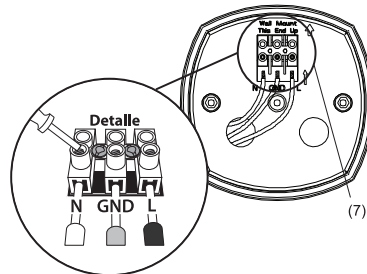


NOTE: Tear away at perforation on mounting gasket (5)

4 Secure the mounting gasket (5) and the mounting plate (6) to the mounting bar (2) using the mounting bar screw (9). Do not over tighten.



5 Connect the power supply wires directly to the terminal block (7). Secure the wires to the terminal block by using a small screwdriver.

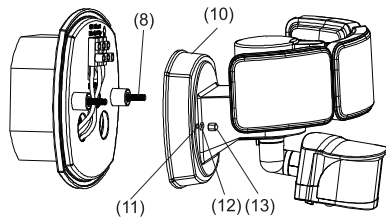


Connect:
Black wire to "L" input.
Ground wire to "GND" input.
White wire to "N" input.

6 Position and align the mounting holes (11) on the fixture body (10) to the mounting plate screws (8). Secure the fixture body to the mounting plate using rubber washers (12) and decorative nuts (13).



NOTE: Ensure the motion sensor is position with "THIS SIDE UP" facing upwards



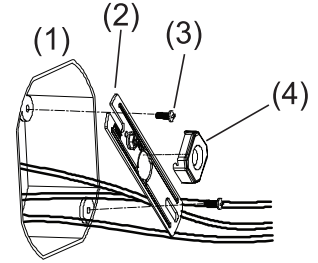
7 Once the fixture is tightly secured to the j-box, apply a silicone sealant around the base of the fixture to prevent moisture from reaching the connections.

8 Turn the power on at circuit breaker or fuse box.

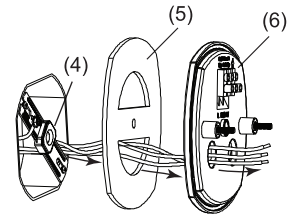
FLUSH J-BOX INSTALLATION

1 Turn the main power off at circuit breaker or fuse box.

2 Install the mounting bar (2) to a j-box (1) using j-box screws (3). If needed, add one of the spacers (4) provided to eliminate gap between mounting bar and mounting plate.

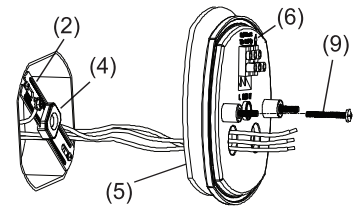


3 Extend and feed the j-box wires through the openings on the mounting gasket (5) and the mounting plate (6).

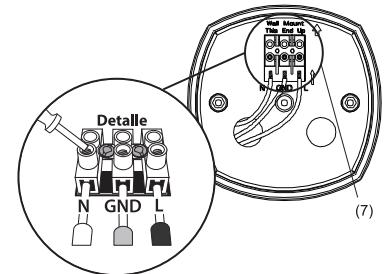


NOTE: Do not tear away at perforation on mounting gasket (5)

4 Secure the mounting gasket (5) and the mounting plate (6) to the mounting bar (2) using the mounting bar screw (9). Do not over tighten.



5 Connect the power supply wires directly to the terminal block (7). Secure the wires to the terminal block by using a small screwdriver.

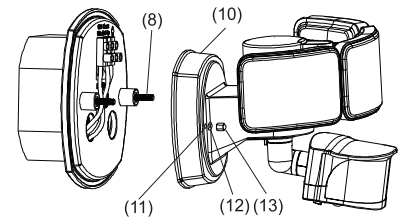


Connect:
Black wire to "L" input.
Ground wire to "GND" input.
White wire to "N" input.

6 Position and align the mounting holes (11) on the fixture body (10) to the mounting plate screws (8). Secure the fixture body to the mounting plate using rubber washers (12) and decorative nuts (13).



NOTE: Ensure the motion sensor is position with "THIS SIDE UP" facing upwards



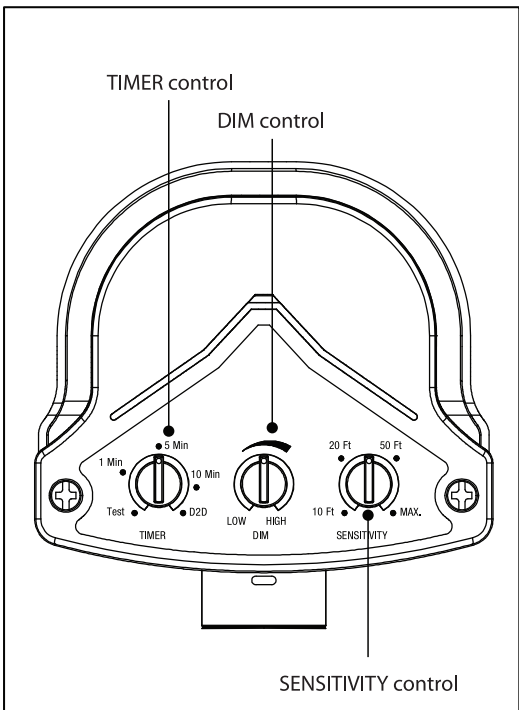
7 Once the fixture is tightly secured to the j-box, apply a silicone sealant around the base of the fixture to prevent moisture from reaching the connections.

8 Turn the power on at circuit breaker or fuse box.

DUSK TO DAWN, MOTION SENSOR AND DIMMING CAPABILITY

The motion sensor on this fixture has a built in Dusk-to-Dawn sensor that automatically disables the Motion sensor during D2D option. A rotary knob (DIM) to control the amount of brightness of the light fixture. The dimming brightness range can be adjusted at any time between 10%-100% .

OPERATING INSTRUCTIONS



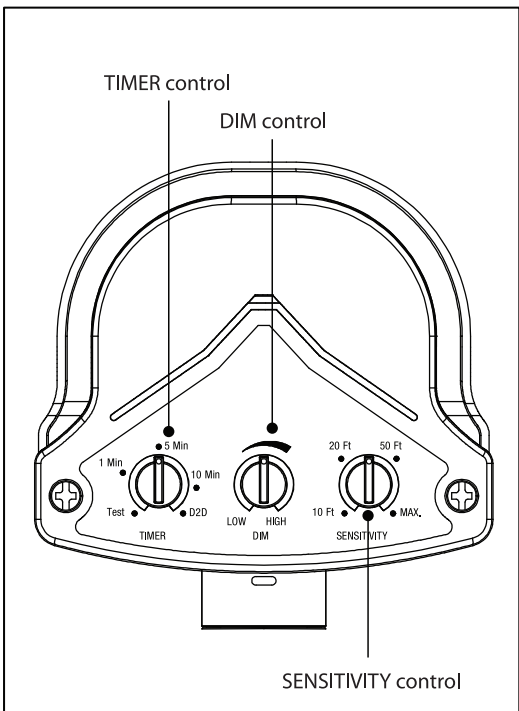
1. The motion sensor's SENSITIVITY must be adjusted before setting the Timer.

Begin by turning the rotary control knob to the "Test" option that is located on the TIMER control knob on the underside of the sensor head. To adjust the fixture, switch the wall switch that controls power to the fixture to the ON position.

During "Test" option mode, the lights will come on for 5 seconds, when motion is detected regardless of the time of day. Leave the rotary control knob in the "Test" option and test the sensitivity by crossing in the path of the sensor between 10 ft. and MAX. Maximum detection range is about 65 ft. The light will come on only if it senses movement. It may be necessary to adjust the "SENSITIVITY" rotary control knob several times until the desired distance setting is achieved. Once sensitivity has been achieved the adjustment is now complete.

2. Once the fixture has been tested for proper Sensitivity, rotate the TIMER rotary control knob into the Timer settings. The timer settings indicate how long the light stays on after the PIR senses motion at night only.
 - Rotating this knob clockwise raises the stay on time of the motion sensor for up to 10 minutes.
 - Rotating the knob counterclockwise shortens the stay on time to as close as 1 minute. It may be necessary to adjust the TIMER rotary knob several times until the desired-ON time is achieved.

NOTE: The higher sensitivity level increases the likelihood of a false activation being triggered. For Maximum range performance, allow the fixture to operate in any setting (with power) for at least 48 hours. The 240-degree coverage of the motion sensor is measured side to side. Therefore, the sensor will better detect motion across the field of view (side-to-side), rather than motion coming straight at the sensor (in-and-out). Adjust the motion sensor head so that it detects motion moving across the cover range area. The position of the sensor head should not exceed 45 degrees from horizontal. Do not aim the Motion sensor at a body of water, bushes or plants that may move in the wind, pedestrian traffic, moving cars, Etc., as this will trigger the motion sensor.



3. If Dusk to Dawn is desired, rotate the TIMER rotary control knob to the "D2D" position, the light turns on at dusk and off at dawn automatically, regardless of the presence of motion. The "D2D" setting ensures lights are non-operational in daylight and only function at night.

NOTE: If the Sensor's arm becomes loose, it will not hold the sensor's head. Tighten the joint screw on the sensor's arm.

MANUAL OVERRIDE OF THE MOTION FUNCTION:

- When power is on, the PIR sensor enters a "warm-up" period for about 30 seconds, then automatically switches into AUTO MODE.
- During AUTO MODE, by switching the main switch OFF for about 1 second then ON, the PIR sensor will automatically change into MANUAL MODE from AUTO MODE. In MANUAL MODE, the lights will remain ON and will NOT be controlled by time duration. The MANUAL MODE will change to AUTO MODE in 8 hours automatically.
- During MANUAL MODE, by switching the main switch OFF over 30 seconds then back ON again, the PIR sensor will reset to the "warm-up" period.

LIGHT OPERATION

MODE	CONTROL KNOB	WALL SWITCH	SENSITIVITY KNOB
Test Mode	Test position	ON	Any setting
Dusk to Dawn Mode	D2D position	ON	Any setting
Timer Mode	Between 1 Min-10 Min	ON	Any setting

ADJUSTING THE LED LAMP HEADS

Adjust each lamp head in a downward direction around 45 degrees. Swivel all 3 LED lamps together or individually right or left with a range around 45 degrees to set lamp heads in a desired direction.

CARE AND MAINTENANCE

- **IMPORTANT:** This fixture uses LEDs (light emitting diodes) to provide light. LEDs do not burn out like traditional light bulbs and will last for 30 years or more (based on 3 hours of usage per day).
- Periodically clean the fixture and diffuser using a mild, non-abrasive cleaner and soft cloth. When cleaning the fixture, make sure the power is turned off. Do not spray cleaner directly onto any part of the fixture or LEDs.

TROUBLESHOOTING

Extreme hot or cold weather could affect the performance of the built-in MOT sensors that detect body heat. Certain winter clothing can shield a person's body heat from the sensor during extreme cold weather. During extreme hot weather, the sensor may not be able to distinguish the difference between normal body temperatures and the surrounding high temperatures. The sensor will begin working normally once weather conditions return to normal.

PROBLEM	POSSIBLE CAUSE	CORRECTIVE ACTION
Light does not come on at night when Motion detected.	<ol style="list-style-type: none"> 1. No power is being delivered to the fixture. 2. Another light source is causing the security light to think it is daylight. 3. Wiring inside electrical box came loose. 	<ol style="list-style-type: none"> 1. Adjust the settings on the Dust-to-Dawn and Motion Sensor. 2. Check that circuit breaker and/or wall switch power is on. 3. Turn off surrounding lights and/or re-aim the sensor head. 4. AFTER turning power off to the fixture, reconnect any loose wiring.
Security light cycles ON and OFF continuously	<ol style="list-style-type: none"> 1. Dusk-to-Dawn sensor is sensing reflected light from the security light. 	<ol style="list-style-type: none"> 1. Change the position of the light head, aim light away from the reflecting surfaces. 2. Relocate the security light to a different location where it no longer causes reflected light.
Security light comes on for no apparent reason at night.	<ol style="list-style-type: none"> 1. Light is sensing motion in the detection zone. 	<ol style="list-style-type: none"> 1. Adjust the settings on the Dust-to-Dawn and Motion Sensor. 2. Make sure the sensor is not picking up moving objects such as bushes, trees, traffic, water, etc. 3. Test the motion sensor by covering up the front curved lens with cardboard to block the view. If the light turns off then something in the detection zone is triggering the sensor. Reposition the motion sensor or change the sensitivity (distance) of the sensor.