

ITEM #81685

Corvino 54" Corner TV Console with Glass Center Door

Hardware List

Leick
Home
SINCE 1910

2219 S. 19th St.

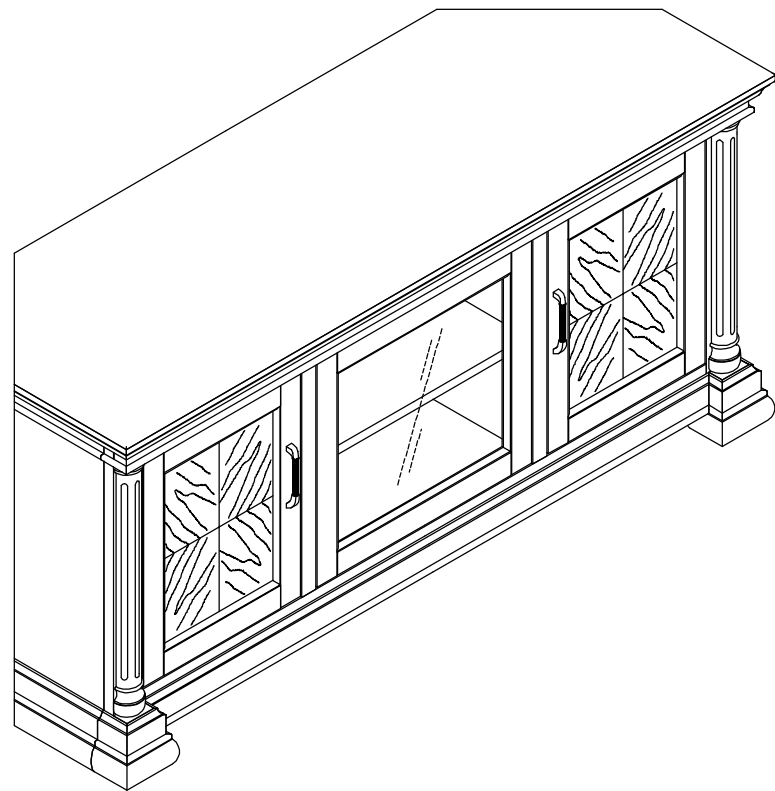
Sheboygan, WI 53081

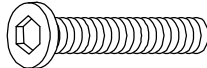
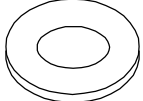

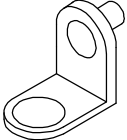

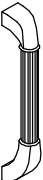
Ph: 920-451-4060

Fax: 920-451-4063

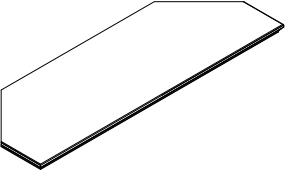
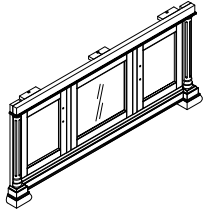

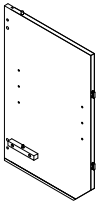
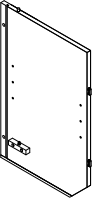
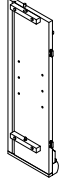
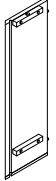
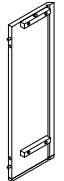
info@leickhome.com

 www.leickhome.com 

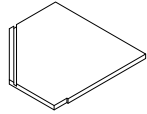
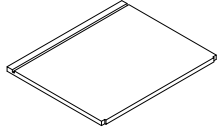
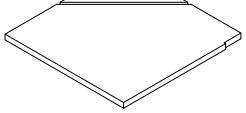
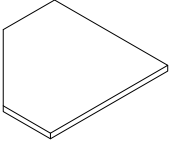
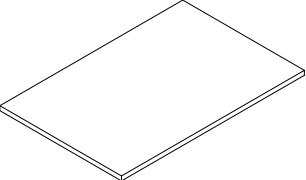
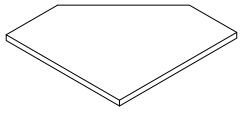
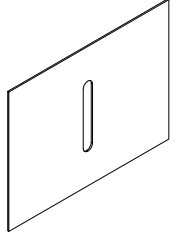
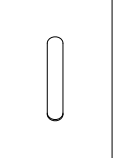


Item	Hardware	Description	Quantity
1		Allen Bolt 1/4"x1-1/8"	11PCS
2		Flat Washer 1/4"x12mm	11PCS
3		Allen Wrench	1PC
4		Shelf Support	12PCS
5		Machine Screw 5/32"x7/8"	4PCS
6		Door Pull	2PCS

Parts List

Item	Part	Description	Quantity
A		Top Panel	1PC
B		Front Frame	1PC
C		Left Side Panel	1PC
D		Left Vertical Partition	1PC
E		Right Vertical Partition	1PC
F		Right Side Panel	1PC
G		Left Back Panel	1PC
H		Right Back Panel	1PC

Parts List

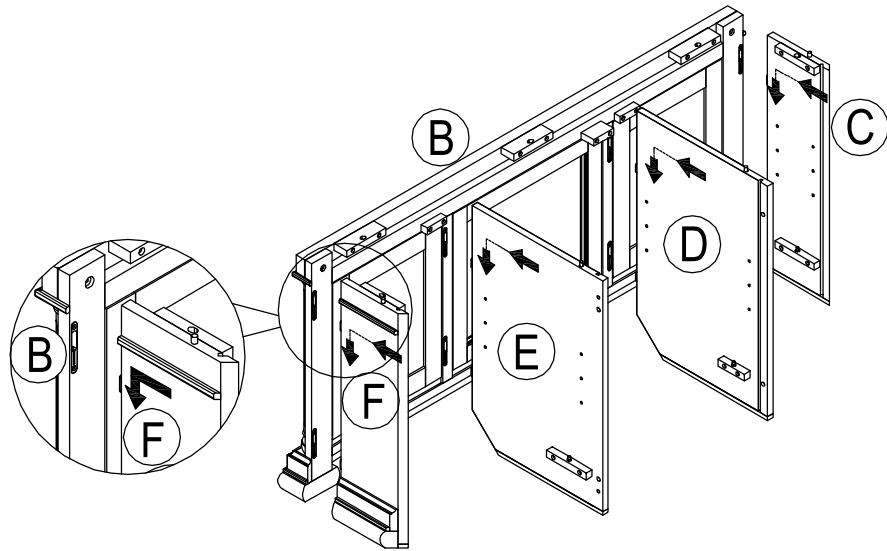
Item	Parts	Description	Quantity
I		Left Bottom Panel	1PC
J		Middle Bottom Panel	1PC
K		Right Bottom Panel	1PC
L		Left Adjustable Shelf	1PC
M		Middle Adjustable Shelf	1PC
N		Right Adjustable Shelf	1PC
O		Middle Back Panel	1PC
P		Side Back Panels	2PCS

Assembly Steps

Two person assembly recommended.

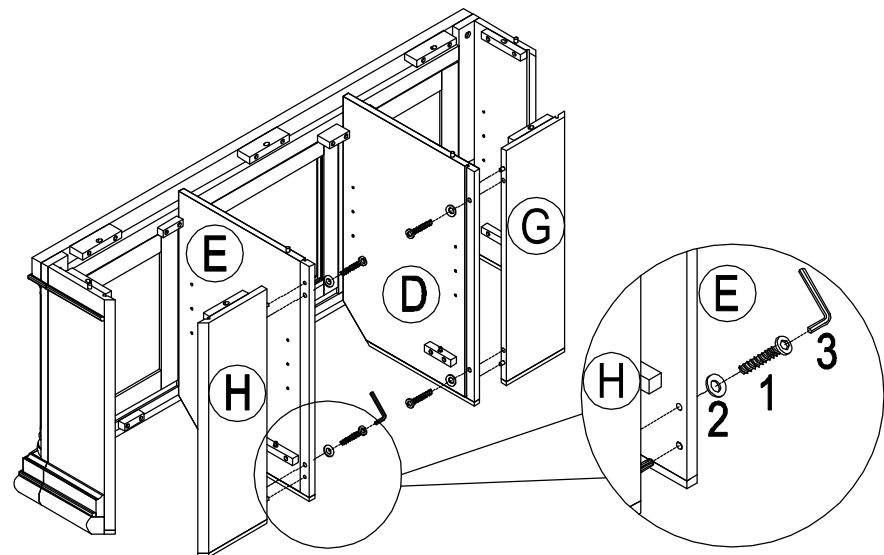
Step 1

Insert the fastening hardware of side panel (F) onto the fastening hardware of front frame (B), push down the side panel (F) to make it tight. Do the same assembly step on parts (E & D & C) .



Step 2

Fasten the Right Back Panel (H) with two bolts on Right Vertical Partition (E) . Do the same thing on the Left Back Panel (G) and Left Vertical Partition (D).



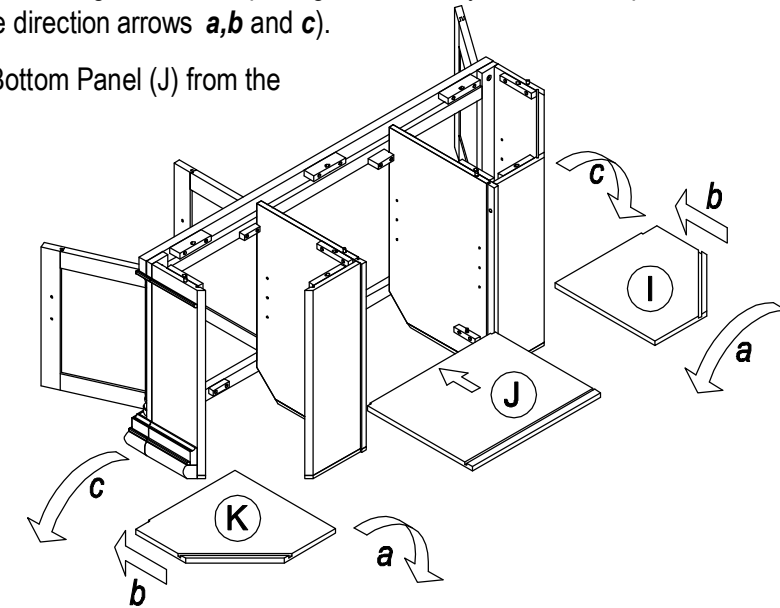
Assembly Steps

Two person assembly recommended.

Step 3

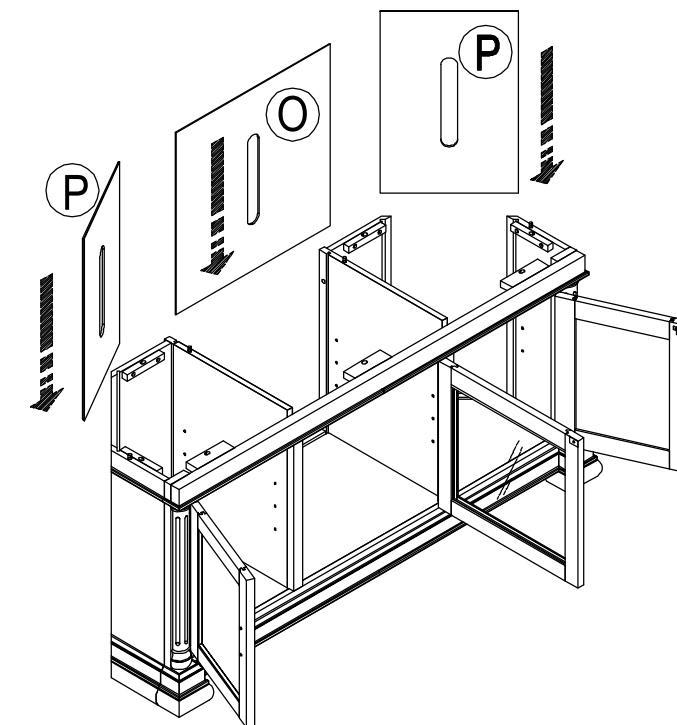
3.1 Open the doors and insert the Side Bottom Panels (I and K) from the back of the unit. Tilt into vertical position to fit through the back opening and carefully return to flat position as it gets fully in to the case (See direction arrows *a, b* and *c*).

3.2 Insert the Center Bottom Panel (J) from the back of the unit.



Step 4

Slide all back panels into the cabinet grooves.

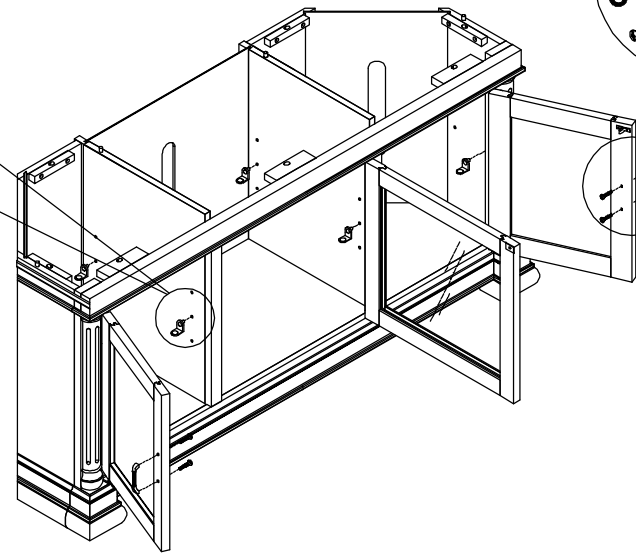
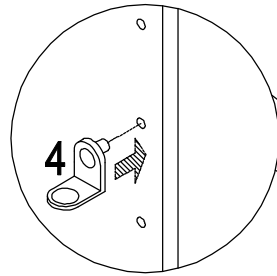


Assembly Steps

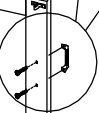
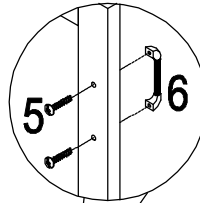
Two person assembly recommended.

Step 5

5.1 Insert the shelf supports into the cabinet.

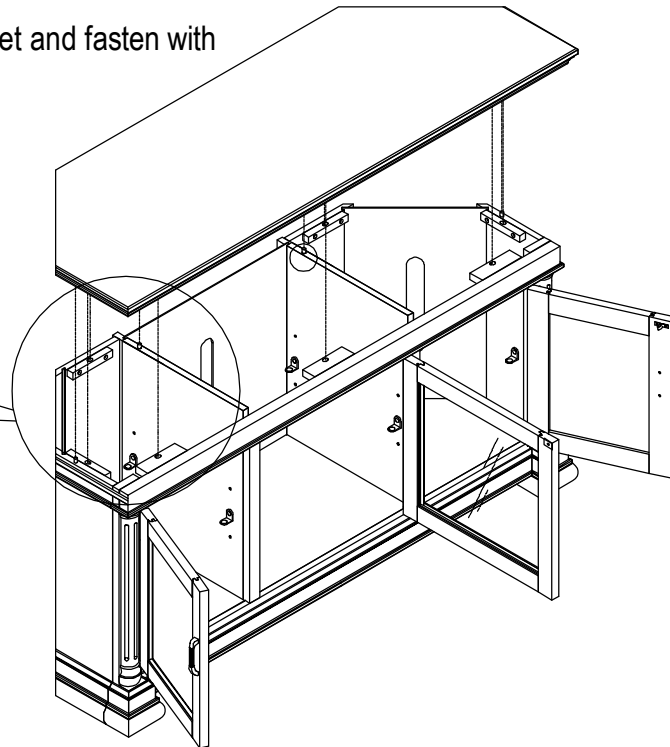
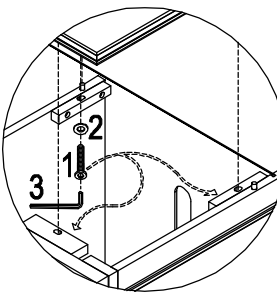


5.2 Install the pulls on doors.



Step 6

Place the Top Panel (A) on cabinet and fasten with Allen Bolts and Washers.



Assembly Steps

Two person assembly recommended.

Step 7

Place all shelves (L, M & N) on shelf supports.

