

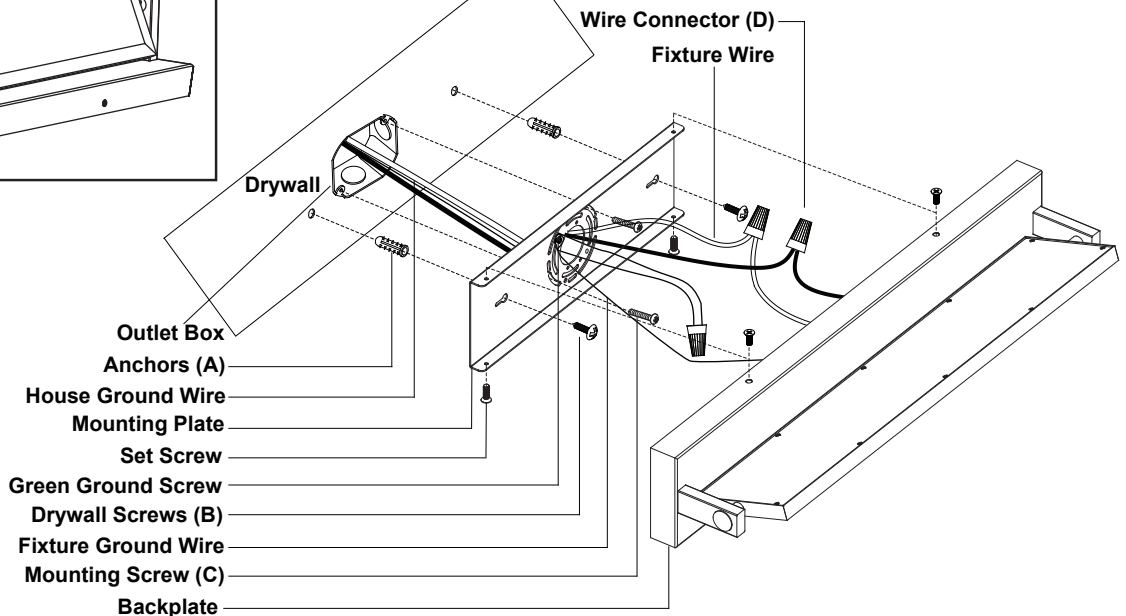
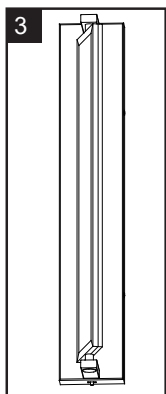
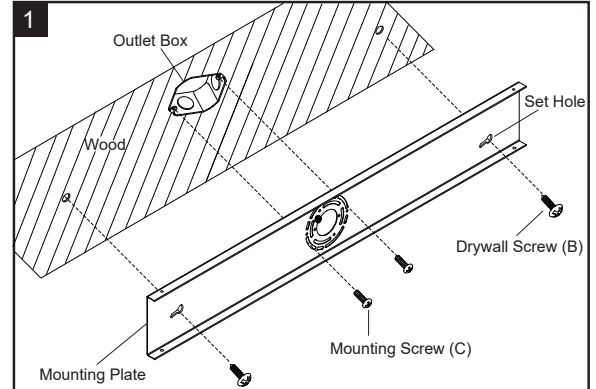
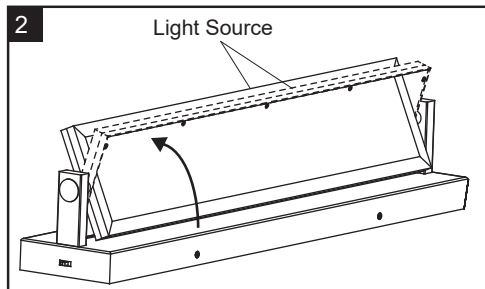
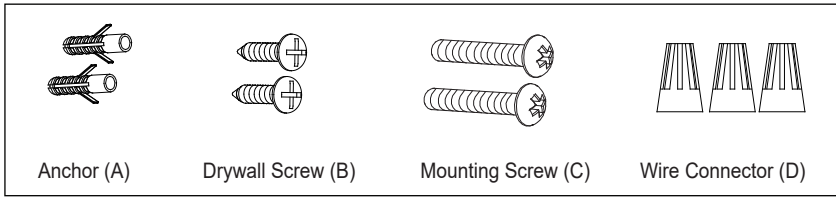
ASSEMBLY AND INSTALLATION INSTRUCTIONS

W0497

WARNING: TO AVOID RISK OF ELECTRICAL SHOCK, BE SURE TO SHUT OFF POWER WHILE INSTALLING OR SERVICING THIS FIXTURE.

NOTES: 1. Before installing, consult local electrical codes for wiring and grounding requirements.
2. Read and save this instruction.

Hardware Package (included):



Installation Steps

Turn off the power at fuse or circuit box.

1. Remove four set screws to separate the mounting plate from backplate.
- 2a. For Mounting to Wood (See Fig.1) :
Attach the mounting plate to the outlet box by using two mounting screws (C), then secure the drywall screws (B) through the set holes to the wall.
- 2b. For Mounting to Drywall:
Place the mounting plate to the outlet box and mark the target on the wall from the set holes for drilling two holes, remove the mounting plate. Drill the holes and thread the anchors (A) into the holes, then attach the mounting plate to the outlet box by using two mounting screws (C). Secure the drywall screws (B) through the set holes into the anchors (A).
3. Pull out the source wires from the outlet box. Make wire connections using wire connectors (D) as follows:
 - Connect the black (hot) wire from the fixture to the black (hot) wire from the power source.
 - Connect the white (neutral) wire from the fixture to the white (neutral) wire from the power source.
 - Attach the fixture ground wire to the mounting plate with the green ground screw, then connect it to the house ground wire with a wire connector (D). If your outlet box does not have a house ground wire, then wrap the fixture ground wire around the green ground screw.Carefully put the wires back into the outlet box.

4. Attach the backplate to the mounting plate by aligning and inserting the four set screws from the open holes of the backplate into the open holes of the mounting plate.

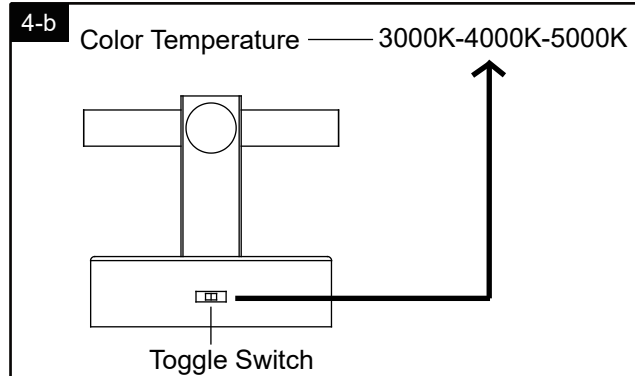
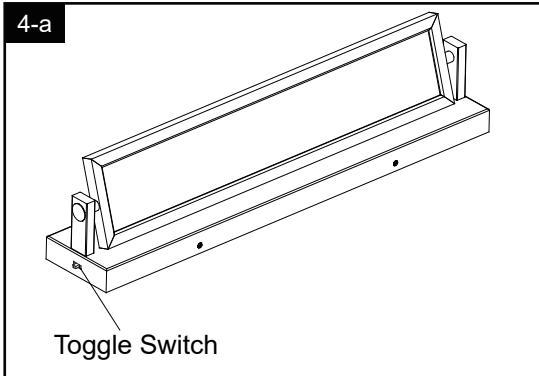
5. The light source plate can be rotated as diagram shown. (See Fig.2)

6. The fixture can be installed horizontally or vertically. (See Fig.3)

Turn on the power at fuse or circuit box.

Adjusting the Correlated Color Temperature (CCT) of the Light

Customize the color temperature of this LED light by using toggle switch (For Reference).



- Move the toggle switch to 3000K, the color temperature will be set at Soft White.
- Move the toggle switch to 4000K, the color temperature will be set at Bright White.
- Move the toggle switch to 5000K, the color temperature will be set at Daylight.

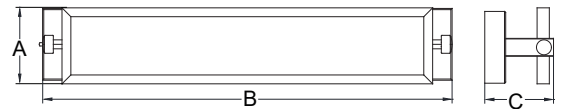
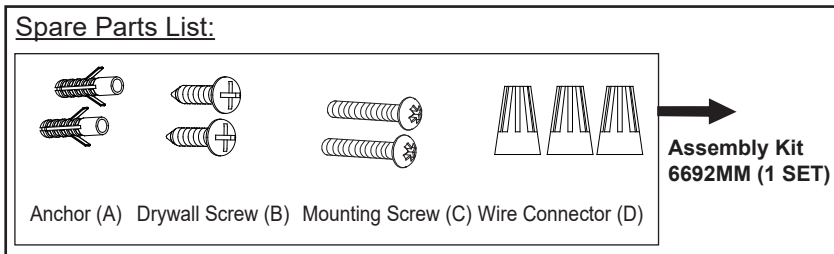
Turn on the power at fuse or circuit box.

Note: Dimming range: 100% full illumination to 10% of full illumination.

This fixture is dimmable with a forward phase electronic dimmer. Dimmers tested to be compatible with this fixture are the Lutron: TGCL-153PH, MACL-153MH, SCL-153P, DVWCL-153PH.

If you are unfamiliar with electrical installations, it is recommended you have a qualified electrician for your installations.

The following parts are available for reorder if damaged or missing.



A: 5" B: 27" C: 4-1/2"

5 Year Limited Warranty

Vaxcel warrants all of our products against defects in workmanship and finishes for one year following the date of shipment.

In addition:

- Any product with an integrated motion sensor or dusk-to-dawn photocell is supported by a 5-year warranty for the functionality of the product.
- Any product with integrated LED modules is covered by a 5-year warranty on the LED functionality.

Exclusions: This warranty does not include the failure of products from extreme acts of nature; environmental conditions not suited for the products intended use; operation in temperatures outside of the range specified in the instruction manual; usage with improper power supply, power surges or dips. For coastal locations, some corrosion is considered normal for the environment.

Vaxcel reserves the right to repair, replace or issue a credit for any properly installed product, provided it is returned per RMA instruction. This warranty is limited to the cost of the product only and does not extend to transportation, installation or replacement costs.

How can warranty service be obtained?

info@vaxcel.com
1-800-482-9235



240808