

homestyles®

5427-691

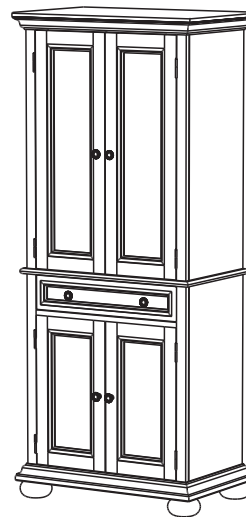
Pantry

IMPORTANT

Carefully remove all the parts from the carton and place them individually on a soft cloth to prevent scratches or other damage.

Carefully and strictly follow these assembly instructions to ensure a completed product as designed.

Do not use power tools above 8 volts to assemble.



Part List



A.
Top
1 pc.



D.
Middle Panel
1 pc.



S.
Shelf
4 pcs.



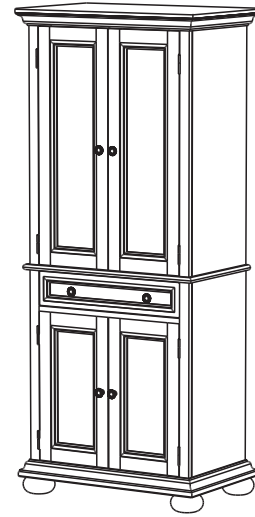
E.
Base
1 pc.



T.
Drawer
1 pc.
Refer to 5427-692
instructions for drawer assembly.

For assembly see instructions in carton 5427-692.

homestyles Customer Service: www.homestylesfurniture.com,
servicedesk@homestylesfurniture.com, 888-680-7460



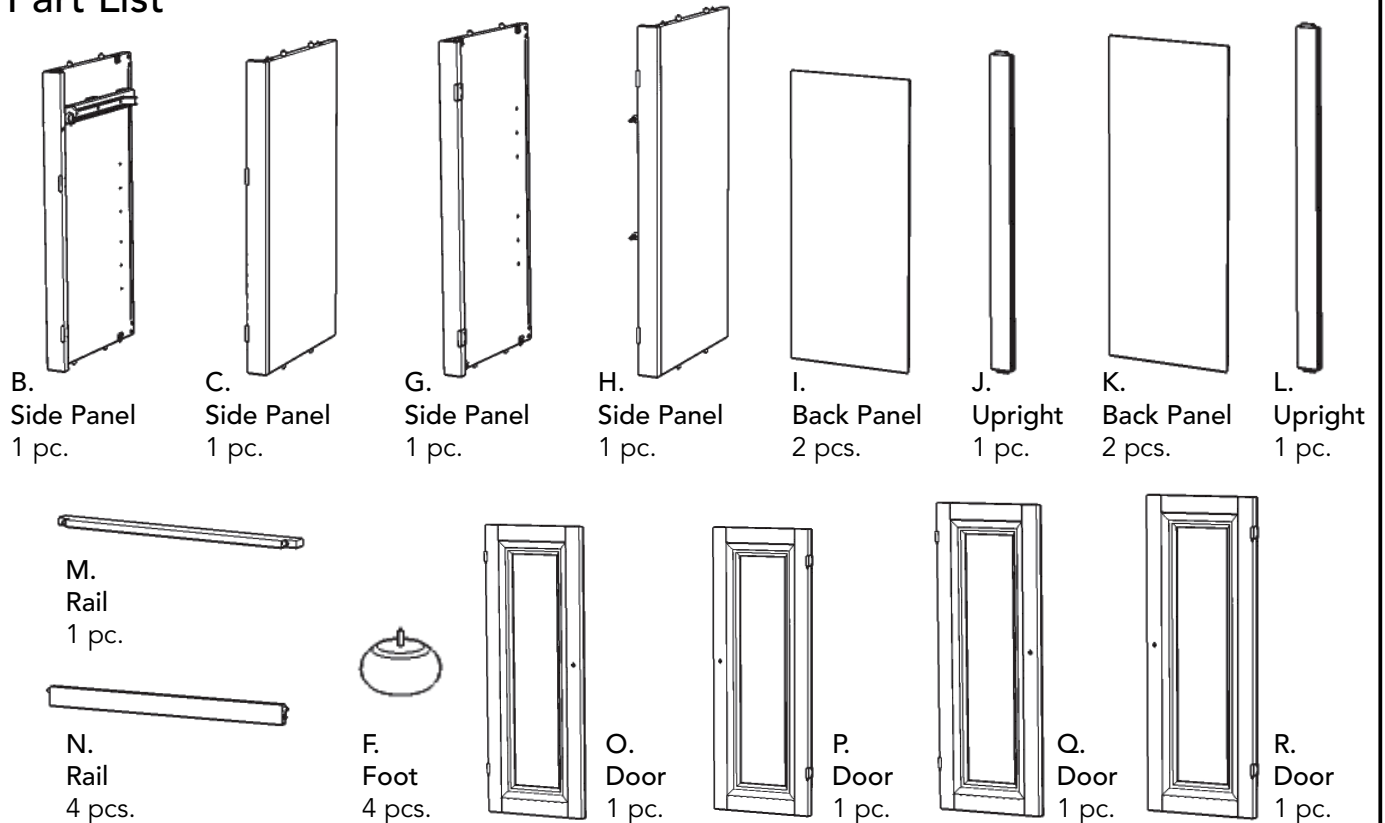
IMPORTANT

Carefully remove all the parts from the carton and place them individually on a soft cloth to prevent scratches or other damage.

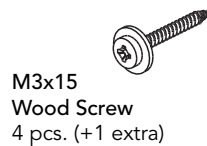
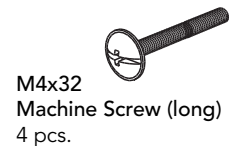
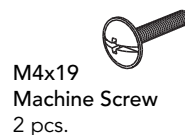
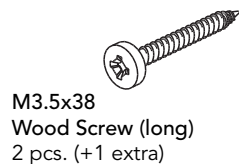
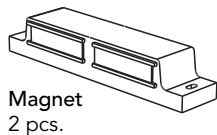
Carefully and strictly follow these assembly instructions to ensure a completed product as designed.

Do not use power tools above 8 volts to assemble.

Part List



Hardware List



Carton 5427-691 is also needed for assembly.

Tool(s) required for assembly: Phillips screwdriver, Level, Drill (8 volts or less), 3/8" Drill Bit

homestyles Customer Service: www.homestylesfurniture.com,
 servicedesk@homestylesfurniture.com, 888-680-7460

Assembly Instructions 2/7

IMPORTANT

- Use a soft cloth between these parts and the floor.
- Do not use power tools above 8 volts to assemble.
- Do not tighten all the screws until each part is properly assembled.
- The unit must be level to work properly. Use the included adjustable levelers to level.
- Keep Hex Wrench as the bolts may need to be tightened in the future.

STEP 1

Attach Rail (N) to Side Panel (B), then flip Lock. (See Figures 1 and 2)

Slide Back Panel (I) into position.

Attach Upright (J) to unit.

Slide Back Panel (I) into position.

Attach Rail (N) to unit, then flip Lock.

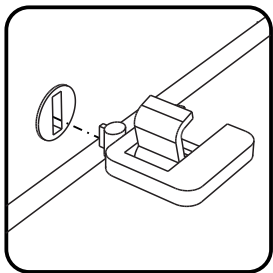
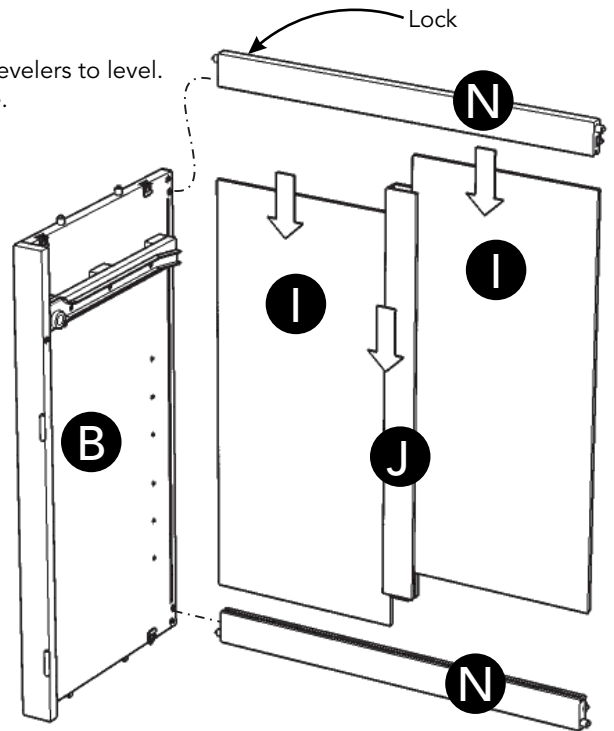


Figure 1

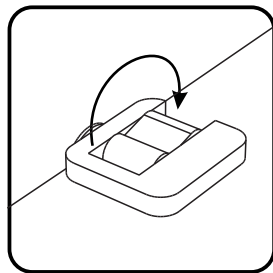


Figure 2

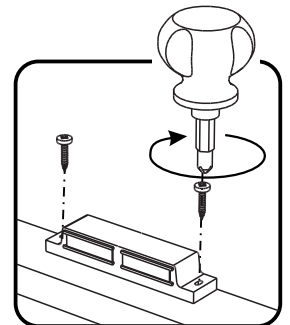
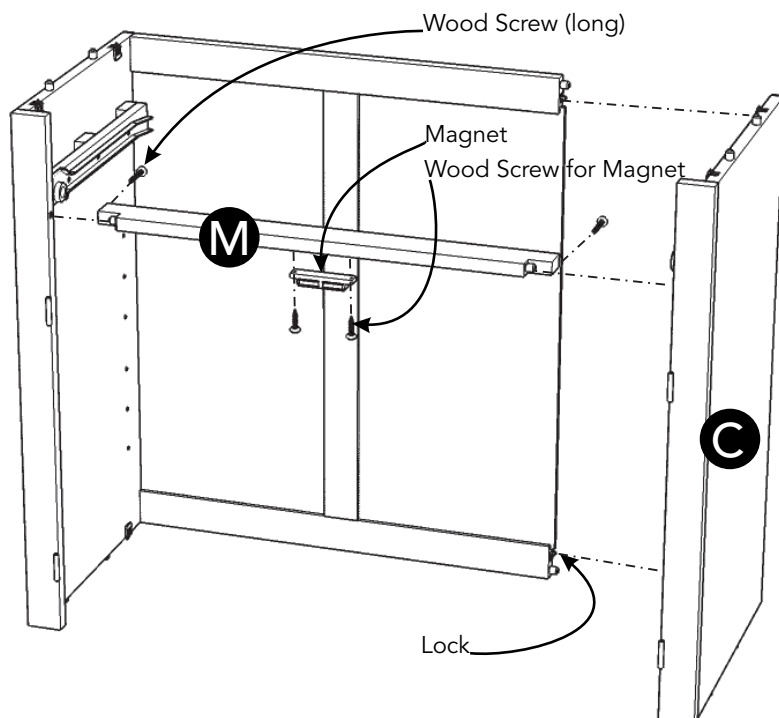


Figure 3



STEP 2

Attach Magnet to Rail (M) with Wood Screws for Magnet into pre-drilled holes. (See Figure 3)

Attach Rail (M) to unit with Wood Screw (long).

Attach Side Panel (C) to unit, then flip Locks.

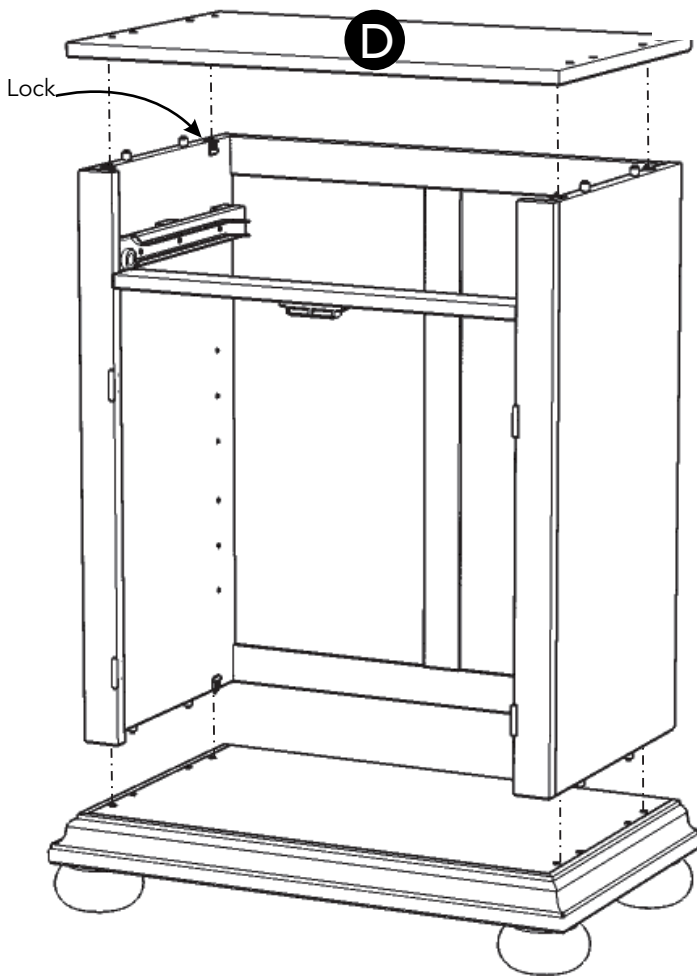
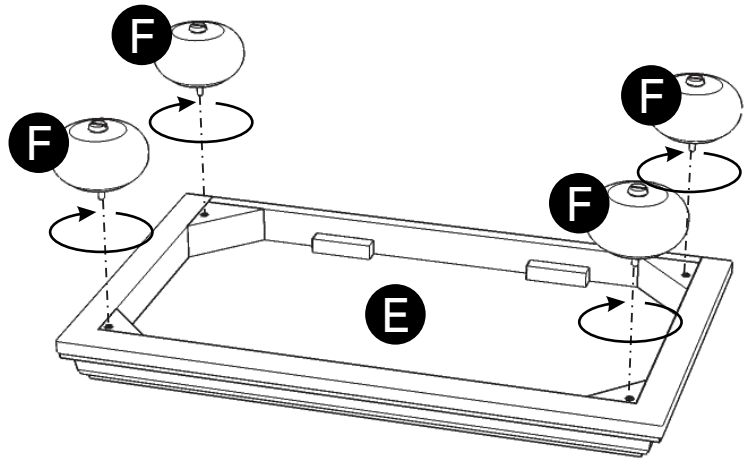
Insert Wood Screw (long) into pre-drilled hole in unit, then tighten.

Assembly Instructions 3/7

STEP 3

Place Base (E) upside down on a soft cloth.

Attach Feet (F) to Base (E).



STEP 4

Turn over base unit to its upright position.

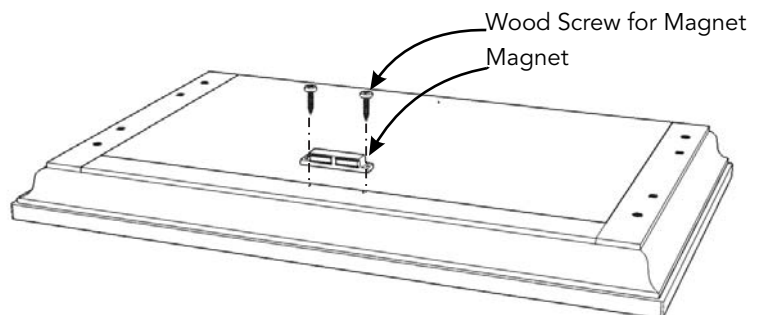
Attach unit from Step 2 to base unit,
then flip Locks.

Attach Middle Panel (D) to unit, then flip Locks.

STEP 5

Place Top (A) upside down on a soft cloth.

Attach Magnet to Top (A) with Wood Screws for Magnet
into pre-drilled holes.



STEP 6

Attach Rail (N) to Side Panel (G), then flip Lock.

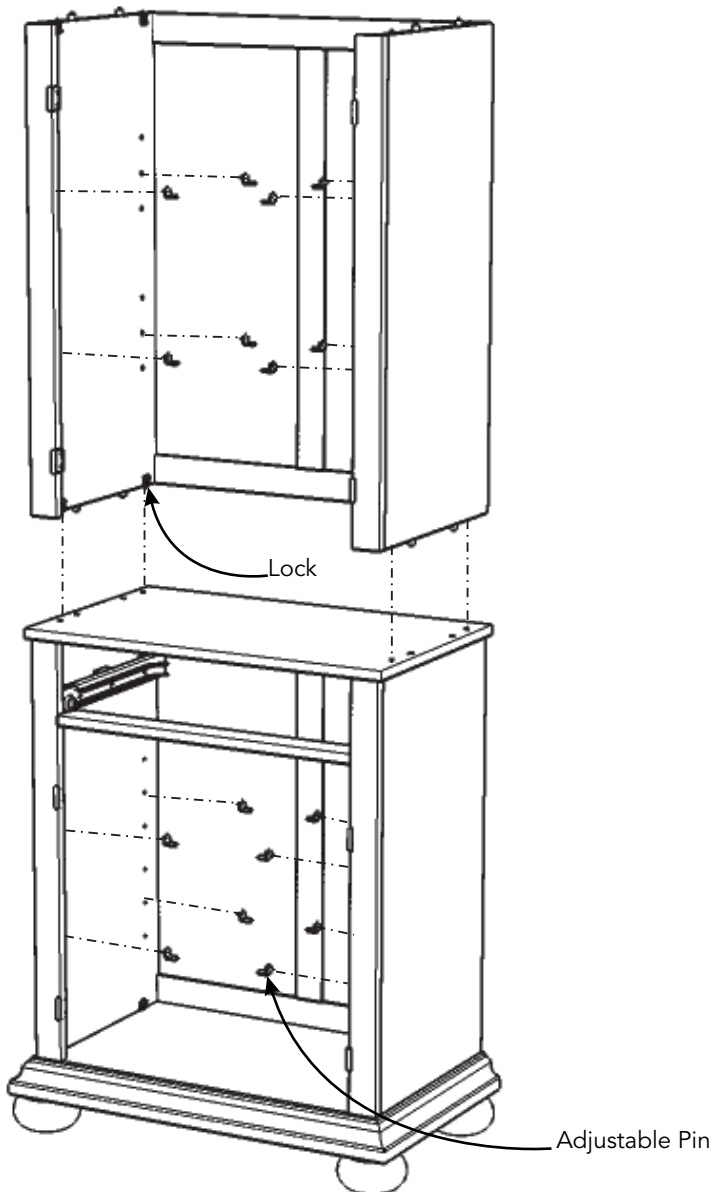
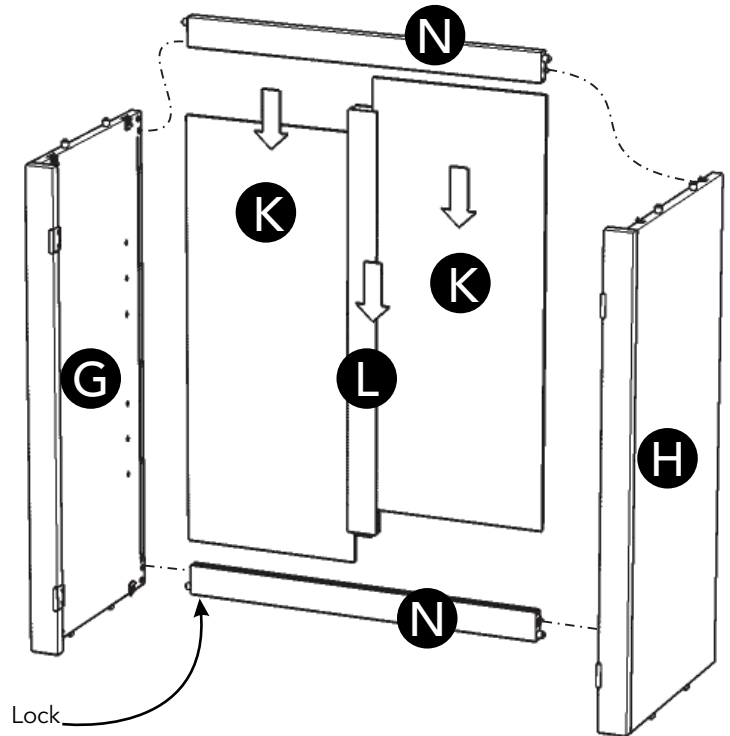
Slide Back Panel (K) into position.

Attach Upright (L) to unit.

Slide Back Panel (K) into position.

Attach Rail (N) to unit, then flip Lock.

Attach Side Panel (H) to unit, then flip Locks.



STEP 7

Attach unit from Step 5 to unit from Step 4, then flip Locks.

Insert Adjustable Pins into side panels at desired level.
(See Figure 4)

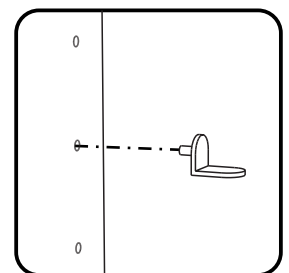
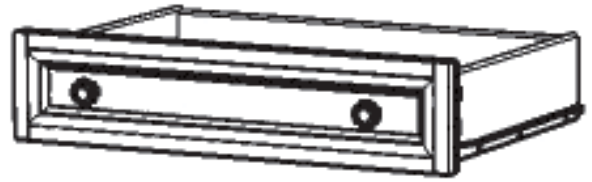


Figure 4

Assembly Instructions 5/7

Drawer (T)



STEP 8

Attach Drawer Sides (T3) and (T4) to Drawer Back (T2), then flip Locks. (See Figures 5 and 6)

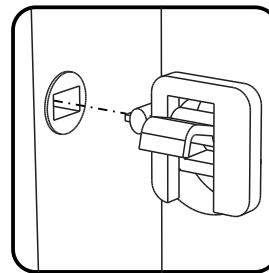
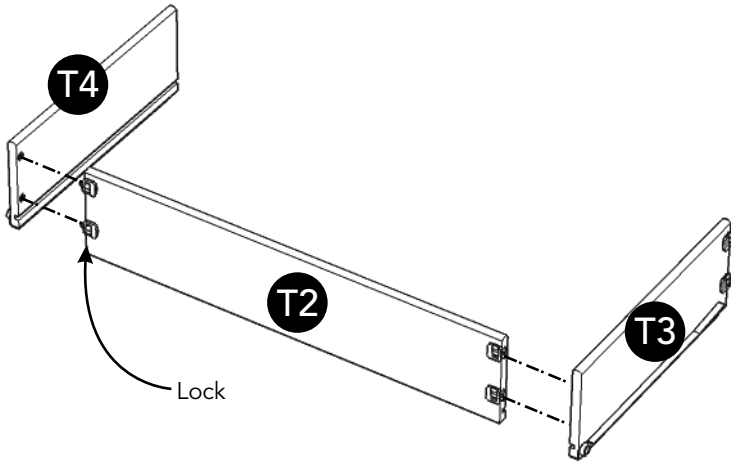


Figure 5

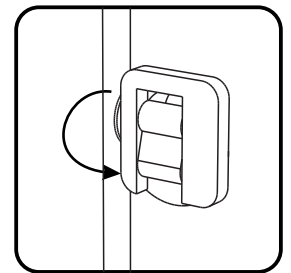
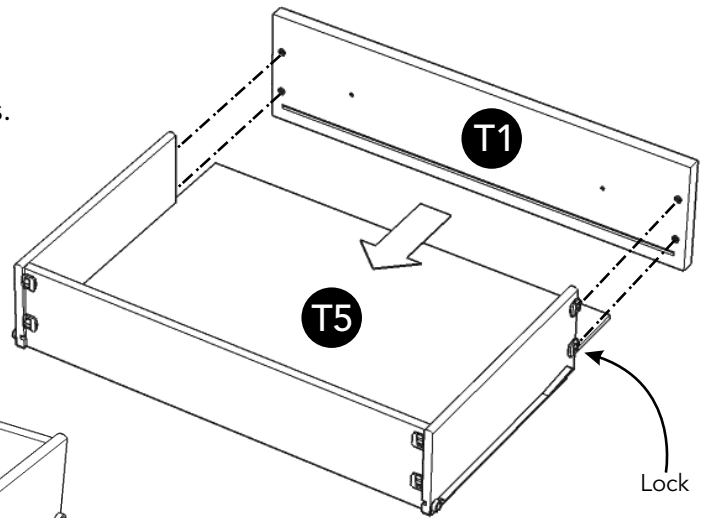
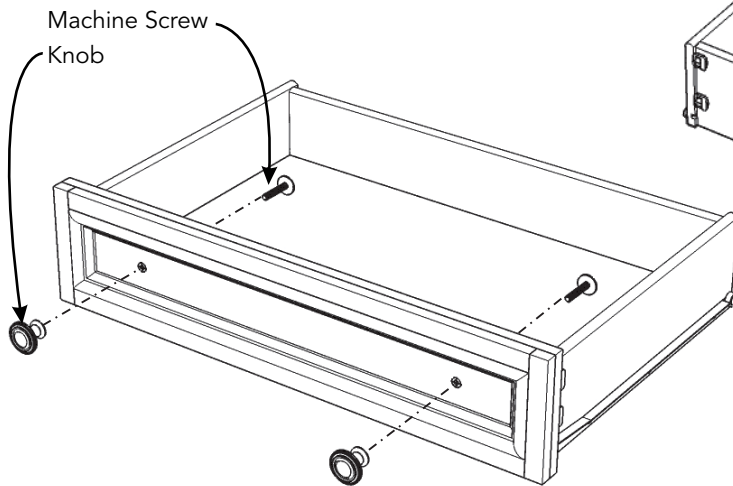


Figure 6

STEP 9

Slide Drawer Bottom (T5) into groove.

Attach Drawer Front (T1) to unit, then flip Locks.



STEP 10

Attach Knobs with Machine Screws.

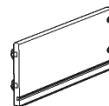
Part List



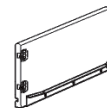
T1.
Drawer Front
1 pc.



T2.
Drawer Back
1 pc.



T3.
Drawer Side
1 pc.



T4.
Drawer Side
1 pc.



T5.
Drawer Bottom
1 pc.

Assembly Instructions 6/7

STEP 11

Place Shelves (S) into position.

Attach Doors (O), (P), (Q) and (R) to unit by sliding door hinges into side panel hinges. (See Figure 7)

Attach Knobs to Doors (O), (P), (Q) and (R) with Machine Screws (long).

Attach Top (A) to unit, then flip Locks.

Slide Drawer (T) into position.

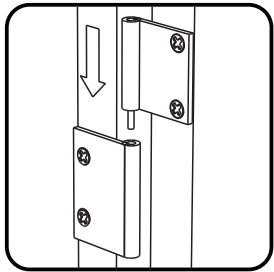
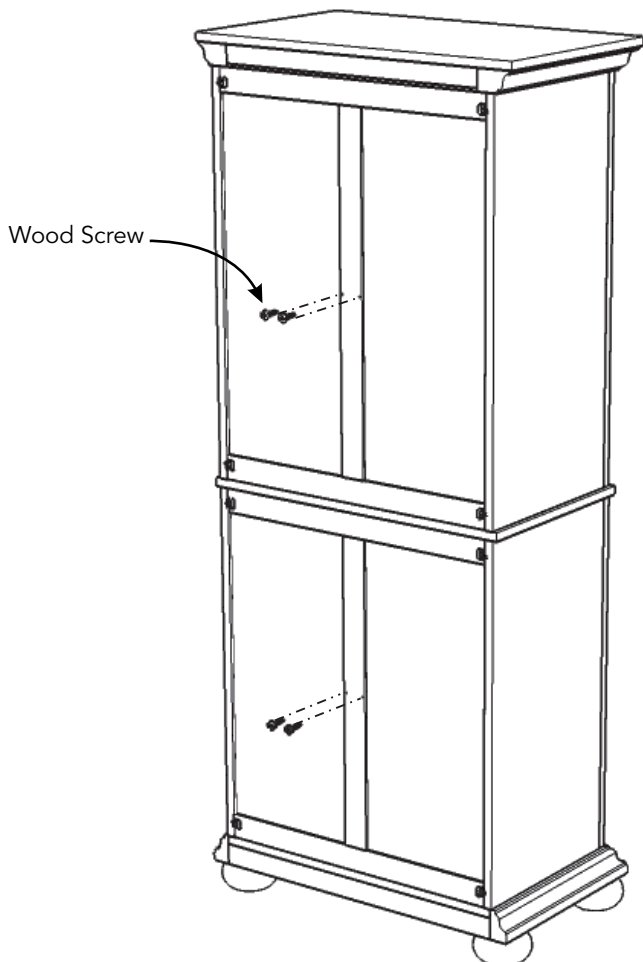
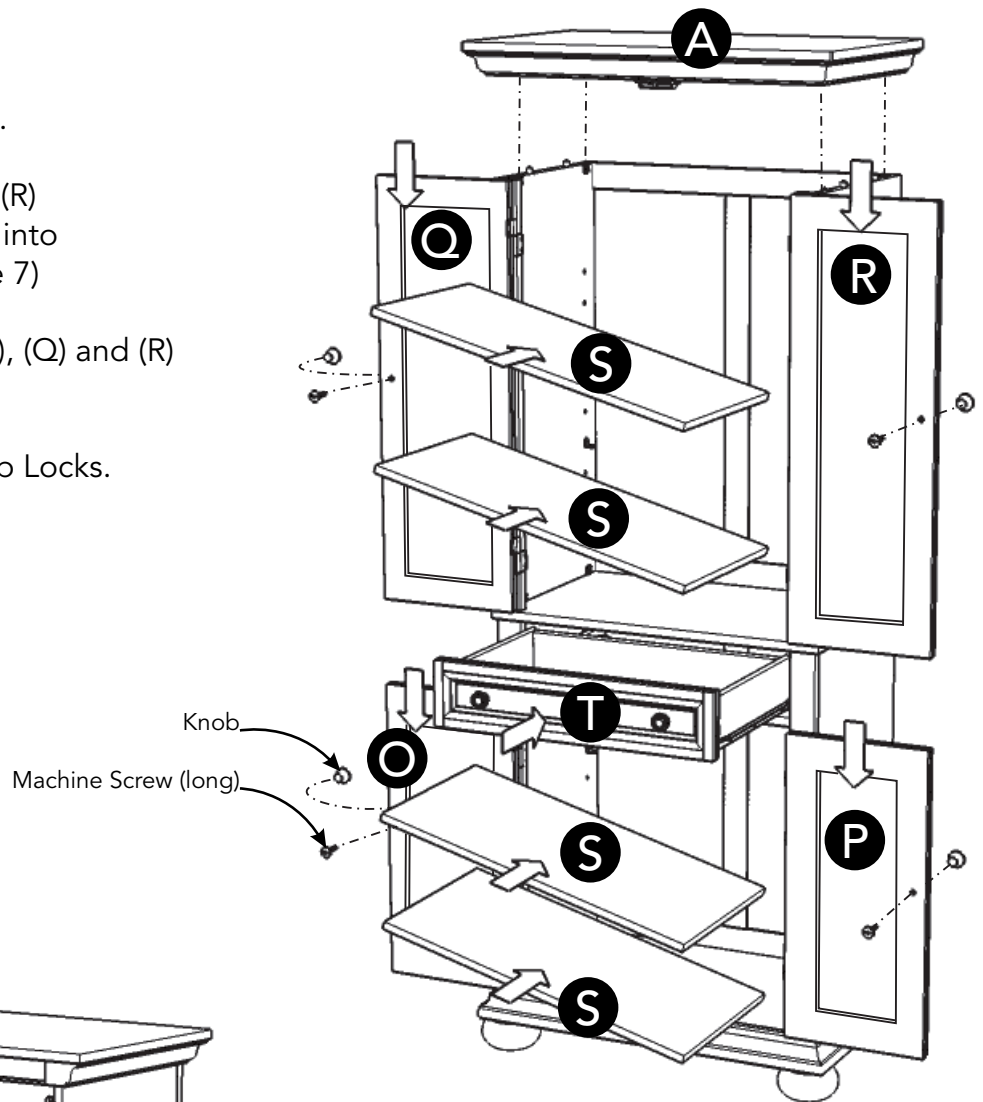


Figure 7



STEP 12

Level unit by adjusting the adjustable levelers on bottom of unit. (See Figure 8)

Insert Wood Screws into pre-drilled holes in unit, then tighten.

Note: Unit must be level before tightening these screws.

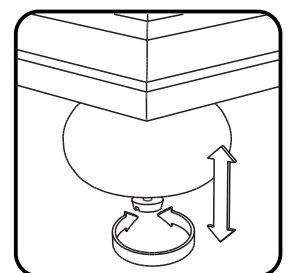


Figure 8

Assembly Instructions 7/7

IMPORTANT

- To help reduce the risk of the unit tipping over, the Tipover Restraint must be installed following these instructions exactly.

STEP 13

Place unit at desired location.

Drill a 3/8" hole in wall in-line with the pre-drilled hole at top of unit.

Move unit.

Insert Anchor into the wall hole and attach Bracket with Wall Screw.

Attach Bracket at pre-drilled hole at top of unit with Wood Screw.

Move unit back into place.

Slide Tipover Restraint through Bracket on wall and Bracket on unit.
(See Figure 9)

Put tie end of Tipover Restraint into lock end of Tipover Restraint and pull until tight.

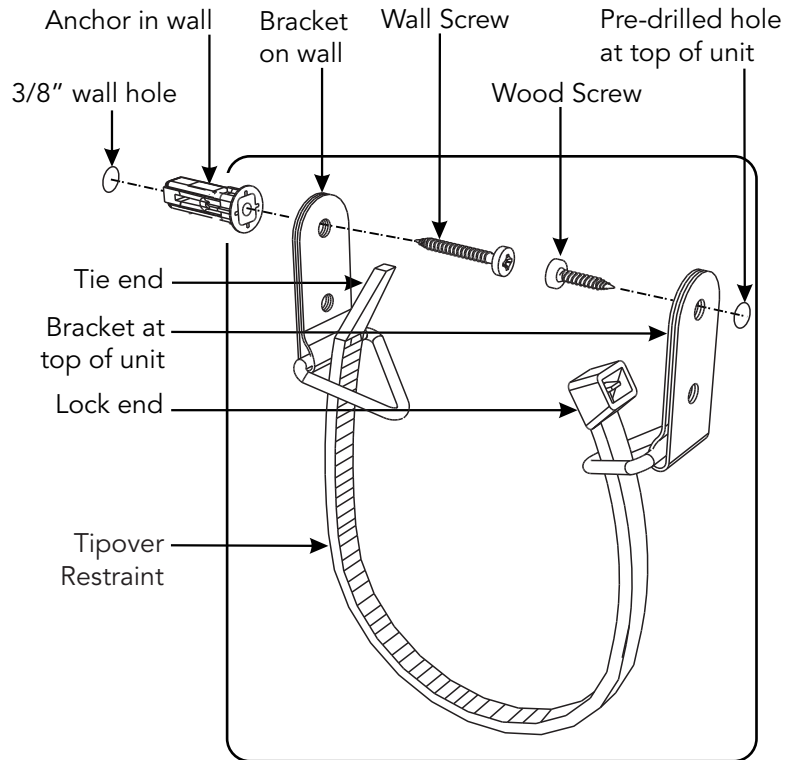
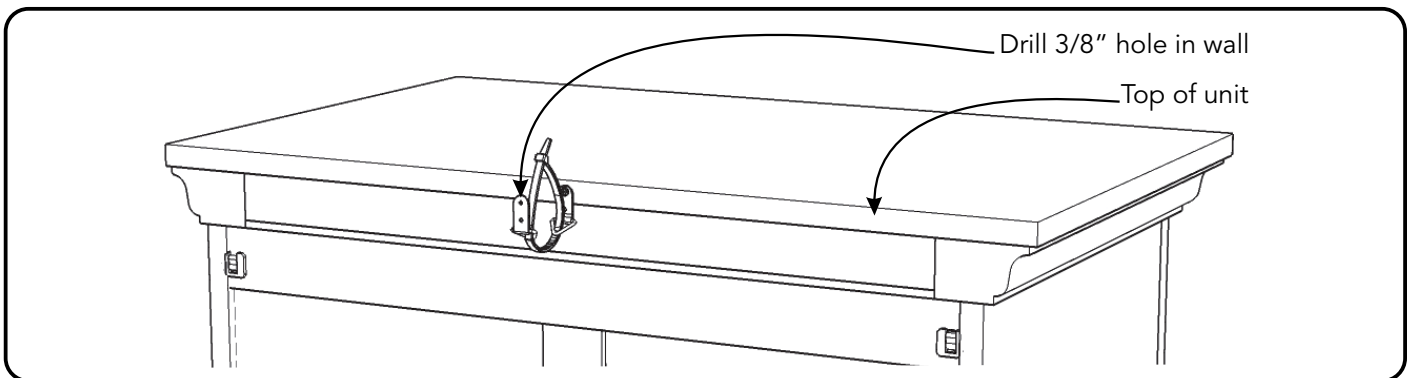
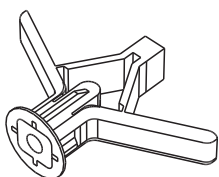


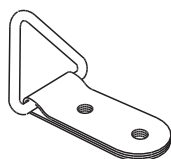
Figure 9



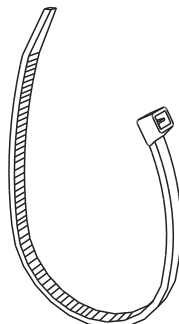
Hardware List



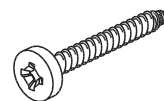
Anchor
1 pc. (+1 extra)



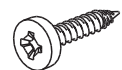
Bracket
2 pcs. (+1 extra)



Tipover Restraint
1 pc. (+1 extra)



M3.5x40
Wall Screw
1 pc. (+1 extra)



M3.5x16
Wood Screw
1 pc. (+1 extra)

CARE INSTRUCTIONS

NEVER

allow liquids to remain on furniture.
Absorption causes parts to warp
and split and finishes to delaminate.

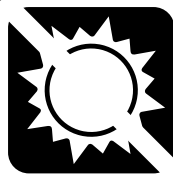
NEVER

use glass cleaners on
finished furniture. Ammonia
chemically attacks the finish.



Do not use power tools
above 8 volts to assemble.

**PREVENT
CRACKING**



Do not place
in direct sunlight.

**PREVENT
FADING**



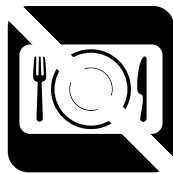
Do not write
directly on surface.

**PREVENT
MARKING**



Do not place hot
objects on surface.

**PREVENT
FINISH DAMAGE**



Do not use rubber
based placemats.

**PREVENT
DISCOLORING**



Do not use commercial
waxes and polishes.

**PREVENT
YELLOWING**

CLEAN

with a soft cloth moistened
in lukewarm soap and water.
Buff with a dry clean cloth.



homestyles will provide replacements free of charge for missing or damaged parts within 30 days of purchase. Digital images of the defective parts may be required. If the product was not purchased from an authorized retailer, **homestyles** is under no obligation to provide replacement parts. Parts are not available for fully assembled items nor are parts available for sale. Replacements for missing or damaged parts may be requested via contact info below.

homestyles Customer Service: www.homestylesfurniture.com,
servicedesk@homestylesfurniture.com, 888-680-7460