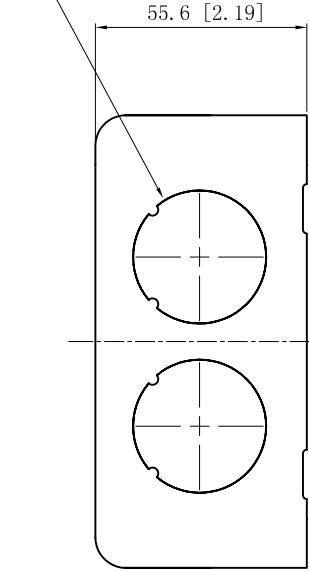


<b>SIDES</b>	<b>BOTTOM</b>
8 1" KNOCKOUTS	6 KNOCKOUTS
	3 1/2" KNOCKOUTS
	2 3/4" KNOCKOUTS
1 Pcs #10-32x3/8 screw install	
Material: Steel-0.0625"-G60 Galvanized	

4x1" KNOCKOUTS  $\phi=35.00$  [ $\phi=1.378$ ]  
MIRROR

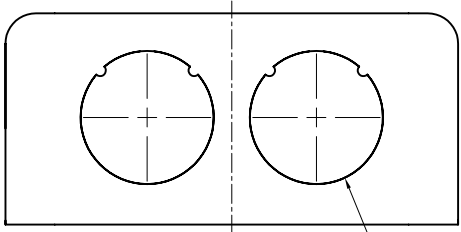


2x3/4" KNOCKOUTS  $\phi=28.50$  [ $\phi=1.122$ ]

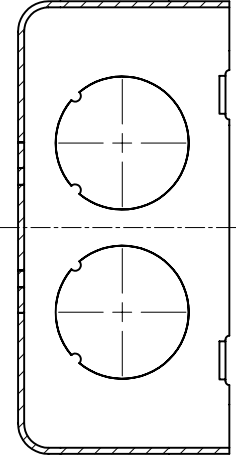
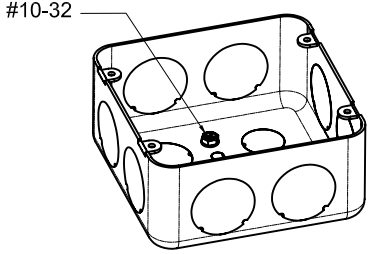
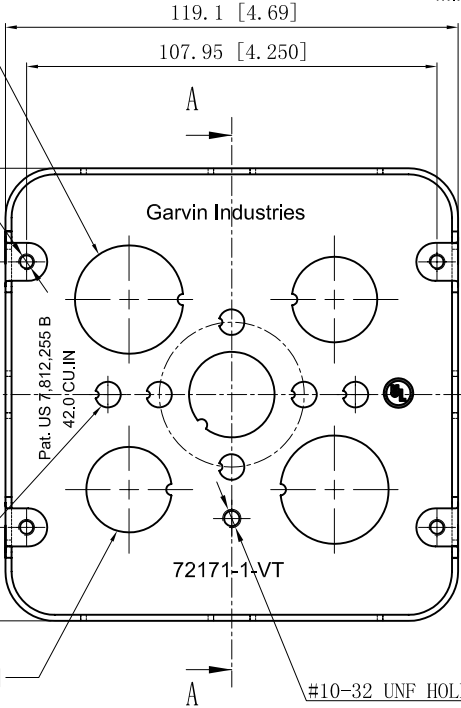
4-#8-32 UNC HOLE

6x KNOCKOUTS  $\phi=6.75$  [ $\phi=0.267$ ]

3x1/2" KNOCKOUTS  $\phi=22.50$  [ $\phi=0.886$ ]



4x1" KNOCKOUTS  $\phi=35.0$  [ $\phi=1.378$ ]  
MIRROR



CUTAWAY VIEW A-A

<b>DESCRIPTION</b>
Patent #: Pat. US 7,812,255 B
<b>TRADE REFERENCE TERMS</b>

<b>STANDARD PACKING</b>
25 PCS

This data sheet is for reference only. GARVIN INDUSTRIES reserves the right to make changes to the design without prior notice.

<b>GARVIN INDUSTRIES</b>		
TITLE 4-11/16" SQUARE "DRAWN" BOXES (2-1/8" DEEP)		
SIZE A4	DWG NO. 72171-1-VT	REV F
DATA SHEET		