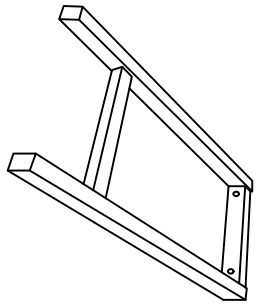
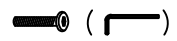


A 1PC

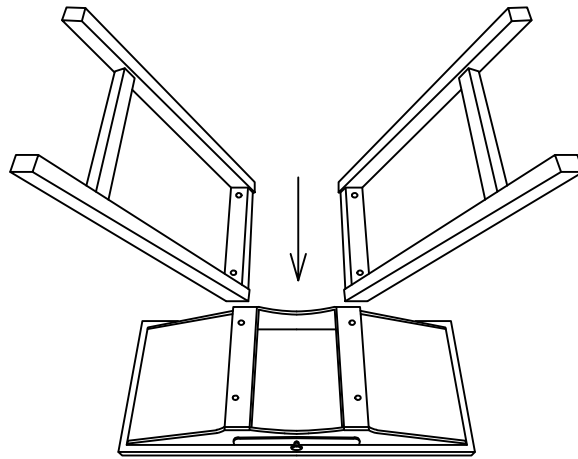


B 2PCS



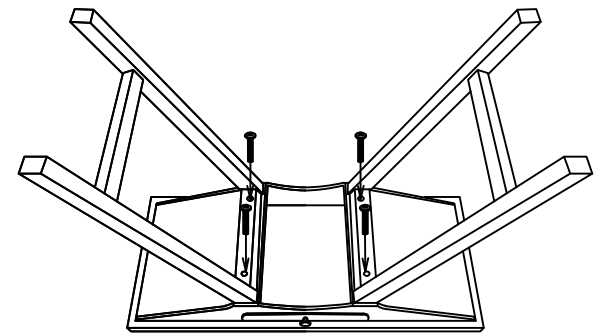
C 4PCS

B



A

STEP1



Completion