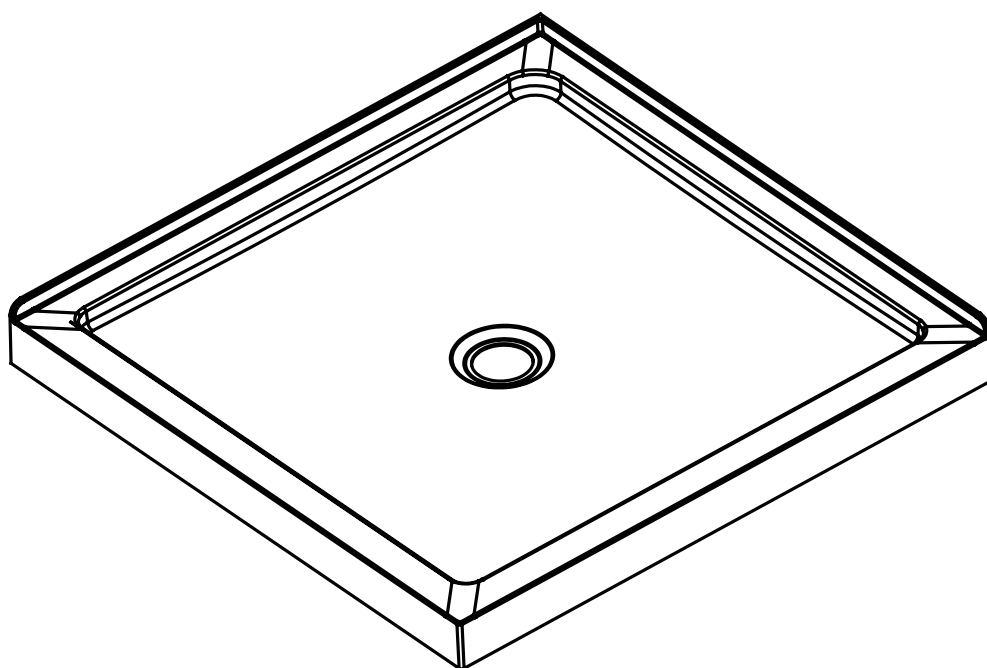


ANZZI™

SHOWER BASE INSTALLATION & CARE GUIDE



FOR MODELS

SB-AZ005WN • SB-AZ005WO • SB-AZ006WN • SB-AZ007WL • SB-AZ007WR • SB-AZ007WC • SB-AZ008WL • SB-AZ008WR • SB-AZ009WC •
SB-AZ009WD • SB-AZ009WH • SB-AZ010WN • SB-AZ011WC • SB-AZ011WO • SB-AZ012WL • SB-AZ012WR • SB-AZ013WL • SB-AZ014WC • SB-AZ015WV •

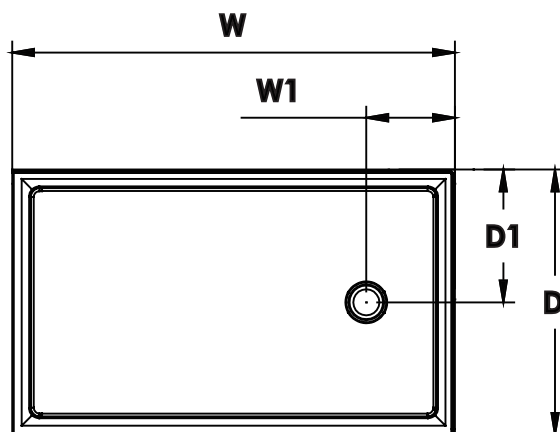
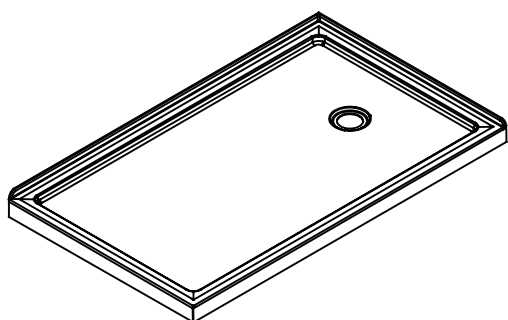
If you have any questions please don't hesitate to call us at 1-844-44-ANZZI or visit us online at www.ANZZI.com

SPECIFICATION

DOUBLE THRESHOLD SHOWER BASE

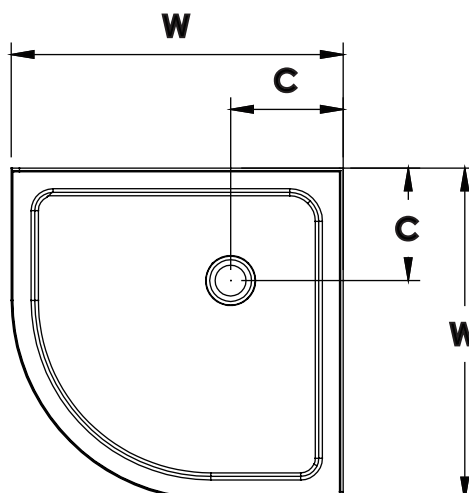
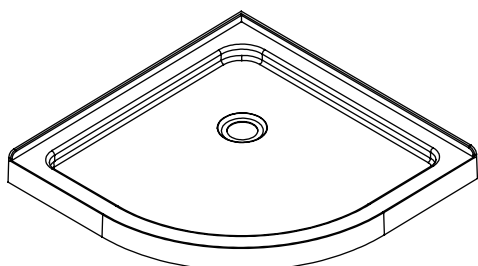
Left/Right-Hand drain configuration

| Model | Dimensions | D (in) | W (in) | D1 (in) | W1 (in) |
|------------|------------|--------|--------|---------|---------|
| SB-AZ008WR | 60"x36" | 36" | 60" | 18" | 12" |
| SB-AZ012WR | 60"x36" | 36" | 60" | 18" | 4.72" |
| SB-AZ008WL | 60"x36" | 36" | 60" | 18" | 12" |
| SB-AZ012WL | 60"x36" | 36" | 60" | 18" | 4.72" |
| SB-AZ013WL | 60"x32" | 32" | 60" | 16" | 4.72" |
| SB-AZ007WL | 60"x36" | 36" | 60" | 18" | 12" |
| SB-AZ007WR | 60"x36" | 36" | 60" | 18" | 12" |
| SB-AZ007WC | 60"x36" | 36" | 60" | 18" | 30" |



QUARTER ROUND SHOWER BASE

| Model | Dimensions | W (in) | C (in) |
|------------|------------|--------|--------|
| SB-AZ005WN | 36"x36" | 36" | 12.2" |
| SB-AZ006WN | 38"x38" | 38" | 12" |
| SB-AZ005WO | 36"x36" | 36" | 12.2" |

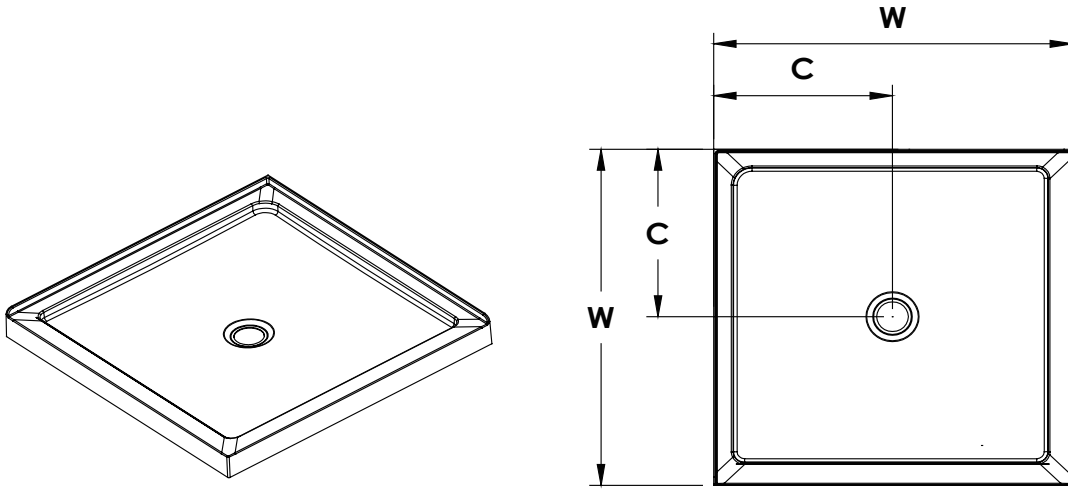


SPECIFICATION

SQUARE SHOWER BASE

Center Drain Configuration

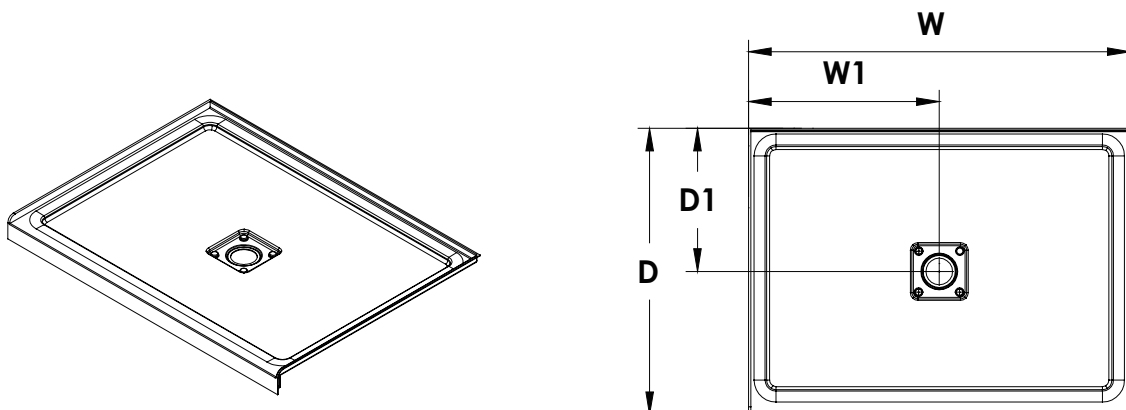
| Model | Dimensions | W (in) | C (in) |
|------------|------------|--------|--------|
| SB-AZ009WC | 36"x36" | 36" | 18" |
| SB-AZ010WN | 38"x38" | 38" | 19" |
| SB-AZ009WD | 36"x36" | 36" | 12" |
| SB-AZ009WH | 36"x36" | 36" | 18" |



SINGLE THRESHOLD SHOWER BASE

Center drain configuration

| Model | Dimensions | D (in) | W (in) | D1 (in) | W1 (in) |
|------------|------------|--------|--------|---------|---------|
| SB-AZ011WC | 48"x36" | 36" | 48" | 18" | 24" |
| SB-AZ014WC | 60"x36" | 36" | 60" | 4.05" | 30" |
| SB-AZ015WV | 48"x32" | 32" | 48" | 15.87" | 9.06" |
| SB-AZ011WO | 48"x36" | 36" | 48" | 18" | 24" |



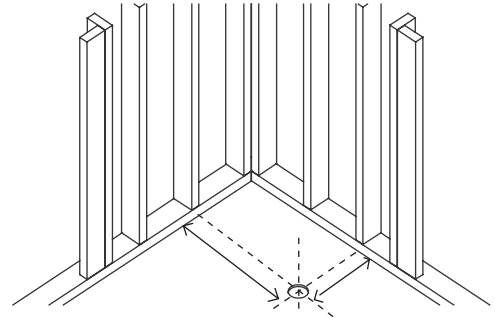
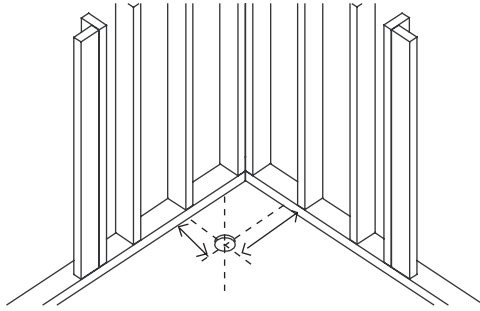
INSTALLATION

01

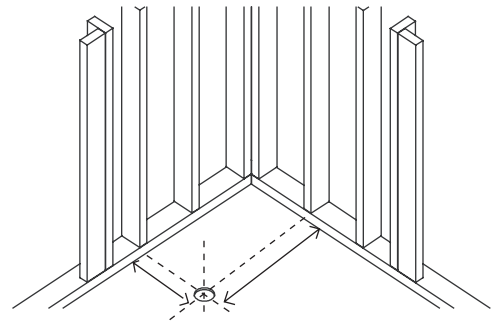
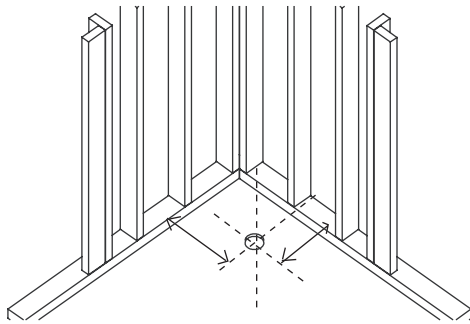
The floor, drywall and/or studs must be at right angles. Create a 5" by 5" hole in the floor to allow the drain to come through. The 2" pvc pipe should extend up and out of the hole. Make sure the pipe and hole align with the product's drain location. Refer to the spec drawings to make sure.

See Fig. 1

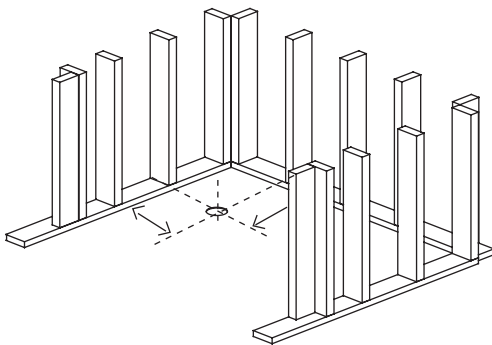
Left Hand



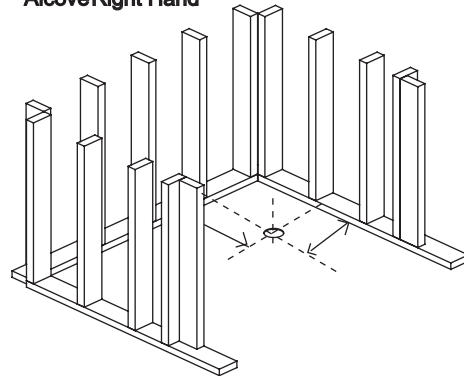
Right Hand



Alcove Left Hand



Alcove Right Hand



Alcove Center

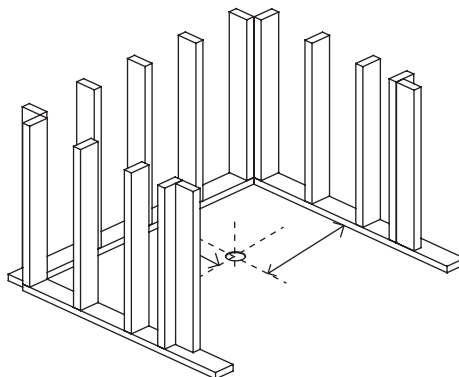


fig. 1

INSTALLATION

02

Position the base and make sure the draining pipe location matches the actual location of the shower base drain. See Fig. 2

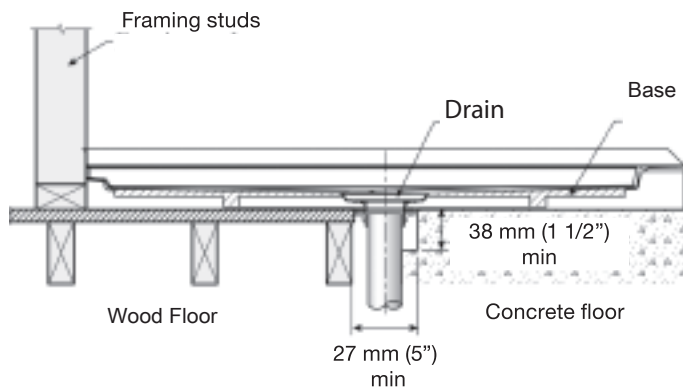


fig. 2

03

Install the shower drain. NOTE: The shower drain is NOT INCLUDED with this package. See Fig. 3

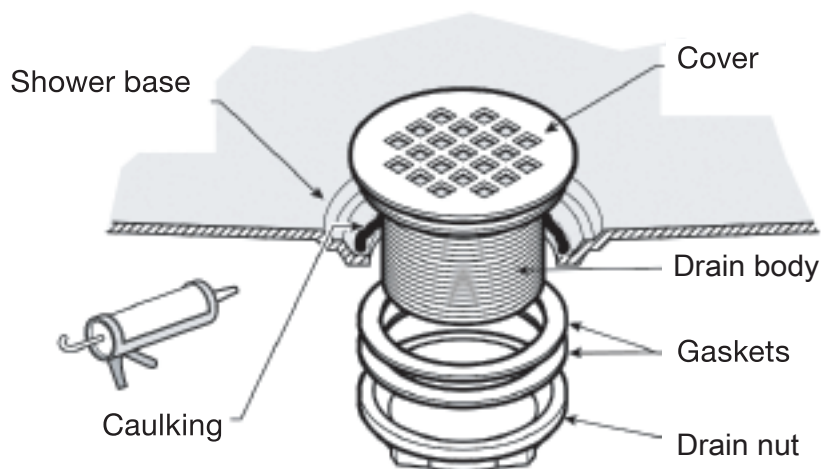


fig. 3

INSTALLATION

04

Position the shower base over so the waste drain and the drainage pipe are aligned. The shower base should butt up against the drywall.

Lower the base over the drain and set against the studs.

See Fig. 4

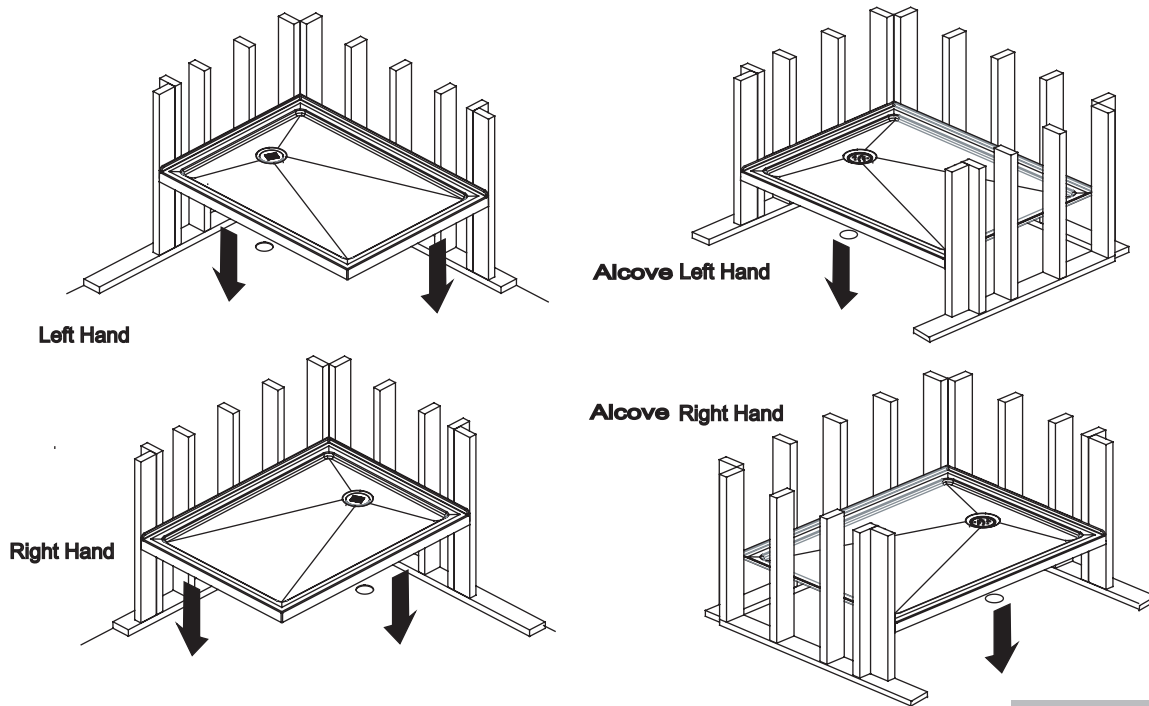


fig. 4

05

Mix your bedding material (i.e. mortar or cement-sand). It is NOT RECOMMENDED to use concrete or plaster. Apply enough bedding to support the complete bottom of the base. This will make sure the base will not shift positions as well as provide additional stability.

See Fig. 5

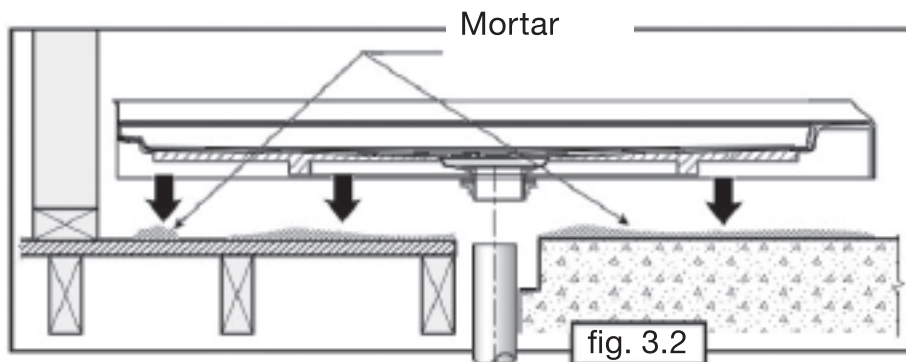


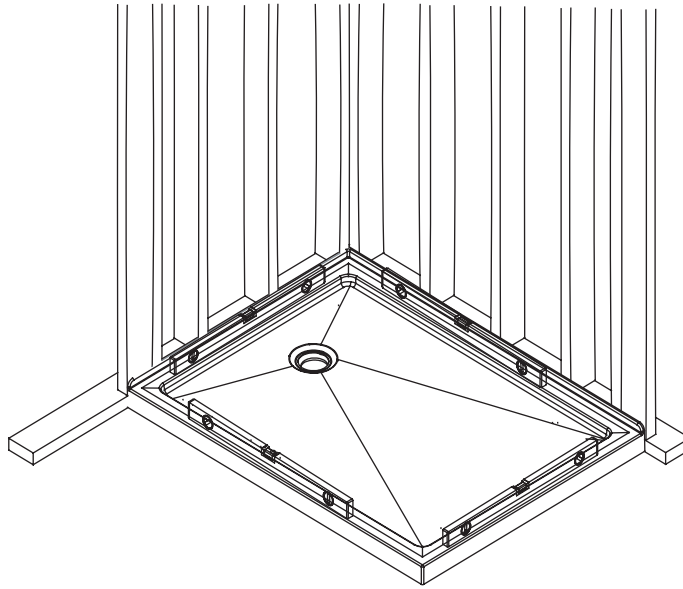
fig. 5

INSTALLATION

06

Place the base against the drywall, position the shower base over so the waste drain and the drainage pipe are aligned, and use a leveler to make sure the shower base is level.

See Fig. 6



24 Hours 

Wait 24 hours before using the shower

fig. 6

07

Use a 5 mm (3 1/6") drill bit to drill the tiling flange through the wall studs. Use 8 x 32 mm (1 1/4") screws to fix the base in position.

See Fig. 7

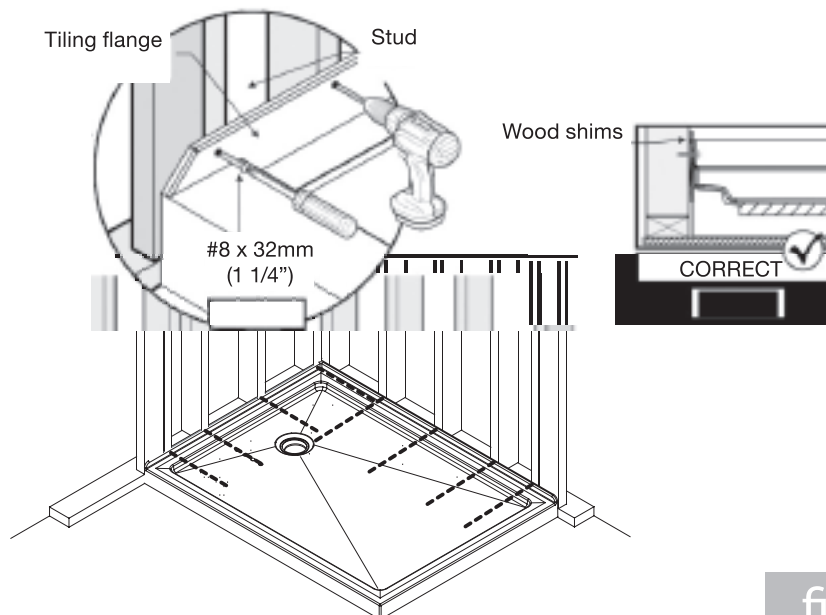


fig. 7

08

Refer to the drawing below to ensure your installation matches the illustrated layers. See Fig. 8

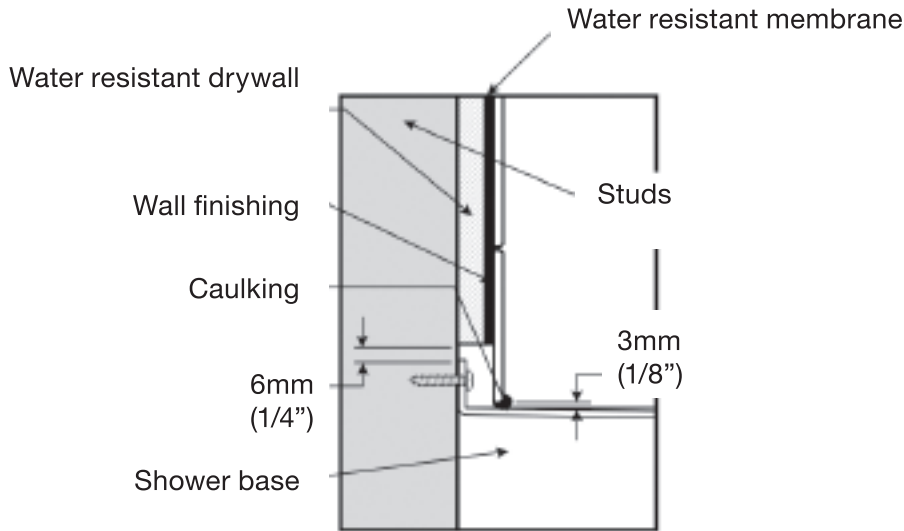
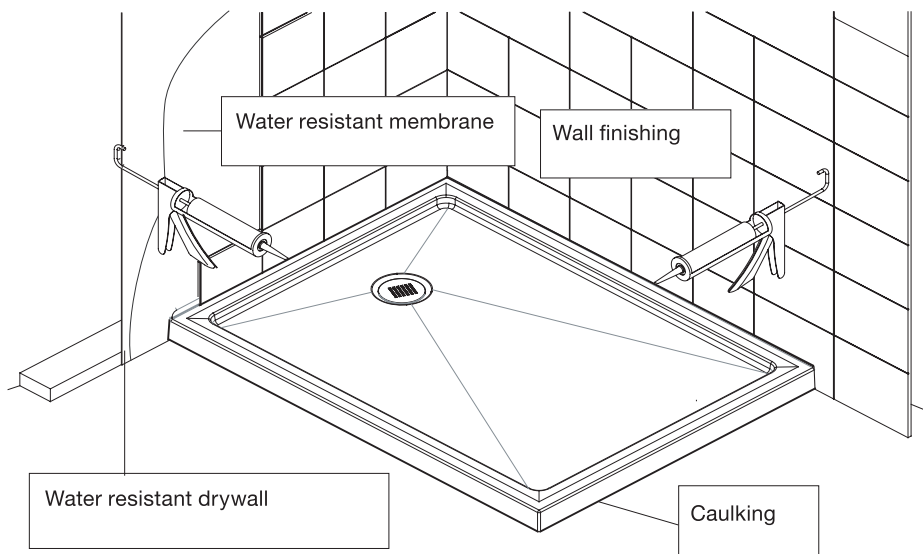


fig. 8

09

Finally, use silicone to fill any remaining gaps between the tiles and shower base and between the shower base and the floor. See Fig. 9



Wait 24 hours before using the shower

fig. 10