

AXOR ShowerSelect
Thermostatic Trim Round for 2 Functions
 Finishes : **brushed nickel** Part no. : **36723821**



Description

Features

- Outlets may be operated simultaneously
- Select push-button on/off control for 2 outlets
- Flow: 8.0 GPM (30.3 L/Min) / 2.0 GPM (7.6 L/Min)
- Thermostatic cartridge, Start/stop cartridge
- Anti-scald 100° safety stop
- Optimized for water-efficient shower products
- Optional accessory to limit total flow to 2.0 GPM @ 80 psi where required

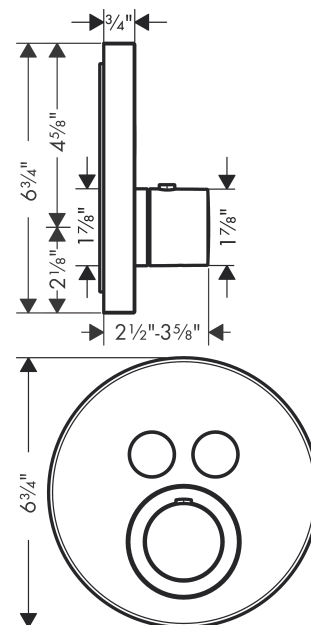
Technology



Product image



Scale drawing

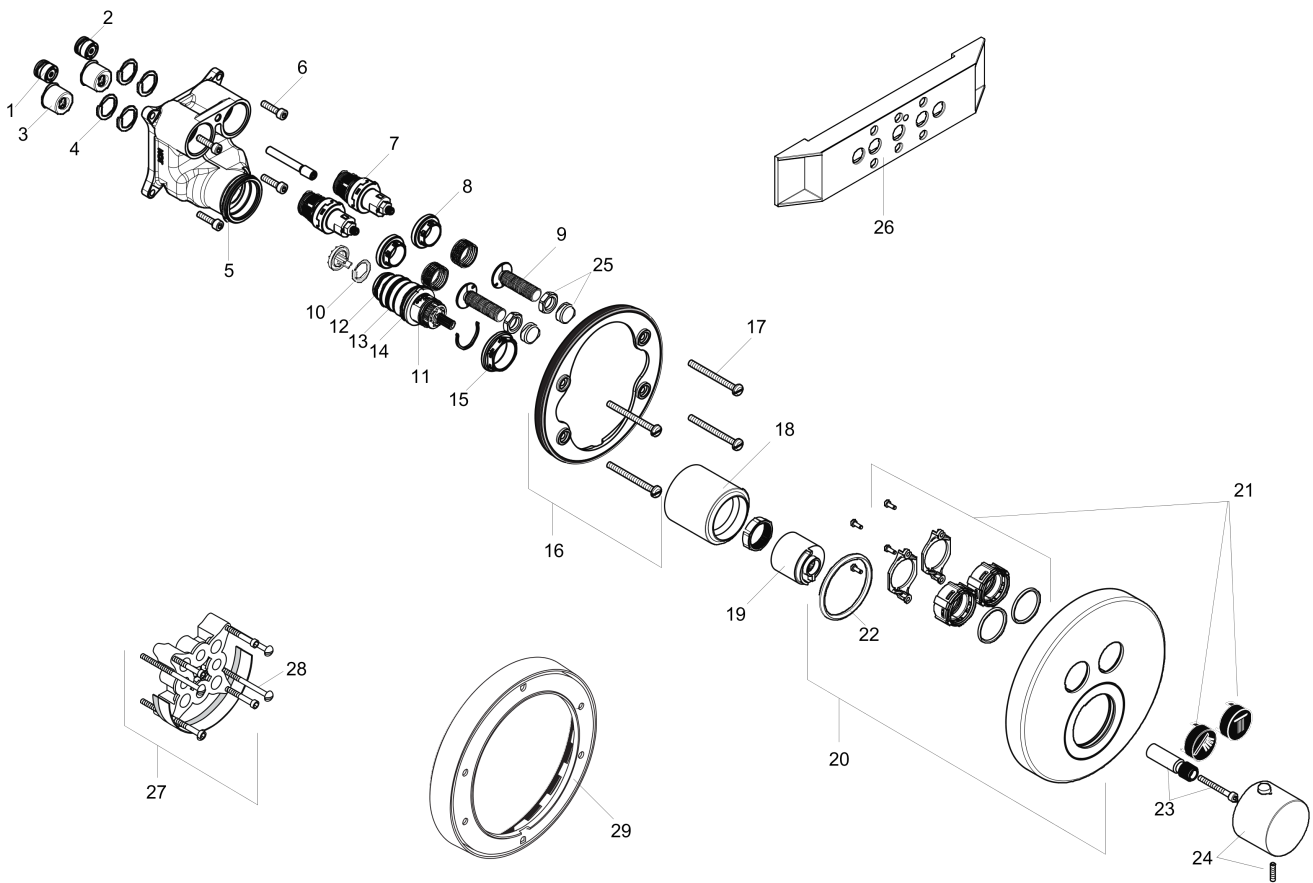


AXOR ShowerSelect
Thermostatic Trim Round for 2 Functions
Finishes : **brushed nickel** Part no. : **36723821**



Exploded drawing

Year of production: >01/16



AXOR ShowerSelect
Thermostatic Trim Round for 2 Functions
 Finishes : **brushed nickel** Part no. : **36723821**



Spare parts list

Year of production: >01/16

Pos.	Description	Part no.	PC	PU
1	non return valve (pressure-resistant up to 2 MPa)	92594000	0	1
2	non return valve	97980000	0	1
3	noise reduction	94073000	0	1
4	O-ring 16x2	98133000	0	1
5	O-ring 36x2	98156000	0	1
6	set of screws	96525000	0	1
7	shut off unit	95758000	0	1
8	nut	98368000	0	1
9	Select-adapter	92219000	0	1
10	O-ring 16x2,5	98134000	0	1
11	thermostat cartridge	98282000	0	1
12	O-ring 20x1,5	98197000	0	1
13	O-ring 25x1,5	98146000	0	1
14	O-ring 25x2,5	92146000	0	1
15	nut	98913000	0	1
16	holder for escutcheon	98793000	0	1
17	set of fixing screws	96454000	0	1
18	sleeve	92546820	0	1
19	safety set for temperature control	97334000	0	1
20	escutcheon Ø 170 mm	92643821	0	1
21	set of symbols	92544610	0	1
22	O-Ring 48x3	95508000	0	1
23	adapter for handle	98701000	0	1
24	handle for thermostat	92534820	0	1
25	nut and flange	92696000	0	1
26	fit-up aid	92540000	0	1
27	extension 25 mm	13595000	0	1
28	set of fixing screws	97747000	0	1
29	extension 22 mm (Ø 170 mm)	13596820	0	1
a	compensation set 1°	95521000	0	1
b	Grease	90920000	0	1
c	symbol head shower Rain large	93571610	0	1
d	symbol head shower Rain small	93572610	0	1
e	symbol handshower	93573610	0	1

AXOR ShowerSelect
Thermostatic Trim Round for 2 Functions
 Finishes : **brushed nickel** Part no. : **36723821**



Spare parts list

Year of production: >01/16

Pos.	Description	Part no.	PC	PU
f	symbol Flood jet	93574610	0	1
g	symbol Whirl	93575610	0	1
h	symbol Mono	93576610	0	1
i	symbol tub	93577610	0	1
j	symbol body shower	93578610	0	1
k	symbol ON/OFF	93579610	0	1
l	cartridge for exchanged connections	92373000	0	1