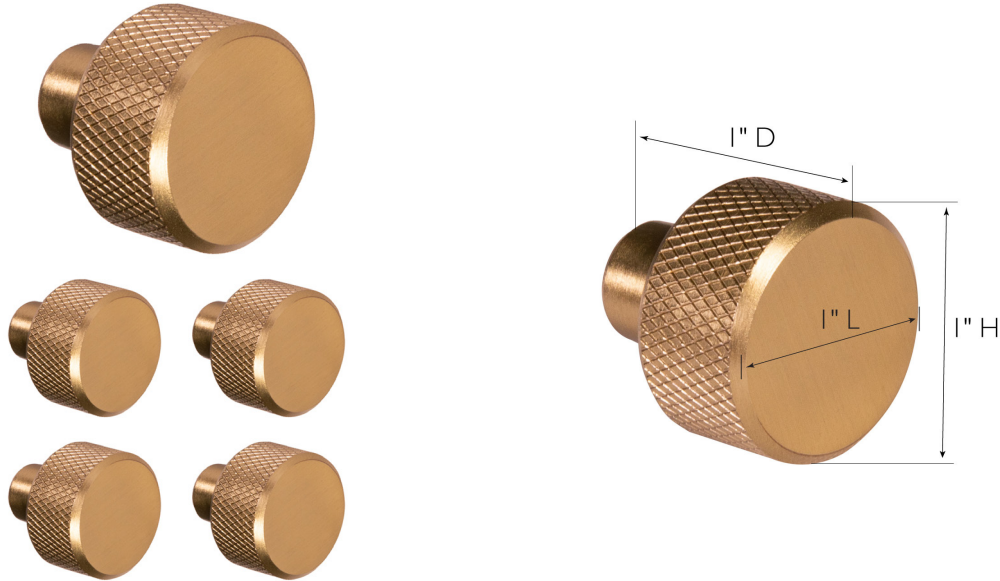


Porter Cabinet Knob, 5-Pack  
Satin Gold



## SPECIFICATIONS

MATERIAL CONSTRUCTION:	Steel
MOUNTING HARDWARE INCLUDED:	Yes
TOOLS NEEDED FOR INSTALLATION:	Screwdriver
ASSEMBLED DIMENSIONS:	1" H x 1" L x 1" D
ASSEMBLED WEIGHT:	0.148 lbs.
PROJECTION:	1"
MOUNTING HARDWARE SIZE:	1/4" x 1" and 1/4" x 1 3/4"

WARRANTY:	1-Year limited warranty
LEGAL FOR SALE IN CALIFORNIA:	Yes



TYPE:  
JOB:  
ORDER CODE:  
APPROVALS: