

**AXOR Citterio M**  
**2-Hole Single-Handle Kitchen Faucet 2-Spray Pull-Down, 1.75 GPM**  
 Finishes : **chrome**    Part no. : **34822001**



## Description

### Features

- Swivel range 150°
- Laminar and needle spray
- Toggle spray diverter
- MagFit magnetic sprayhead docking
- 2-hole installation
- Flow: 1.75 GPM (6.6 L/Min)
- Ceramic cartridge
- 3/8" connections
- Integrated double backflow prevention

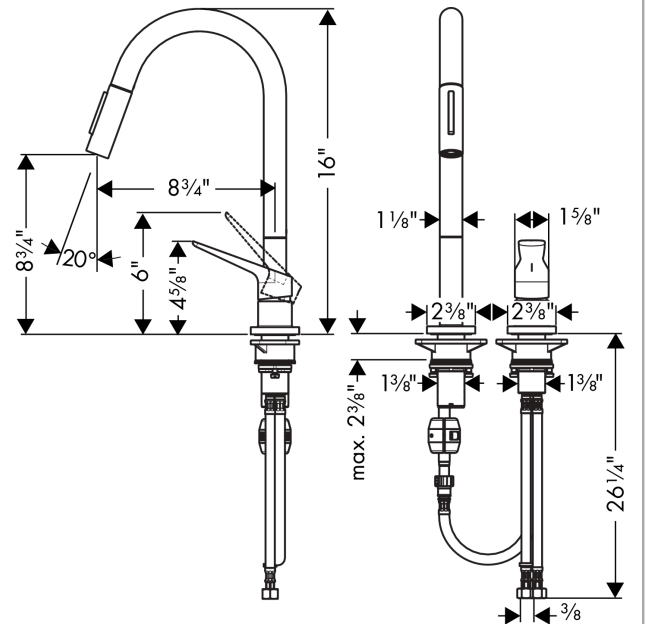
## Technology



## Product image



## Scale drawing

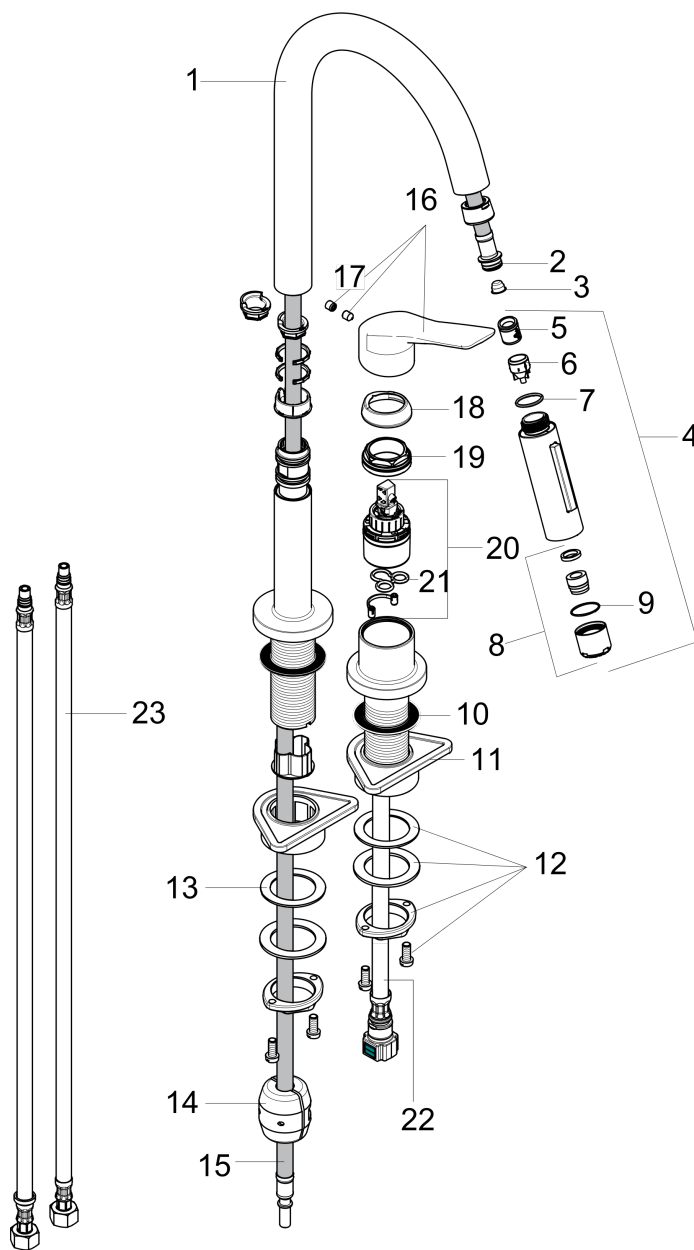


**AXOR Citterio M**  
**2-Hole Single-Handle Kitchen Faucet 2-Spray Pull-Down, 1.75 GPM**  
 Finishes : **chrome**    Part no. : **34822001**



## Exploded drawing

Year of production: >11/15



**AXOR Citterio M**  
**2-Hole Single-Handle Kitchen Faucet 2-Spray Pull-Down, 1.75 GPM**  
 Finishes : **chrome** Part no. : **34822001**



## Spare parts list

Year of production: >11/15

Pos.	Description	Part no.	PC	PU
1	spout cpl.	95562000	0	1
2	O-ring 11x2	98127000	0	1
3	filter	97735000	0	1
4	handspray	95908001	0	1
5	non return valve	93218000	0	1
6	set of non return valves DW 15	97350000	0	1
7	O-ring 18x1,5	98231000	0	1
8	aerator laminar M22x1 (15 l/min)	95909000	0	1
9	O-ring 20x1	98140000	0	1
10	sealing washer	97825000	0	1
11	support	97523000	0	1
12	fixing set (Ø 34)	95049000	0	1
13	lever collar	97548000	0	1
14	weight	98551000	0	1
15	hose 1,50 m	88624000	0	1
16	handle	95902000	0	1
17	screw cover	96762000	0	1
18	flange	96763000	0	1
19	nut	97209000	0	1
20	cartridge, assy	92730000	0	1
21	seal	95008000	0	1
22	connection hose 600 mm M10x1	95561000	0	1
23	connection hose 35½" M8x0,75 3/8"	96316001	0	1
a	set of lever collars	98365000	0	1