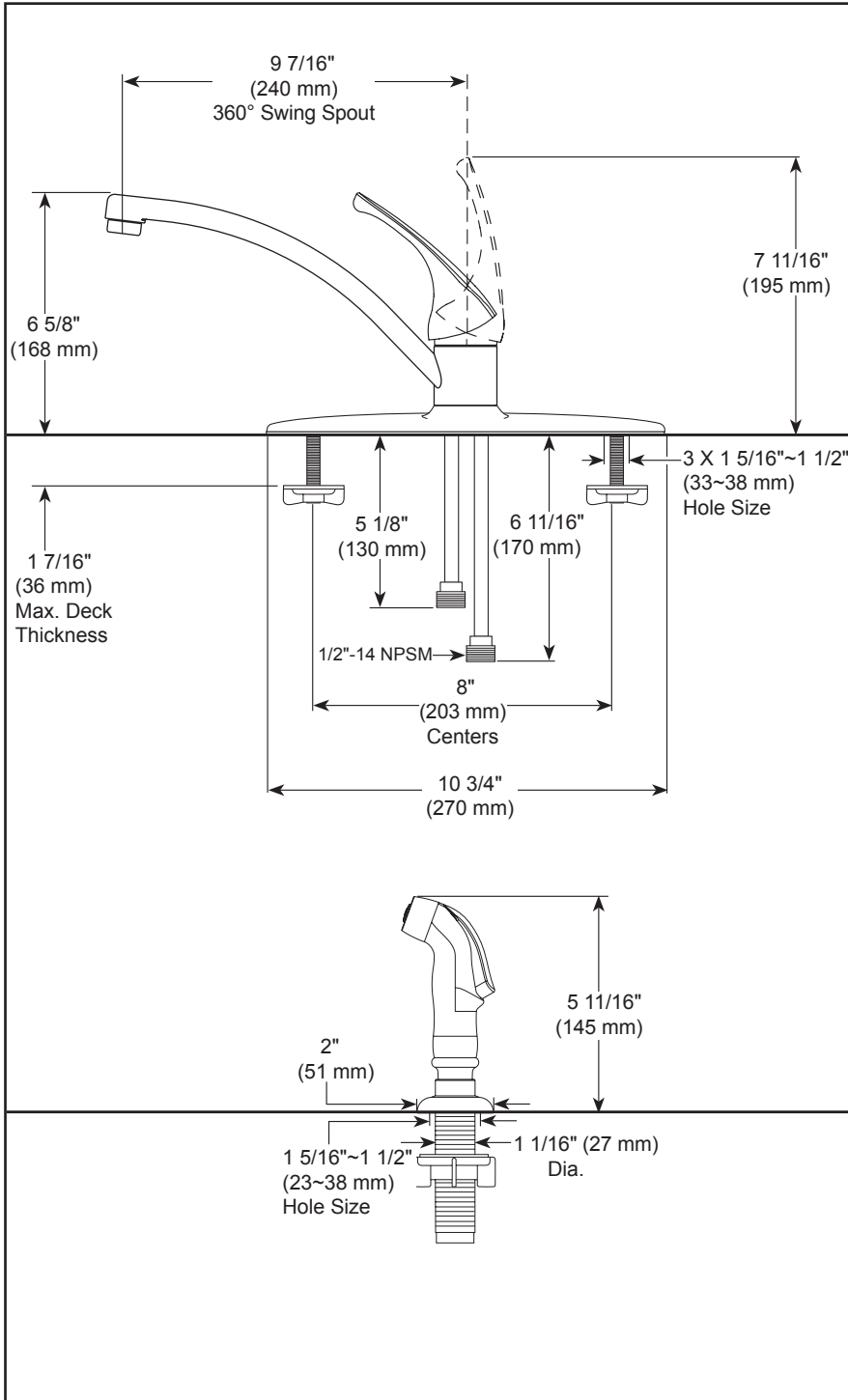


Submitted Model No.: _____

Specific Features: _____



▲ Designate proper finish suffix

Delta reserves the right (1) to make changes in specifications and materials, and (2) to change or discontinue models, both without notice or obligation. Dimensions are for reference only. See current full-line price book or www.deltafaucet.com for finish options and product availability.

DSP-K-10900LF Rev. D



see what Delta can do™

KITCHEN FAUCETS

- Single Handle Deck Mount
- 3 Hole Sink Applications

STANDARD SPECIFICATIONS:


- Maximum flow 1.8 gpm @ 60 psi, 6.8 L/min @ 414 kPa
- All operating parts shall be replaceable from the top
- Hot and cold stems are interchangeable
- 1/2" -14 NPSM threaded male inlet adapters
- Lever handle control mechanism is the rotating stainless steel ball type with replaceable non-metallic seats
- Models 10901LF with spray attachment have antisiphon device as integral part of valve body

WARRANTY

- Lifetime limited warranty on parts (other than electronic parts and batteries) and finishes: or, for commercial users, for 5 years from date of purchase.
- 5 year limited warranty on electronic parts (other than batteries); or, for commercial users, for 1 year from the date of purchase. No warranty is provided on batteries.



COMPLIES WITH:

- ASME A112.18.1 / CSA B125.1
-  Indicates compliance to ICC/ANSI A117.1

Delta Faucet Company

55 E. 111th Street, Indianapolis, Indiana 46280
 350 South Edgeware Road, St. Thomas, Ontario Canada N5P 4L1
 © 2018 Delta Faucet Company