

3/4" F1960 Brass PEX Adapter

Job Name	_____
Location	_____
Engineer	_____
Contractor	_____
Tag	_____ PO# _____

Specifications

- Simple and dependable plumbing connection
- Easy installation
- Leak-proof connections
- Lead-free DZR brass
- Can be used with F1960 PEX rings
- Sold in carton quantities only

Applications

Jones Stephens' F1960 Brass Male Sweat Adapters are approved for use with commercial and residential potable and non-potable water applications.

Materials

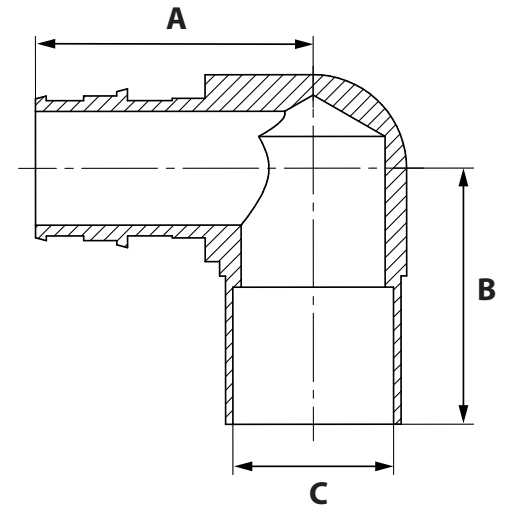
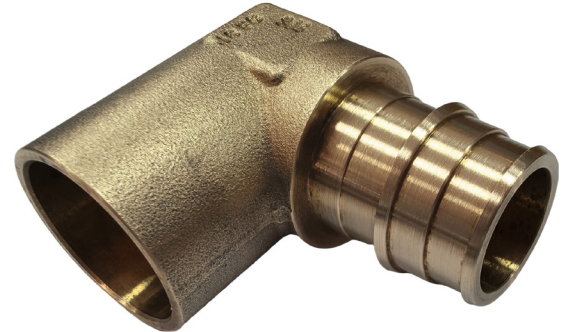
- Brass

Dimensions and Product Offering

See following page

Certifications/Listings/Approvals

- ASTM F1960-2023b
- CSA B137.5-2020
- Lead Law Compliant



	ID	OD
F1960 Specified Dimensions	in (mm)	in (mm)
1/2" End Connection	.41(10.33)	.61(15.59)
5/8" End Connection	.53(13.40)	.74(18.90)
3/4" End Connection	.62(15.80)	.87(22.10)
1" End Connection	.83(21.00)	1.11(28.10)
1-1/4" End Connection	.80(20.32)	1.36(35.54)
1-1/2" End Connection	1.08(27.43)	1.49(37.85)
2" End Connection	1.56(39.62)	2.08(52.83)

Dimensions and Product Offering

Part Code	Size	A - in(mm)	A Tolerance ±in(mm)	B - in(mm)	B Tolerance ±in(mm)	C - in(mm)	C Tolerance ±in(mm)	Weight - lbs(g)	Weight Tolerance ±lbs(g)
F76884	.75"	1.52 (38.60)	.36 (9.07)	1.40 (35.60)	.04 (0.912)	.88 (22.33)	.002 (.045)	.21 (97.07)	.02 (10.89)