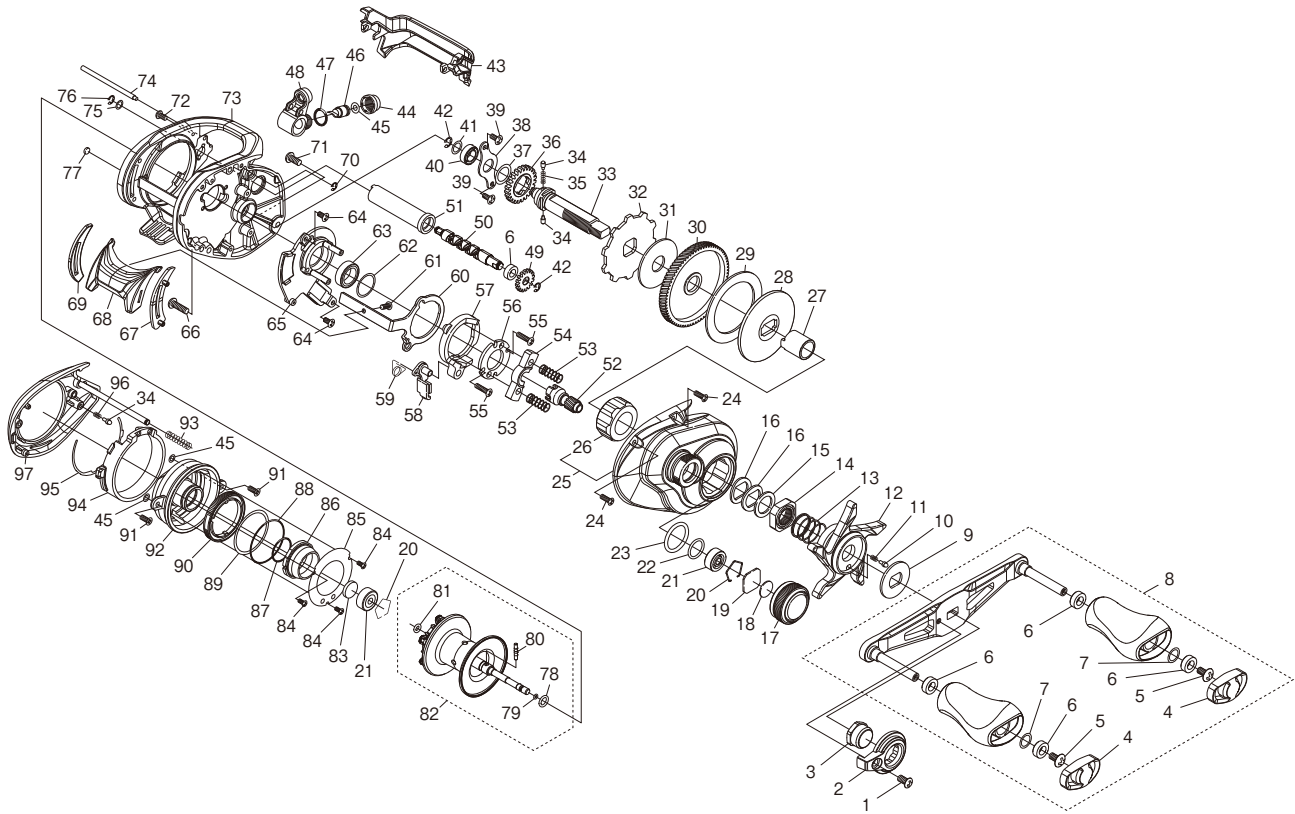


# SHIMANO

## SLX

## SLXXT150XGA



(51RL805A40X)

#	Part No.	Description	#	Part No.	Description	#	Part No.	Description
1	101VV	Screw	34	10HJF	Idle Gear Pin	67	100MH	Clutch Bar Guide B
2	10SSK	Handle Nut Plate	35	10JDY	Idle Gear Spring	68	100ML	Clutch Button
3	10E67	Handle Nut	36	101K8	Idle Gear A	69	100MW	Clutch Bar Guide A
4	100NC	Handle Knob Seal	37	108WU	O Ring	70	105NB	E Lock
5	10LFA	Screw	38	109T1	Drive Shaft Retainer	71	100UU	Screw
6	10PXZ	Bushing	39	10E23	Screw	72	100U4	Screw
7	104FH	Washer	40	105BL	Ball Bearing	73	14749	Frame
8	10E6Y	Handle Assembly	41	10C47	Washer	74	100UT	Stabilizer Bar
9	10J22	Star Drag Click Plate	42	105NK	E Lock	75	10FJZ	Washer
10	10MFC	Click Pin	43	10E6W	Level Wind Protector	76	105NC	E Lock
11	10BT2	Click Spring	44	10FJB	Pawl Cap	77	108PY	Washer
12	100HF	Star Drag	45	10CFU	Washer	78	10TM7	O Ring
13	10A70	Star Drag Spring	46	10BHQ	Line Guide Pawl	79	100BH	O Ring
14	10A3T	Star Drag Nut	47	108WQ	O Ring	80	10P67	Spool Clutch Pin
15	10J1N	Star Drag Spacer	48	10DUG	Line Guide Assembly	81	10EZ7	O Ring
16	109F5	Drag Spring Washer	49	10SRL	Idle Gear	82	1474A	Spool Assembly
17	10050	Cast Control Cap	50	100U6	Worm Shaft	83	10EX5	Spacer
18	10896	Cast Control Spacer B	51	100UF	Level Wind Guard	84	10E7R	Screw
19	1085F	Spool Tension Spacer A	52	100U7	Pinion Gear	85	100HC	Brake Dial Retainer Plate
20	1054D	Bearing Retainer	53	100U9	Yoke Spring	86	10E6U	Brake Ring Gear
21	105C3	Ball Bearing	54	100UH	Yoke	87	10LA8	O Ring
22	101GT	O Ring	55	10LV0	Screw	88	10CG1	O Ring
23	10R22	O Ring	56	100US	Clutch Cam Retainer	89	10RHW	Washer
24	10LCY	Screw	57	100UK	Clutch Cam	90	1000Y	Brake Dial
25	14818	A Side Plate Assembly	58	10MME	Clutch Pawl Assembly	91	100UL	Screw
26	10F5C	Roller Clutch Bearing	59	10R1H	Clutch Pawl Spring	92	14819	Dial Case
27	100UC	Roller Clutch Inner Tube	60	100UG	Clutch Plate	93	10KNH	Spring
28	10D3H	Key Washer	61	10LF4	Screw	94	100NE	B Side Plate Cam Lever
29	10R3D	Drag Washer	62	10190	Washer	95	100ND	Washer
30	10R0D	Drive Gear	63	10EX6	Ball Bearing	96	10GQZ	Click Spring
31	10CHX	Drag Washer	64	10LCT	Screw	97	1481A	B Side Plate Assembly
32	10D73	Anti-reverse Ratchet	65	10DUK	Clutch Guard Assembly			
33	100UP	Drive Shaft	66	100UV	Screw			

Please note that the number of adjusting washers may not be the same as shown in the exploded views.  
(Adjustment will vary with each individual product.)

(240222)\_001