

SPECIFICATION SUBMITTAL SHEET

jones stephens corporation

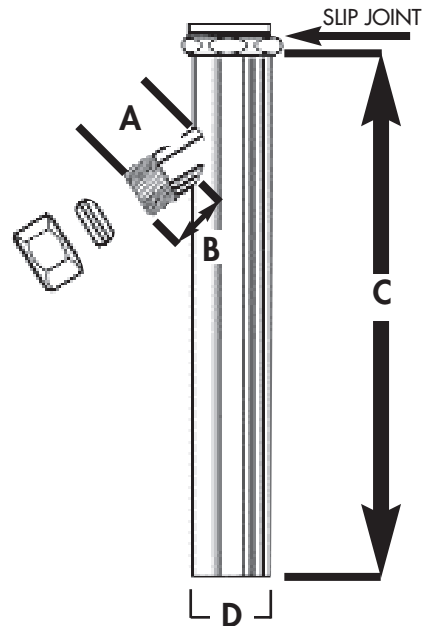
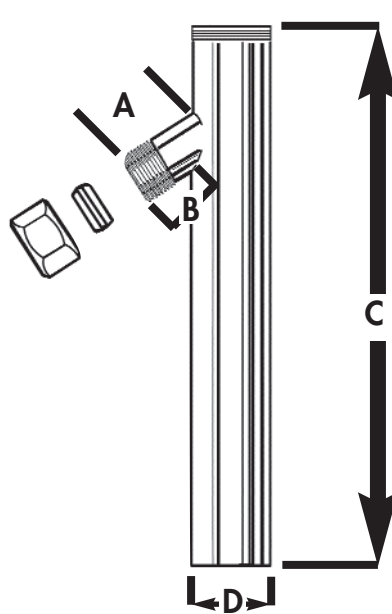
TRAP PRIMER TAILPIECE

PART NO. T74-010/-011

features and benefits:

- Chrome plated brass
- 17 gauge tubular chrome plated steel
- Sturdy one-piece construction eliminates leaks and crossthreading
- For installation under lavatory

This product and others like it can be found in the Jones Stephens catalog. Call today to order your catalog or download it from our website: www.plumbest.com



PART NO.	A	B	C	D
T74-010	1 1/4"	3/4"	8"	1 1/4"
T74-011	1 1/4"	3/4"	8"	1 1/2"

SLIP JOINT CONNECTION FOR T74-011: WIDTH: 1 15/16" HEIGHT: 9/16"

jones stephens corporation
 3249 moody parkway • moody, alabama 35004
 toll free phone: 1-800-355-6637 • toll free fax: 1-800-462-6991
www.plumbest.com