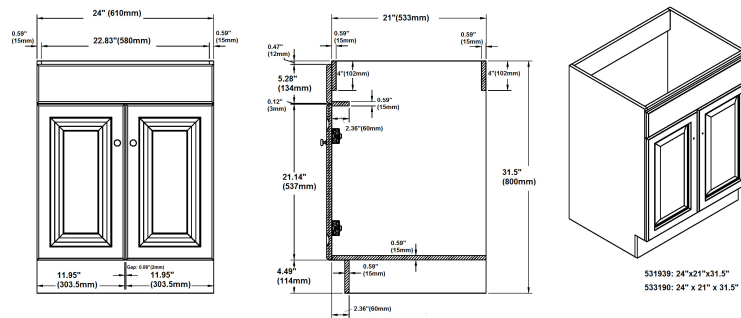
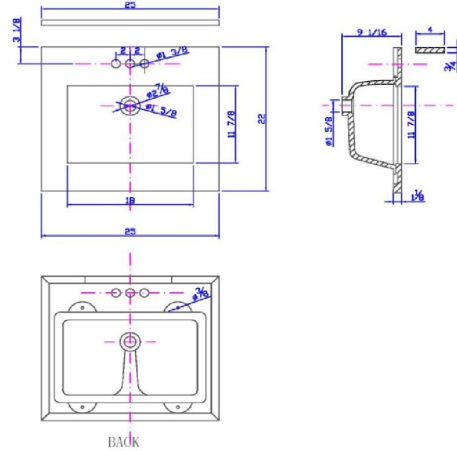


White Wyndham 2-Door Vanity with Quartz 4" Centerset Flint Vanity Top, Unassembled, 25x22



SPECIFICATIONS

MATERIAL CONSTRUCTION:	Wood/Quartz	TOE KICK INSET WIDTH:	4.5"
ASSEMBLY REQUIRED:	Yes	BACK PANEL MATERIAL:	N/A
ASSEMBLED DIMENSIONS:	36.5" H x 25" L x 22" D	BACK BRACE MATERIAL:	Particle Board
ASSEMBLED WEIGHT:	104 lbs.	FAUCET TYPE:	Lav Centerset
TOOLS NEEDED FOR INSTALLATION:	Screwdriver	NUMBER OF MOUNTING HOLES:	3
CONSTRUCTION TYPE:	Frameless	BOWL MATERIAL:	Ceramic
HINGE STYLE:	Concealed	BACK SPLASH INCLUDED:	Yes
DOOR STYLE:	2 MDF Slab Doors	COLOR:	Flint
DRAWER STYLE:	N/A	NUMBER OF BOWLS:	1
GLIDE STYLE:	N/A	BOWL DIMENSIONS:	5.6" H x 11.88" W x 17.71" D
FAKE DWR STYLE:	MDF	BOWL SHAPE:	Rectangle
DWR #1 DIMENSIONS:	N/A	SINK THICKNESS:	N/A
DWR CONSTRUCTION:	N/A	MOUNTING TYPE:	Undermount
SHELF STYLE:	N/A	OVERFLOW HOLE:	Yes
SHELF ADJUSTABILITY INCREMENTS:	N/A	WARRANTY:	1-Year limited warranty
SHELF MAX WEIGHT CAPACITY:	N/A	CARB COMPLIANT:	CARB Phase 2
SHELF DIMENSIONS:	N/A	LEGAL FOR SALE IN CALIFORNIA:	Yes
SHELF THICKNESS:	N/A	TSCA TITLE IV COMPLIANT:	Yes
SHELF MATERIAL:	N/A		
FRAME STYLE:	N/A		
FACE FRAME MATERIAL:	N/A		
SIDES MATERIAL:	Particle Board		
BOTTOM MATERIAL:	Particle Board		



TYPE:
JOB:
ORDER CODE:
APPROVALS: