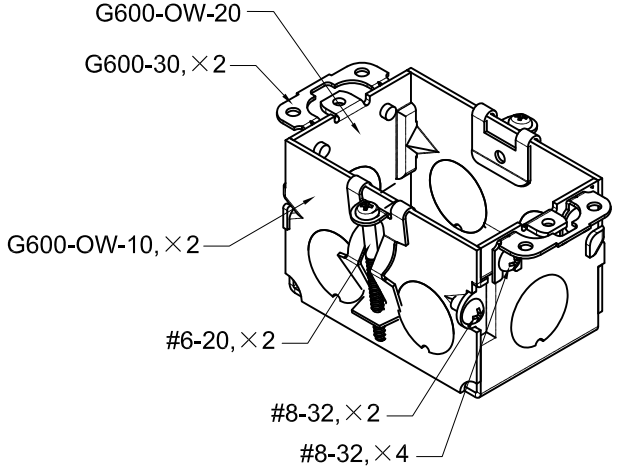
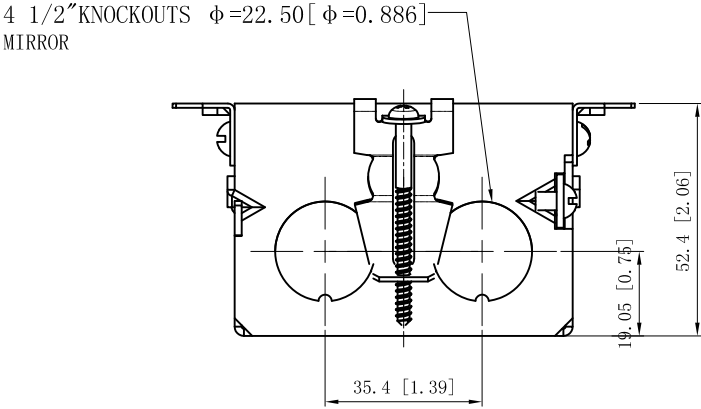
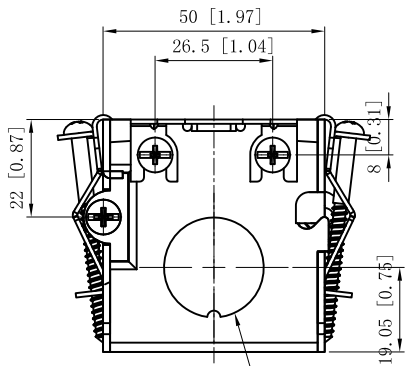
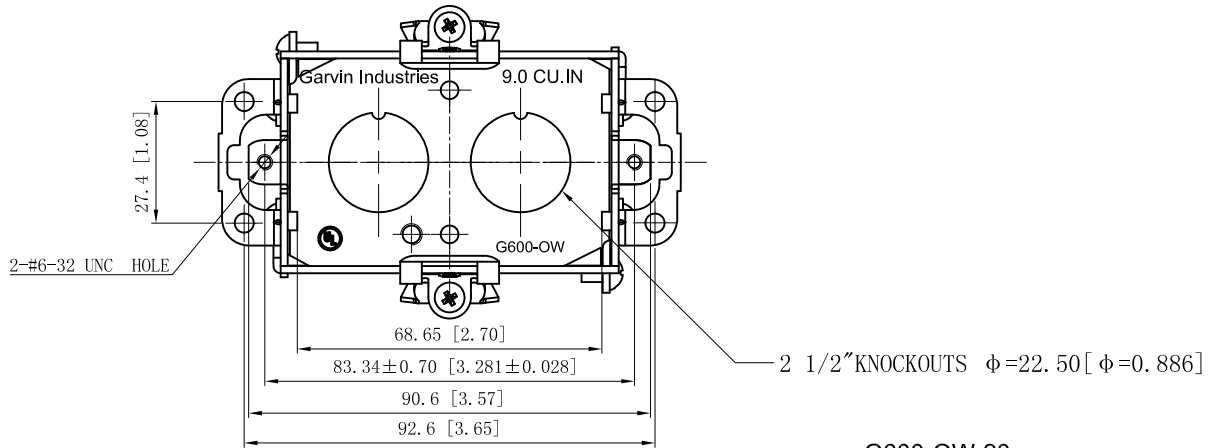


SIDES	BOTTOM
6 1/2" KNOCKOUTS	2 1/2" KNOCKOUTS
2 PCS 8-32×1/4 Screws Installed	
4 PCS 8-32×1/8 Screws Installed	
2 PCS 6-20×1-7/8 Screws Installed	
Material: Steel-0.0625"-G60 Galvanized	



DESCRIPTION
TRADE REFERENCE TERMS

This data sheet is for reference only .GARVIN INDUSTRIES reserves the right to make changes to the design without prior notice.

STANDARD PACKING	GARVIN INDUSTRIES		
	TITLE GANGABLE SWITCH BOXES WITH CONOUIT KNOCKOUTS		
50 PCS	SIZE	DWG NO.	REV
	A4	G600-OW	A
DATA SHEET			