

**EVERY  
THING  
YOU NEED  
TO KNOW  
ABOUT YOUR**

**XO**

**XOT UNDER CABINET**  
MODELS XOT48KSE, XOT1836KSE, XOT1848KSE

I worked really hard  
on this manual - so  
please read it...

**XO**







VENTILATION

When buying any XO appliance you can be confident you have chosen a high quality, innovative and stylish product from a company that cares about you!

If you require service or have questions, there are 2 ways to contact our ventilation experts;

Online @ <https://xoappliance.com/priority-service-for-your-xo-product/>

Or by phone 973-403-8900



## CONGRATULATIONS

on purchasing your XO.

Before you proceed, take just a moment to register your XO at:

[www.xoappliance.com/register-your-product/](http://www.xoappliance.com/register-your-product/)

## REGISTRATION HELPS YOU BY -

Ensuring warranty coverage should you need service

Providing ownership verification for insurance purposes

Let's XO notify you in the event of product changes or recalls.

# WHERE THINGS ARE

## **GETTING READY**

**5 - 13**

Safety and Precautions  
Planning Ductwork  
Install Examples  
Dimensions

## **THE INSTALL**

**14 - 19**

Mounting Height  
Top or Rear Exhaust  
Installing  
Electrical Connections

## **MAINTENANCE**

**20 - 21**

Filters  
Cleaning  
Recirculation  
Light Replacement

## **OPERATING**

**22 - 23**

The Push Button Controls

## **PARTS & WARRANTY**

**24 - 25**

**PLEASE READ AND FOLLOW  
ALL SAFETY INSTRUCTIONS**

It's for your  
own good...  
Honest.

**XO**

# SAFETY FIRST

## ■ IMPORTANT SAFETY INSTRUCTIONS

### ■ FOR RESIDENTIAL USE ONLY

### ■ READ AND SAVE THESE INSTRUCTIONS

#### ■ PLEASE READ ENTIRE INSTRUCTIONS BEFORE PROCEEDING.

■ **IMPORTANT:** Save these Instructions for the Local Electrical Inspectors use.

■ **INSTALLER:** Please leave these Instructions with this unit for the owner.

■ **OWNER:** Please retain these instructions for future reference.

■ Take care when using cleaning agents or detergents.

■ Suitable for use in household cooking area.

■ **WARNING** - To reduce the risk of fire or electric shock, do not use this fan with any Solid-State Speed Control Device.

■ **CAUTION** - To reduce risk of fire and to properly exhaust air, be sure to duct air outside – Do not vent exhaust air into spaces within walls or ceilings or into attics, crawl spaces, or garages.

■ **CAUTION** - For Residential Kitchen ventilating use only. Do not use to exhaust hazardous or explosive materials and vapors.

■ **CAUTION** - To avoid motor bearing damage and noisy and/or unbalanced impellers, keep drywall spray, construction dust, etc. off power unit.

■ **CAUTION** - Please read specification label on product for further information and requirements.

■ **WARNING** – TO REDUCE THE RISK OF FIRE, ELECTRIC SHOCK, OR INJURY TO PERSONS, OBSERVE THE FOLLOWING:

A. Use this unit only in the manner intended by the manufacturer. If you have questions, contact the manufacturer.

B. Before servicing or cleaning unit, switch power off at service panel and lock the service disconnecting means to prevent power from being switched on accidentally. When the service disconnecting means cannot be locked, securely fasten a prominent warning device, such as a tag, to the service panel.

■ **WARNING - TO REDUCE THE RISK OF A RANGE TOP GREASE FIRE:**

A. Never leave surface units unattended at high settings. Boilovers cause smoking and

greasy spillovers that may ignite. Heat oils slowly on low or medium settings.

- B.** Always turn hood ON when cooking with high heat.
- C.** Clean ventilating fans frequently. Grease should not be allowed to accumulate on fan or filter.
- D.** Use proper pan size. Always use cookware appropriate for the size of the surface element.
- E.** Keep fan, filters and grease laden surface clean.
- F.** Use high range setting on range only when necessary. Heat oil slowly on low to medium setting.
- G.** Don't leave range unattended when cooking.
- H.** Always use cookware and utensils appropriate for the type and amount of food being prepared.

■ **WARNING** – TO REDUCE THE RISK OF INJURY TO PERSONS IN THE EVENT OF A RANGE TOP GREASE FIRE, OBSERVE THE FOLLOWING:

- A.** SMOTHER FLAMES with a close-fitting lid, cookie sheet, or metal tray, then turn off the burner. BE CAREFUL TO PREVENT BURNS. If the flames do not go out immediately, EVACUATE AND CALL THE FIRE DEPARTMENT.
- B.** NEVER PICK UP A FLAMING PAN – You may be burned.
- C.** DO NOT USE WATER, including wet dishcloths or towels – a violent steam explosion will result.
- D.** Use an extinguisher ONLY if:
  1. You know you have a Class ABC extinguisher, and you already know how to operate it.
  2. The fire is small and contained in the area where it started.
  3. The fire department is being called.
  4. You can fight the fire with your back to an exit.

<sup>a</sup>Based on “kitchen firesafety tips” published by NFPA.

**Proper maintenance of the Range Hood will assure proper performance of the unit.**

■ **INSTALLATION INSTRUCTIONS**

**WARNING** – TO REDUCE THE RISK OF FIRE, ELECTRIC SHOCK, OR INJURY TO PERSONS, OBSERVE THE FOLLOWING:

- A.** Installation work and electrical wiring must be done by qualified person(s) in accordance with all applicable codes and standards, including fire-rated construction.
- B.** Sufficient air is needed for proper combustion and exhausting of gases through the flue (chimney) of fuel burning equipment to prevent back drafting. Follow the heating equipment manufacturer's guideline and safety standards such as those published by the National Fire Protection Association (NFPA), and the American Society for Heating, Refrigeration and Air Conditioning Engineers (ASHRAE), and the local

code authorities.

- C. When cutting or drilling into wall or ceiling, do not damage electrical wiring and other hidden utilities.
- D. Ducted fans must always be vented to the outdoors.
- E. This unit must be grounded.

■ **WARNING** - TO REDUCE THE RISK OF FIRE, USE ONLY METAL DUCTWORK.

■ **WARNING** - UNDER CERTAIN CIRCUMSTANCES DOMESTIC APPLIANCES MAY BE DANGEROUS.

- A. Do not check filters with hood working.
  - B. Do not touch the lamps after a prolonged use of the appliance.
  - C. No food must be cooked flambè underneath the hood.
  - D. The use of an unprotected flame is dangerous for the filters and could cause fires.
  - E. Watch constantly while frying food in order to avoid cooking oil flare ups.
  - F. Before performing any maintenance operation, disconnect the hood from the electrical service.
- The manufacturers will not accept any responsibility for possible damages, because of failure to observe the above instructions.

# A FEW SIMPLE RULES TO PLAN YOUR DUCTWORK

THIS HOOD IS DESIGNED TO USE AN 8" ROUND DUCT - IT MAY BE TRANSITIONED TO A 4" X 14" RECTANGULAR DUCT

NEVER REDUCE DUCT SIZE. UNDERSIZED DUCTING SEVERELY RESTRICTS AIR FLOW AND HARMS PERFORMANCE.

(Example: the area of an 8" Duct is more than 75% larger than a 6" Duct)

KEEP DUCT RUNS AS SHORT AND STRAIGHT AS POSSIBLE.

AVOID USING FLEXIBLE METAL DUCTING IF RUN IS LONGER THAN 6'.

NEVER USE PLASTIC DUCTING.

USE SMOOTH BORE METAL DUCTING.

MINIMIZE THE NUMBER OF FITTINGS (see chart).

WHEN YOU MUST USE FITTINGS, TRY TO SEPARATE THEM WITH SECTIONS OF 4' OR MORE OF STRAIGHT DUCT.

ALWAYS FOLLOW THE MANUFACTURER'S GUIDELINES FOR THE COOKING EQUIPMENT YOU ARE VENTING.

IF MAKE UP AIR CONTROL DAMPERS ARE REQUIRED, POSITION THE SENSOR IN A STRAIGHT RUN OF DUCT IDEALLY WITH 4' OF STRAIGHT DUCT BETWEEN EACH SIDE OF THE SENSOR AND A DUCT FITTING. REMEMBER TO INCLUDE POWER AND CONTROL WIRING FOR THIS IN YOUR PLANS.

ADHERE TO ALL LOCAL BUILDING CODES AND ORDINANCES.


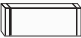


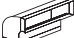






USE THE WORKSHEET THAT FOLLOWS TO HELP CALCULATE THE **TOTAL EQUIVILENT FEET** OF YOUR DUCT RUN.

TOTAL EQUIVILENT FEET SHOULD BE LESS THAN 100'.

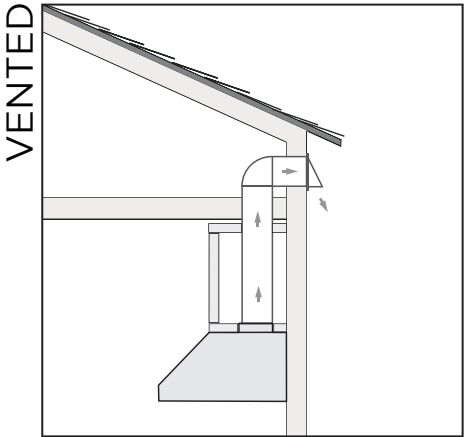
# ESTIMATING TOTAL EQUIVALENT FEET IN A DUCT

CAUSING AIR TO CHANGE DIRECTION CAUSES TURBULENCE AND RESTRICTS FLOW IN A SYSTEM.  
 IF USING FLEXIBLE METAL DUCT - INCREASE ALL MULTIPLIERS BY 50% (12 BECOMES 18 - ETC.)

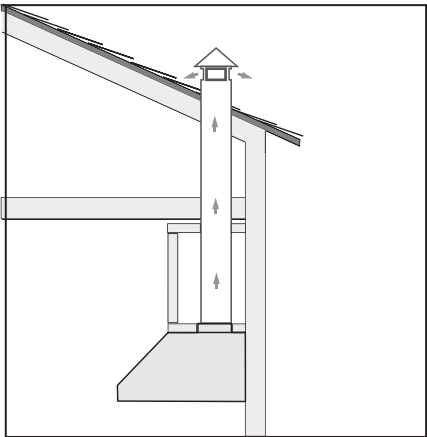
THIS EASY TO USE WORKSHEET IS FOR 1000 CFM OR LESS.  
 UNDER "QTY USED" ENTER HOW OF EACH SECTION YOU WILL BE USING.  
 IN THE FIRST TWO ROWS - ENTER HOW MANY FEET OF EACH TYPE OF STRAIGHT DUCT YOU WILL BE USING (I.E. FOR 20 FT ENTER 20, FOR 30FT ENTER 30).  
 ENTER THE NUMBER OF EACH TYPE OF TURN YOU ARE USING AND THE TYPE OF END CAP.  
 MULTIPLY ACROSS EACH ROW THE "MULTIPLIER" x "QTY USED" TO GET THE EQUIVALENT FEET FOR THOSE COMPONENTS.  
 ADD UP ALL THE VALUES IN THE "EQUIVALENT FEET" COLUMN.

| DUCT PIECE  | DESCRIPTION                | MULTIPLIER | QTY USED | EQUIVALENT FEET |
|---|----------------------------|------------|----------|-----------------|
|    | 1' of 8" Round Duct        | 1          |          |                 |
|    | 1' of 4" x 14" Rect. Duct  | 1          |          |                 |
|    | 8" 90 Degree Elbow         | 12         |          |                 |
|    | 8" 45 Degree Elbow         | 7          |          |                 |
|    | 4" x 14" 90 Degree         | 14         |          |                 |
|   | 4" x 14" 45 Degree         | 8          |          |                 |
|  | 4" x 14" x 8" Round        | 2          |          |                 |
|  | 4" x 14" x 8" 90 Degree    | 4          |          |                 |
|  | 8" Round Wall Cap w Damper | 24         |          |                 |
|  | 4" x 14" Wall Cap w Damper | 24         |          |                 |
|  | 8" Round Roof Cap          | 33         |          |                 |
| <b>TOTAL EQUIVALENT FEET SHOULD BE LESS THAN 100</b>                                |                            |            |          |                 |

# TYPICAL INSTALLATION EXAMPLES



WALL EXHAUST

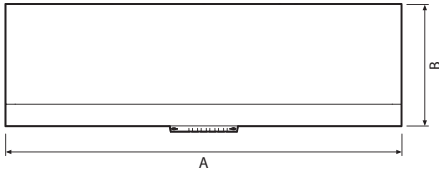


ROOF EXHAUST

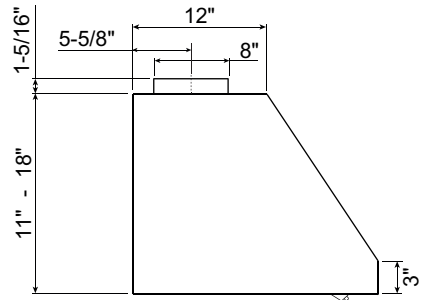


# DIMENSIONS

## › Front of hood

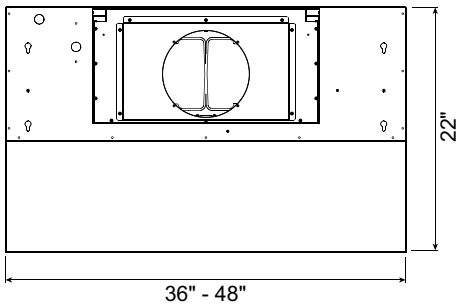


## › Side of hood



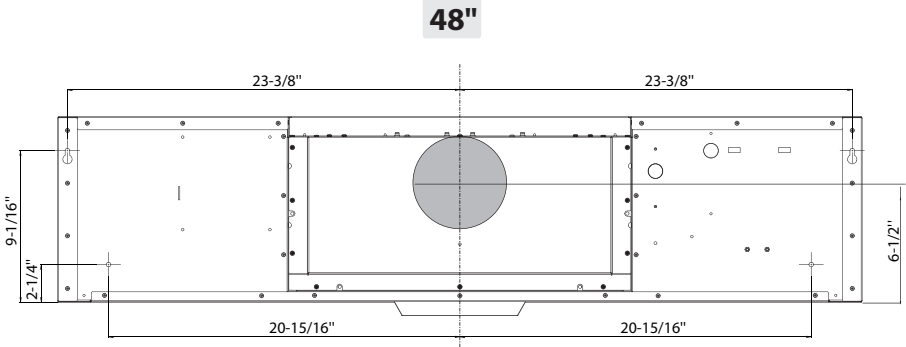
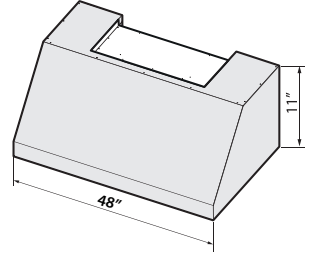
| MODEL      | A   | B   |
|------------|-----|-----|
| XOT48KSE   | 48" | 11" |
| XOT1836KSE | 36" | 18" |
| XOT1848KSE | 48" | 18" |

## › Top of hood



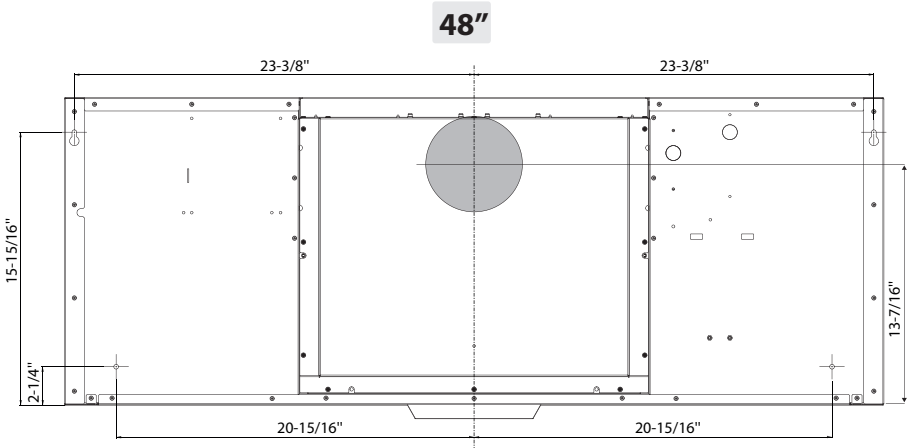
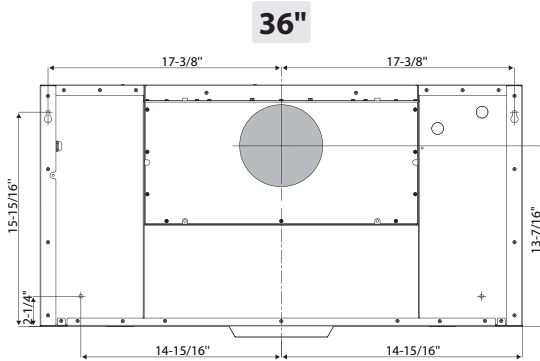
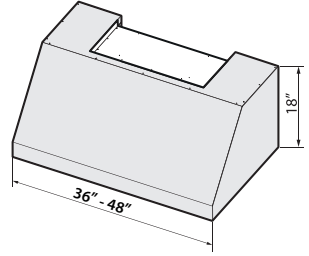
# DIMENSIONS

› **Rear of hood**  
(alt vent location see page 15)

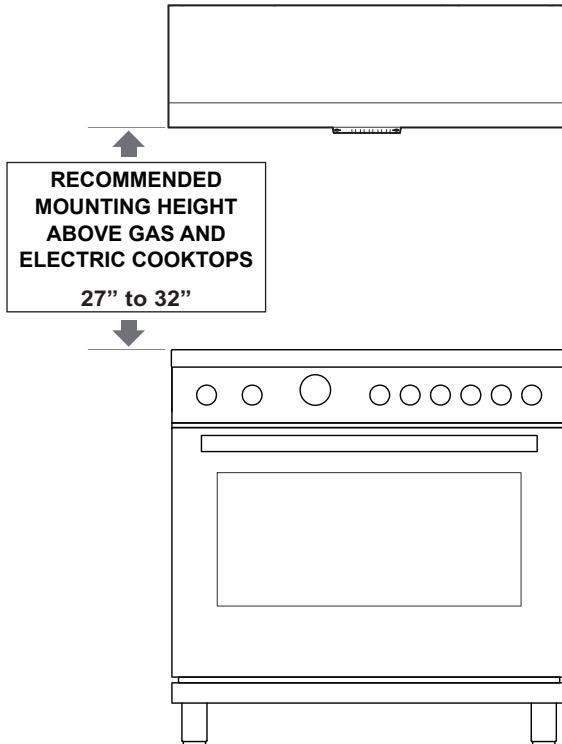


# DIMENSIONS

› **Rear of hood**  
(alt vent location see page 15)



# HIGHS AND LOWS



All range hoods have a recommended range of installation height over the cooking surface.

It is important to install the hood at the proper mounting height. Hoods mounted too low could result in heat damage and fire hazard; while hoods mounted too high will be hard to reach and will lose its performance and efficiency.

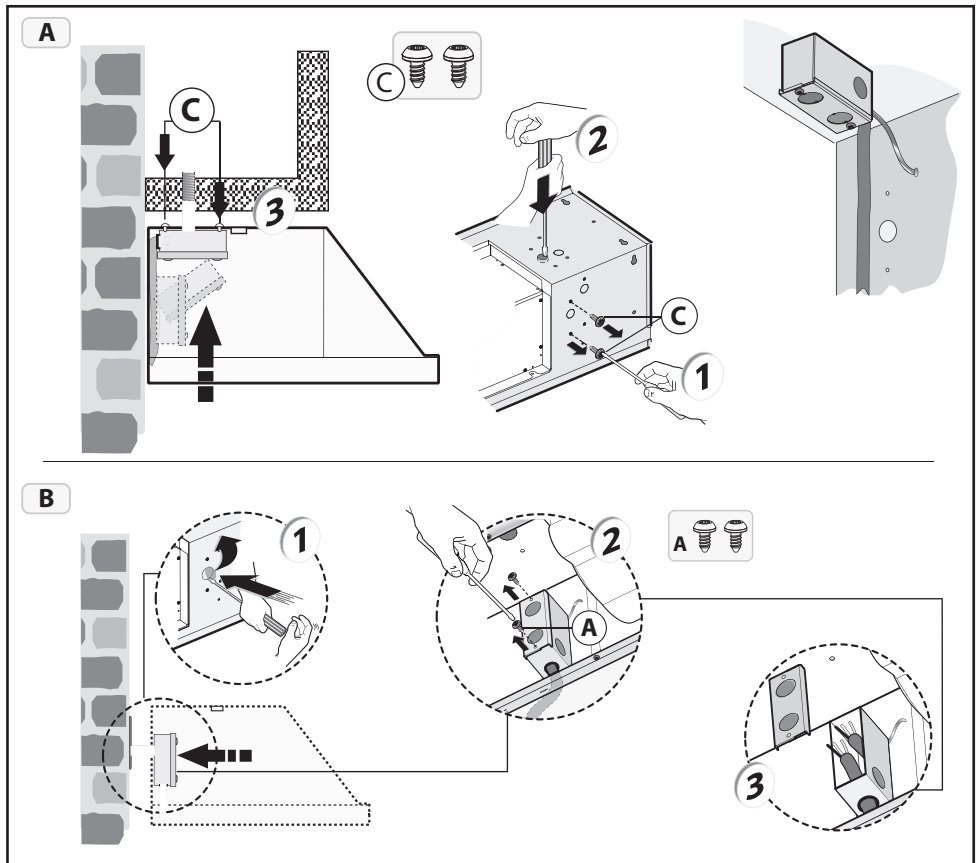


**OPTIONAL:** the electric power supply box can be removed and fixed in the position indicated in **Fig.3A**.

■ **WARNING - TO REDUCE THE RISK OF FIRE, ELECTRIC SHOCK, OR INJURY TO PERSONS, OBSERVE THE FOLLOWING:** Before connecting the appliance to the power supply network, the electric plant box must be positioned in the seat.

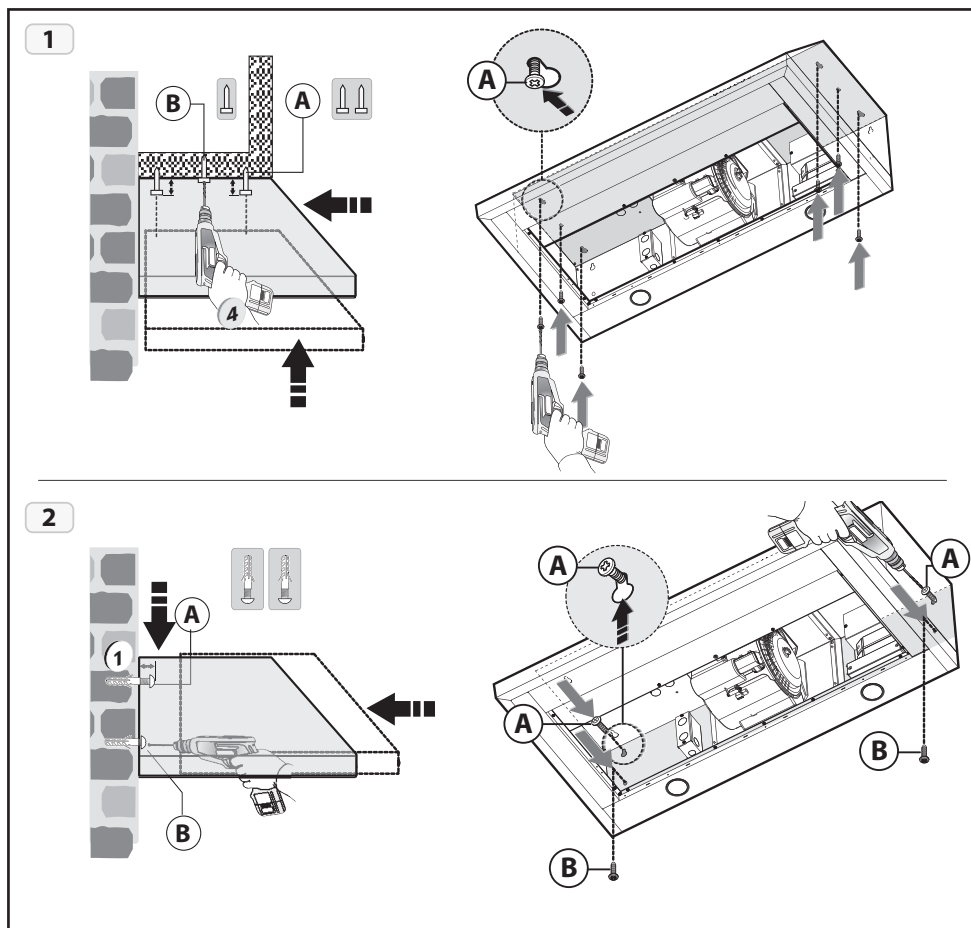
To move the electric power supply box, refer to that indicated in **Fig.3A**:

1. Loosen the two screws **C** **Fig.3A.1**.
2. Break and remove the small circular metal sheet positioned in the upper part of the hood, with the aid of a flat screwdriver **Fig.3A.2**.
3. Take the electric connection box and fix it using the 2 screws **C**, previously removed, in the position indicated in **Fig.3A.3**.
4. For the electric power supply connection refer to **Fig.3B.2-Fig.3B.3**.



# INSTALLATION

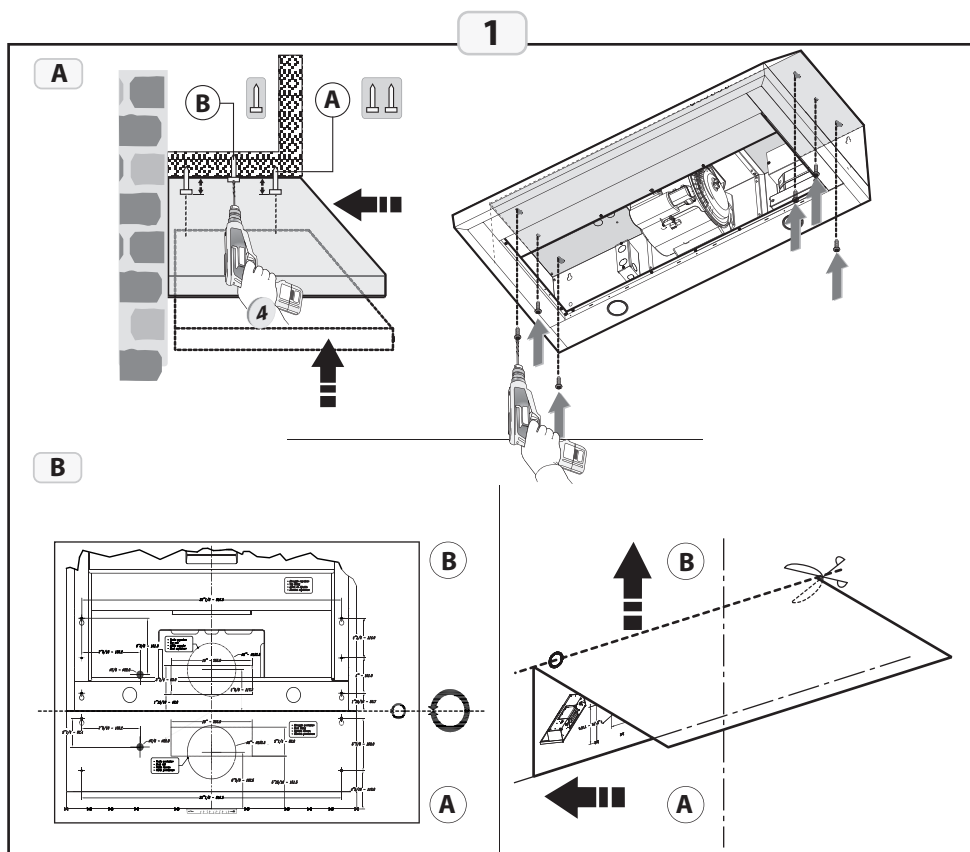
- This product can be installed in 2 different ways:
  - **Mounting the hood in the lower part of the shelf:**  
1 type installation
  - **Mounting the hood on the wall:**  
2 type installation.



# INSTALLATION "1"

## • Mounting the hood in the lower part of the shelf:

- Check that the screws used to mount the hood are suitable for the type of material you are mounting to.
- Position the fixing template underneath the cabinet **Fig.B**, (considering the recommended distance from the cooker top).
- Fix the 4 screws **A** without tightening them completely (**Fig.A**).
- Position the hood on the screws, under the cabinet (**Fig.A**), tighten/fasten the 4 screws **A** and fix it definitively using the 2 safety screws **B**.



# INSTALLATION “2”

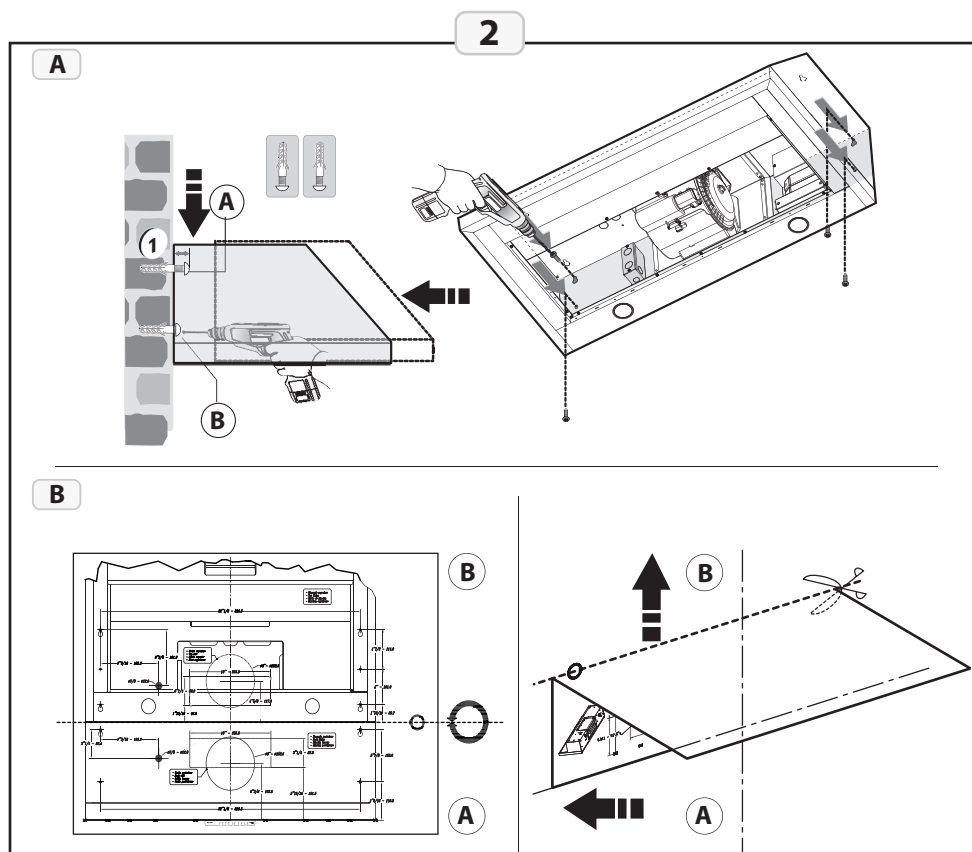
## • Mounting the hood on the wall:

Position the fixing template on the wall **Fig.B** (considering the recommended distance from the cooker top).

- Fix the 2 upper screws **A** without tightening them completely along with the plugs **Fig.A**.
- Hang the hood on the wall, aligning it in a horizontal position and tighten/fasten the 2 screws **A**. When it has been regulated, fix it definitively using the 2 safety screws **B** (**Fig.A**).

For the various installations use screws and screw anchors suited to the type of wall (e.g. reinforced concrete, plasterboard, etc.). If the screws and screw anchors are provided with the product, check that they are suitable for the type of wall on which the hood is to be fixed.

- Limited to installation on plasterboard walls: make sure that the screws are fixed to the wall support elements. If this is not the case, install a support structure made up from 2 by 4 inch cross members in correspondence with the screw anchorage points.





# ELECTRICAL CONNECTION

1. Route the power cord to the junction box inside the hood.
2. Using listed conduit fittings and connectors, connect the power supply to the box and each line to the appropriate wire following this color convention:

**BLACK = HOT LEG**

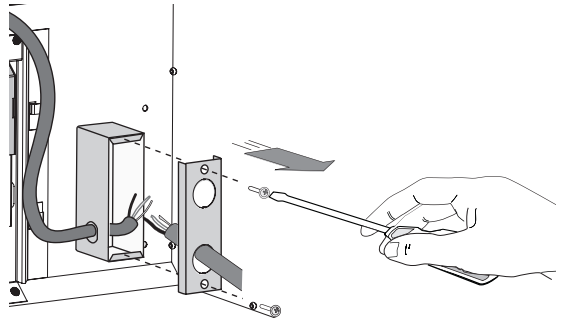
**WHITE = NEUTRAL**

**GREEN/YELLOW = GROUND**

Polarity must be observed.

Unit must be properly grounded.

Use a double throw disconnect switch.



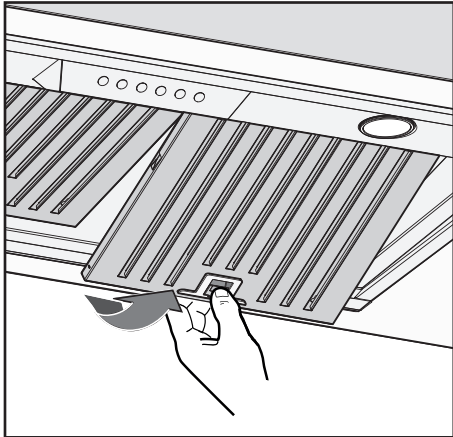
3. Replace the box cover
4. Replace the Anti-grease Baffles.

All wiring must be in compliance with national electrical code, ANSI/NFPA 70-1999 and all local codes and regulations.

# MAINTENANCE

Regular cleaning and maintenance is the key to long life and peak performance of any equipment.

**ANTI-GREASE BAFFLE FILTERS:** Your XO hood is equipped with stainless steel pro-style baffle filters designed to capture grease from cooking. The baffles are easily removed for cleaning either by soaking in a warm, mild dish detergent solution, rinsing thoroughly and drying - or - by washing in your dishwasher.



## TO REMOVE THE BAFFLES:

1. Pull down on the release latch (shown left)
2. Lower the front edge of the baffle
3. Pull forward and remove
4. To replace, insert the rear of the baffle, holding the latch open, swing the the front up into place and release the latch.

The importance of this simple process is essential for two reasons. First to help keep your kitchen clean and healthy, but it is also critical to minimize the risk of fire.

Baffle filters should be cleaned at least once every 2 months, more frequently depending on the type of cooking performed and the build up of grease.

## CLEANING STAINLESS STEEL:

Do not use corrosive detergents, abrasive detergents or oven cleaners.

Do not use any product containing chlorine bleach or any product containing chloride.

Do not use steel wool or abrasive scrubbing pads which will scratch and damage surface.

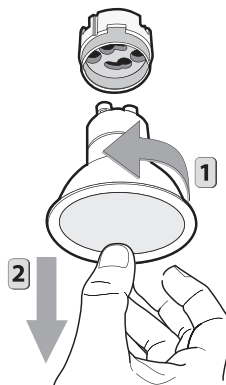
Cleaning Stainless Steel Clean periodically with warm soapy water and clean cotton cloth or micro fiber cloth. Always rub in the direction of the stainless steel grain. To remove heavier grease build up use a liquid degreaser detergent. After cleaning use a non-abrasive stainless steel polish/cleaners, to polish and buff out the stainless luster and grain. Always rub lightly, with a clean cotton cloth or a micro fiber cloth and buff in the direction of the stainless steel grain.

Any painted surfaces should be cleaned with warm water and detergent only.

# MAINTENANCE CONTINUED

## LED LIGHT REPLACEMENT

To replace the bulbs, rotate the lamp anticlockwise as shown in Figure. Replace the bulbs with new ones of the same type.



**XOPSPK6509**

# EASY TO OPERATE



Your XO range hood is controlled by these electronic push buttons which illuminate when activated.

**BUTTON**  : LIGHT

**BUTTON 0:** OFF

**BUTTON 1:** SPEED I

**BUTTON 2:** SPEED II

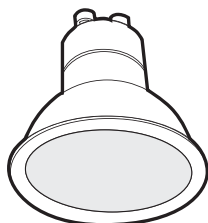
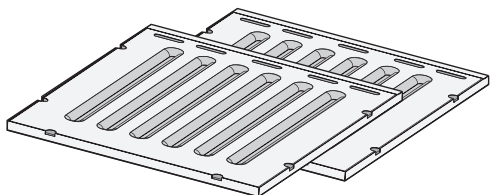
**BUTTON 3:** SPEED III

**BUTTON T:** AUTOMATIC STOP TIMER - 5 minutes (\*)

• The appliance has the **Power Boost** speed function: press **BUTTON 3** for two seconds and it will be activated for 6 minutes after which it will return to the previously set speed. When the function is active the LED flashes. To interrupt it before the 6 minutes have expired press **BUTTON 3** again.

(\*) The “**automatic stop timer**” delays stopping of the hood, which will continue functioning for 5 minutes at the operating speed set at the time this function is activated.

# ACCESS PARTS & ACCESSORIES



REPLACEMENT LIGHTS

DUCT COVERS

REPLACEMENT SWITCHES

BLOWER MOTORS

FAN WHEELS

**ALL OF THESE PARTS AND MORE ARE AVAILABLE, SIMPLY VISIT [WWW.XOAPPLIANCE.COM](http://WWW.XOAPPLIANCE.COM) and click on PARTS STORE OR CALL US AT 973-403-8900**

# WE'VE GOT YOUR BACK

**90 DAY LOVE IT or LEAVE IT.** For 90 Days all our products are backed by our unique Love it or Leave it Guarantee. **TWO-YEAR PARTS & LABOR LIMITED WARRANTY.** XO warrants to the original purchaser of every new XO ventilation unit, the cabinet and all parts thereof, to be free from defects in material or workmanship under normal and proper use and maintenance as specified by XO and upon proper installation and start-up in accordance with the instruction packet supplied with each XO unit. XO's obligation under this warranty is limited to a period of two (2) years from the date of original purchase.

**WARRANTY CLAIMS.** All claims for labor or parts must be made directly through XO. All claims should include: model number and serial number of cabinet, proof of purchase, and date of installation. In case of warranted compressor, the compressor model tag must be returned to XO along with the above listed information.

**WHAT IS NOT COVERED BY THIS WARRANTY.** XO's sole obligation under this warranty is limited to either repair or replacement of parts, subject to the additional limitations below. This warranty neither assumes nor authorizes any person to assume obligations other than those expressly covered by this warranty. Open box, factory seconds, scratch and dent, floor models and commercial applications are excluded from these warranties.

**WARRANTY IS NOT TRANSFERABLE.** This warranty is not assignable and applies only in favor of the original purchaser/user at the original installation location. Any such assignment or transfer shall void the warranties herein made and shall void all warranties, express or implied, including any warranty or merchantability or fitness for a particular purpose.

**IMPROPER USAGE.** XO assumes no liability for parts or labor coverage for component failure or other damages resulting from improper usage or installation or failure to clean and/or maintain product as set forth in the warranty packet provided with the unit. **ALTERATION OR NEGLIGENCE.** XO is not responsible for the repair or replacement of any parts that XO determines have been subjected after the date of manufacture to alteration, neglect, abuse, misuse, accident, damage during transit or installation, fire, flood, or act of God.

**IMPROPER ELECTRICAL CONNECTIONS.** XO is not responsible for the repair or replacement of failed or damaged components resulting from electrical power failure, high or low voltage, use of extension cords, or improper grounding of the unit.

**YOUR RIGHTS UNDER STATE LAW.** This warranty gives you specific legal rights and you may have other rights that vary from state to state. Some states do not allow the exclusion or limitation of consequential damages or a limitation on how long an implied warranty lasts, so the above exclusion or limitation may not apply to you.

**OUTSIDE U.S.** This warranty does not apply to, and XO is not responsible for, any warranty claims made on products sold or used outside the 48 continental United States.

## To obtain service:

Call 973-403-8900 | email [service@xoappliance.com](mailto:service@xoappliance.com) | or submit a request on our website [www.xoappliance.com](http://www.xoappliance.com)



**T O U T  
C E Q U E  
V O U S D E V E Z  
S A V O I R  
S U R V O T R E**

**XO**

**XOT UNDER CABINET**  
MODÈLES XOT48KSE, XOT1836KSE, XOT1848KSE

J'ai travaillé très  
dur sur ce manuel -  
veuillez donc le lire...

**XO**

# XO

VENTILATION

Lorsque vous achetez un appareil XO vous pouvez être sûr que vous avez choisi un produit de haute qualité, innovant et élégant d'une entreprise qui se soucie de vous !

Si vous avez besoin d'un service ou si vous avez des questions, il existe 2 façons de contacter nos experts en ventilation ;

En ligne @ <https://xoappliance.com/priority-service-for-your-xo-product/> Ou par téléphone 973-403-8900



## FÉLICITATIONS

pour l'achat de votre XO.  
Avant de continuer, prenez un instant pour enregistrer votre XO à l'adresse :

[www.xoappliance.com/register-your-product/](http://www.xoappliance.com/register-your-product/)

## L'INSCRIPTION VOUS AIDE EN -

Assurant la couverture de garantie si vous avez besoin d'un service. Vérifiant la propriété à des fins d'assurance XO vous avertit en cas de changement de produit ou de rappel.



# OÙ SONT LES CHOSES

## **SE PRÉPARER**

**29 - 37**

Sécurité et précautions  
Planification des conduits  
Exemples d'installation  
Dimensions

## **L'INSTALLATION**

**38 - 43**

Hauteur de montage  
Évent d'échappement supérieur ou arrière  
Installation  
Connexions électriques

## **ENTRETIEN**

**44 - 45**

Filtres  
Nettoyage  
Recirculation  
Remplacement de la lumière

## **FONCTIONNEMENT**

**46 - 47**

Commandes du bouton-poussoir

## **PIÈCES et GARANTIE**

**48 - 49**

**DEUILLEZ LIRE ET SUIVRE  
TOUTES LES CONSIGNES DE  
SÉCURITÉ**

C'est pour  
votre bien...  
Honnêtement.

**XO**

# LA SÉCURITÉ D'ABORD

## ■ INSTRUCTIONS DE SECURITE IMPORTANTES

### ■ POUR UN USAGE DOMESTIQUE EXCLUSIVEMENT

### ■ LIRE ET CONSERVER LES INSTRUCTIONS

#### ■ COMMENCER PAR LIRE ENTIEREMENT LES INSTRUCTIONS.

■ **IMPORTANT:** Conserver les Instructions à usage des Inspecteurs Electriques Locaux.

■ **A L'ATTENTION DE L'INSTALLATEUR:** Laisser les Instructions dans l'unité à usage du propriétaire.

■ **A L'ATTENTION DU PROPRIETAIRE:** Conserver les Instructions pour des consultations ultérieures.

■ N'utiliser des produits de nettoyage ou des détergents qu'avec la plus grande prudence.

■ Cet appareil est propre à une utilisation domestique et culinaire.

■ **AVERTISSEMENT** – Afin de réduire les risques d'incendie ou d'électrocution, ne pas utiliser le moteur avec un Dispositif de Contrôle de la Vitesse à Semi-conducteurs quel qu'il soit.

■ **ATTENTION** – Afin de réduire les risques d'incendie et de permettre une aspiration correcte de l'air, s'assurer que celui-ci est bien transporté à l'extérieur à travers un conduit d'évacuation. – Ne pas évacuer l'air dans des interstices tels qu'entre des cloisons ou des plafonds, dans des greniers, des espaces confinés ou des garages.

■ **ATTENTION** – N'utiliser que pour une ventilation générique. Cet appareil n'est pas propre à l'aspiration de matières ou de vapeurs dangereuses ou explosives.

■ **ATTENTION** – Afin d'éviter des bruits et des dommages au niveau du moteur, et/ou un déséquilibre au niveau des hélices, veiller à ce que l'unité d'alimentation n'entre pas en contact avec du spray, de la poussière etc.

■ **ATTENTION** – Pour obtenir des compléments d'informations, consulter l'étiquette de spécification sur le produit.

■ **AVERTISSEMENT** – AFIN DE RÉDUIRE LES RISQUES D'INCENDIE, D'ÉLECTROCUTION OU DE DOMMAGES AUX PERSONNES, RESPECTER LES REGLES SUIVANTES:

**A.** N'utiliser l'unité que pour les opérations prévues par le fabricant. Pour toute question éventuelle, contacter le fabricant.

**B.** Avant d'effectuer des opérations de maintenance ou de nettoyage sur l'unité, débrancher le panneau de service et fermer à clef les commandes de déconnection

afin d'éviter toute mise sous tension accidentelle.

Au cas où les commandes de déconnexion ne pourraient être fermées à clef, fixer sur le panneau de service un message avertissant du danger, par exemple une plaque.

■ **AVERTISSEMENT – AFIN DE RÉDUIRE LES RISQUES D'INCENDIE PAR INFLAMMATION DES GRAISSES PRESENTES SUR LA GAZINIÈRE:**

- A. Ne jamais laisser de casseroles sur feu vif sans surveillance. D'éventuels débordements dus à une forte ébullition peuvent provoquer de la fumée et des dépôts de graisses susceptibles de prendre feu. Réchauffer l'huile lentement, à petit feu ou moyen.
- B. ALLUMER systématiquement la hotte pour cuisiner à des températures élevées.
- C. Nettoyer souvent le moteur. Eviter que les graisses ne s'accumulent sur le moteur ou sur le filtre.
- D. Utiliser des plats aux dimensions adaptées. Toujours utiliser des ustensiles de cuisine adaptés à la taille de la casserole qui se trouve sur la cuisinière.
- E. Veiller à ce que le moteur, les filtres et la surface où viennent s'accumuler les graisses restent propres.
- F. N'utiliser une flamme élevée que lorsque cela est nécessaire. Réchauffer l'huile lentement, à faible ou moyenne température.
- G. Ne jamais laisser la cuisinière sans surveillance pendant la cuisson.
- H. Utiliser systématiquement des ustensiles de cuisine adaptés au type et à la quantité d'aliments que l'on prépare.

■ **AVERTISSEMENT – AFIN DE RÉDUIRE LES RISQUES DE DOMMAGES AUX PERSONNES EN CAS D'INCENDIE PAR INFLAMMATION DES GRAISSES PRESENTES SUR LA CUISINIÈRE, RESPECTER LES REGLES SUIVANTESa:**

- A. ETOUFFER LA FLAMME à l'aide d'un couvercle hermétique, une plaque à four ou un plateau en métal et éteindre le brûleur. PROCEDER AVEC LA PLUS GRANDE PRUDENCE AFIN D'EVITER TOUTE BRULURE. Si les flammes ne s'éteignent pas immédiatement, EVACUER LA PIECE ET APPELER LES POMPIERS.
- B. NE JAMAIS TOUCHER UN PLAT EN FEU – on risque de se brûler.
- C. NE PAS UTILISER D'EAU, ni de chiffons ou de serviettes humides – cela pourrait provoquer une violente explosion de vapeur.
- D. Utiliser un extincteur UNIQUEMENT dans les cas suivants:
  - 1. On dispose d'un extincteur de Classe ABC que l'on sait faire fonctionner.
  - 2. L'incendie est peu important et il est confiné à la zone où il a éclaté.
  - 3. On a déjà appelé les pompiers.
  - 4. On peut affronter les flammes tout en ayant une issue de secours derrière soi.

aBasé sur les « mesures de sécurité incendie dans la cuisine » publiées par l'organisme NFPA.

**Une bonne maintenance de la hotte garantit le parfait fonctionnement de l'unité.**

## ■ INSTRUCTIONS D'INSTALLATION

**AVERTISSEMENT** – AFIN DE RÉDUIRE LES RISQUES D'INCENDIE, D'ÉLECTROCUTION OU DE DOMMAGES AUX PERSONNES, RESPECTER LES REGLES SUIVANTES:

- A. Les opérations d'installation et de branchement électrique doivent être effectuées par du personnel qualifié, conformément aux lois et aux normes en vigueur, y compris celles relatives aux appareils à feu.
- B. Il est nécessaire de disposer d'une quantité d'air suffisante pour une bonne combustion et aspiration des gaz à travers le conduit de fumée de l'installation de combustion du carburant, afin d'éviter un appel d'air de l'arrière. Suivre les indications du fabricant de l'installation de chauffage et les normes de sécurité correspondantes telles que celles émises par l'Association Nationale de Protection contre les Incendies (National Fire Protection Association - NFPA), la Société Américaine des Techniciens de Chauffage, Réfrigération et Climatisation de l'Air (American Society for Heating, Refrigeration and Air Conditioning Engineers - ASHRAE), et par les autorités locales préposées.
- C. Au cours des opérations de découpage ou de perforation du mur ou du plafond, veiller à ne pas endommager les câbles électriques ou d'autres canalisations cachées.
- D. L'appareil doit toujours être relié à un trou d'évacuation vers l'extérieur.
- E. L'unité doit être reliée à la terre.

■ **AVERTISSEMENT** – AFIN DE RÉDUIRE LES RISQUES D'INCENDIE, N'UTILISER QUE DESCONDUITS METALLIQUES

■ **AVERTISSEMENT** – LES APPAREILS ELECTROMENAGERS PEUVENT PARFOIS S'AVERER DANGEREUX.

- A. Ne pas contrôler les filtres lorsque la hotte est en état de marche.
- B. Ne pas toucher les lampes après une utilisation prolongée de l'appareil.
- C. Ne jamais faire flamber d'aliments sous la hotte.
- D. L'usage de flammes libres est dangereux pour les filtres et peut générer des incendies.
- E. Contrôler constamment les fritures pour éviter que des éclaboussures d'huile ne prennent feu.
- F. Avant d'effectuer toute opération de maintenance, débrancher la hotte du réseau d'alimentation électrique.

■ Le fabricant ne pourra être retenu responsable d'éventuels dommages causés par le non respect des instructions susmentionnées.

# QUELQUES RÈGLES SIMPLES POUR PLANIFIER VOTRE CANALISATION

CETTE HOTTE EST CONÇUE POUR UTILISER UN CONDUIT ROND DE 8 PO - IL PEUT ÊTRE TRANSITIONNÉ EN UN CONDUIT RECTANGULAIRE 4 po X 14 po

NE JAMAIS RÉDUIRE LA TAILLE DU CONDUIT. LES CONDUITS SOUS-DIMENSIONNÉS RESTREIGNENT CONSIDÉRABLEMENT LE DÉBIT D'AIR ET NUISENT AUX PERFORMANCES.

(Exemple : la surface d'un conduit de 8 po est plus de 75% plus grande qu'un conduit de 6 po)

GARDER LES CONDUITES AUSSI COURTES ET DROITES QUE POSSIBLE.

ÉVITEZ D'UTILISER DES CONDUITS MÉTALLIQUES FLEXIBLES SI LA LONGUEUR EST SUPÉRIEURE À 6 pi.

N'UTILISEZ JAMAIS DE CONDUITS EN PLASTIQUE.

UTILISER UN CONDUIT MÉTALLIQUE À ALÉSAGE LISSE.

MINIMISER LE NOMBRE DE RACCORDS (voir tableau).

LORSQUE VOUS DEVEZ UTILISER DES RACCORDS, ESSAYEZ DE LES SÉPARER AVEC DES SECTIONS DE 4 pi OU PLUS DE CONDUIT DROIT.

SUIVEZ TOUJOURS LES DIRECTIVES DU FABRICANT POUR L'ÉQUIPEMENT DE CUISSON QUE VOUS VENTILEZ.

SI DES AMORTISSEURS DE COMMANDE D'AIR SONT NÉCESSAIRES, POSITIONNEZ LE CAPTEUR DANS UN CONDUIT EN LIGNE DROITE IDÉALEMENT AVEC UN CONDUIT EN LIGNE DROITE DE 4 pi ENTRE CHAQUE CÔTÉ DU CAPTEUR ET UN RACCORD DE CONDUIT. N'OUBLIEZ PAS D'INCLURE LE CÂBLAGE D'ALIMENTATION ET DE COMMANDE DANS VOS PLANS.

RESPECTEZ TOUS LES CODES ET DÉCRETS LOCAUX DU BÂTIMENT.

UTILISEZ LA FEUILLE DE TRAVAIL QUI SUIT POUR VOUS AIDER À CALCULER LE **TOTAL DES PIEDS ÉQUIVALENTS** DE VOTRE CONDUIT.

LE TOTAL DES PIEDS ÉQUIVALENTS DOIT ÊTRE INFÉRIEUR À 100 pi.

# ESTIMATION DES PIEDS ÉQUIVALENTS TOTAUX DANS UN CONDUIT


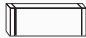









LE FAIT DE PROVOQUER UN CHANGEMENT DE DIRECTION DE L'AIR PROVOQUE DES TURBULENCES ET RESTREINT LE DÉBIT DANS UN SYSTÈME.  
SI VOUS UTILISEZ UN CONDUIT MÉTALLIQUE FLEXIBLE - AUGMENTEZ TOUS LES MULTIPLICATEURS DE 50 % (12 DEVIENT 18 - ETC.)

CETTE FEUILLE DE CALCUL FACILE À UTILISER EST POUR 1000 CFM OU MOINS.  
SOUS « QTÉ UTILISÉE », ENTREZ LE MODE D'UTILISATION DE CHAQUE SECTION.  
DANS LES DEUX PREMIÈRES LIGNES - ENTREZ LE NOMBRE DE PIEDS DE CHAQUE TYPE DE CONDUIT DROIT QUE VOUS UTILISEREZ (C.-À-D. POUR 20 PI, ENTREZ 20, POUR 30 PI, ENTREZ 30).

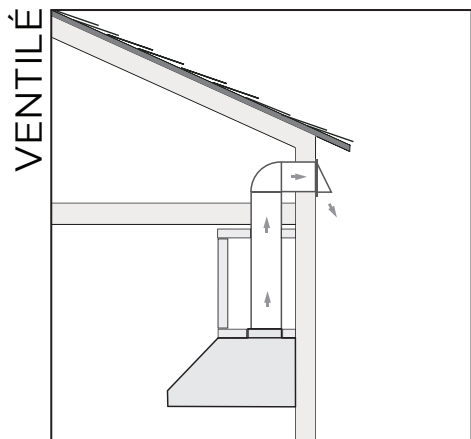
SAISISSEZ LE NOMBRE DE CHAQUE TYPE DE COURBE QUE VOUS UTILISEZ ET LE TYPE DE CAPUCHON D'EXTRÉMITÉ OF.

MULTIPLIEZ SUR CHAQUE LIGNE LE « MULTIPLICATEUR » X « QUANTITÉ UTILISÉE » POUR OBTENIR LES PIEDS ÉQUIVALENTS POUR CES COMPOSANTS.

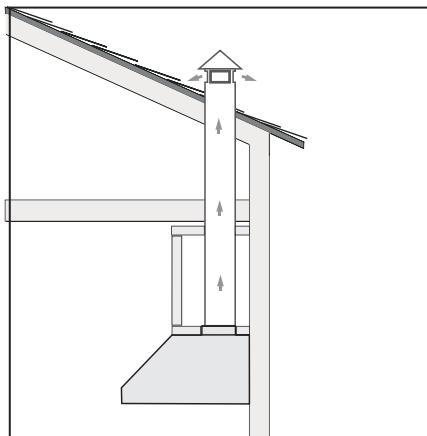
AJOUTEZ TOUTES LES VALEURS DANS LA COLONNE « PIEDS ÉQUIVALENTS ».

| PIÈCE DE CONDUIT  | DESCRIPTION                                     | MULTIPLICATEUR | QTÉ UTILISÉE | PIEDS ÉQUIVALENTS |
|---|---|----------------|--------------|-------------------|
|    | Conduit rond de 1 pi sur 8 po                   | 1              |              |                   |
|    | 1 pi de conduit rectangulaire<br>4 po x 14 po   | 1              |              |                   |
|    | Coude de 8 po à 90 degrés                       | 12             |              |                   |
|    | Coude de 8 po à 45 degrés                       | 7              |              |                   |
|    | 4 po x 14 po à 90 degrés                        | 14             |              |                   |
|   | 4 po x 14 po à 45 degrés                        | 8              |              |                   |
|  | Rond 4 po x 14 po x 8 po                        | 2              |              |                   |
|  | 4 po x 14 po x 8 po à 90 degrés                 | 4              |              |                   |
|  | Capuchon mural rond de 8 po avec amortisseur    | 24             |              |                   |
|  | Capuchon mural de 4 po x 14 po avec amortisseur | 24             |              |                   |
|  | Capuchon de toit rond de 8 po                   | 33             |              |                   |
| <b>LE TOTAL DES PIEDS ÉQUIVALENTS DOIT ÊTRE INFÉRIEUR À 100</b>                     |   |                |              |                   |

# EXEMPLES D'INSTALLATION TYPIQUES



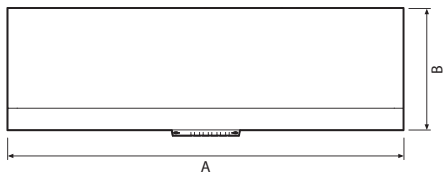
ÉVENT D'ÉCHAPPEMENT  
MURAL



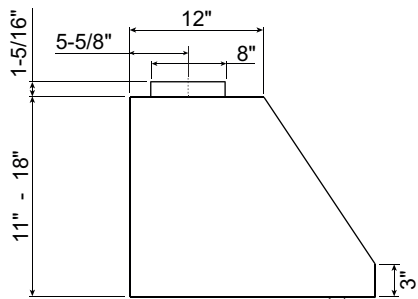
ÉVENT D'ÉCHAPPEMENT  
DE TOIT

# DIMENSIONS

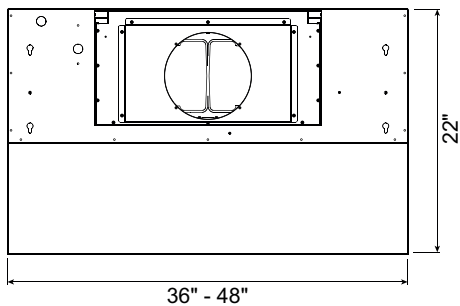
## › Devant de la hotte



## › Côté de la hotte



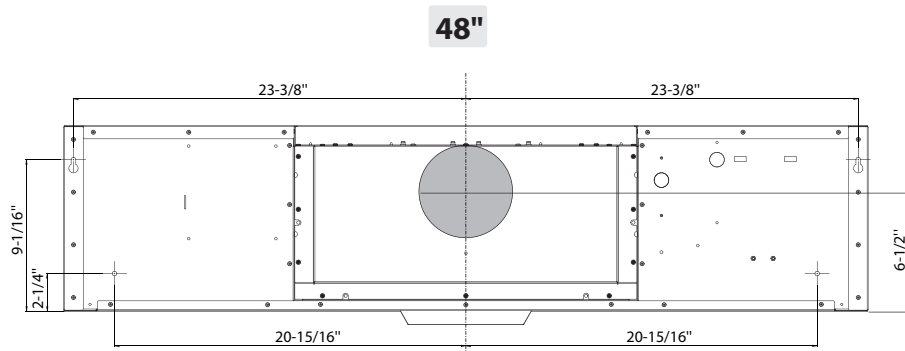
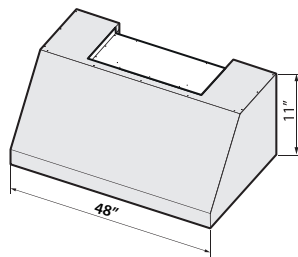
| MODÈLE     | A   | B   |
|------------|-----|-----|
| XOT48KSE   | 48" | 11" |
| XOT1836KSE | 36" | 18" |
| XOT1848KSE | 48" | 18" |





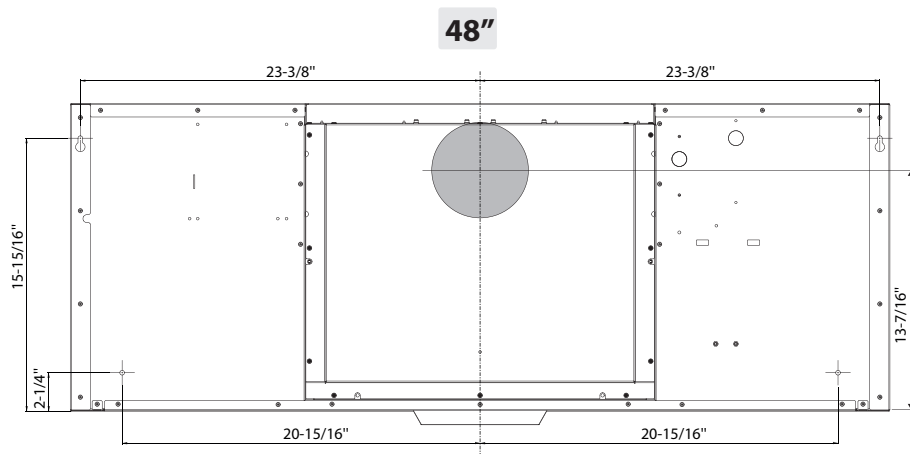
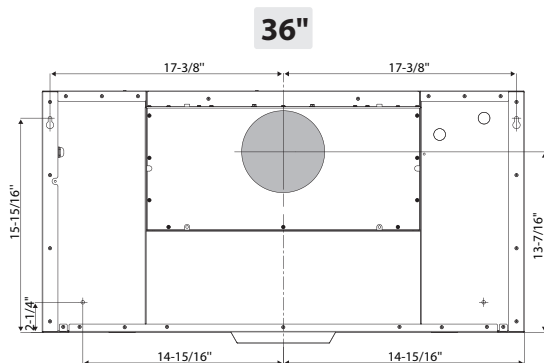
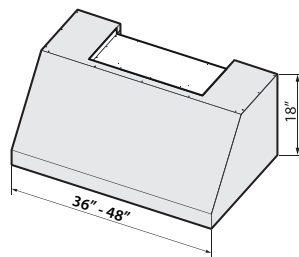
# DIMENSIONS

- › **Arrière de la hotte**  
(emplacement de l'évent alternatif voir page 39)

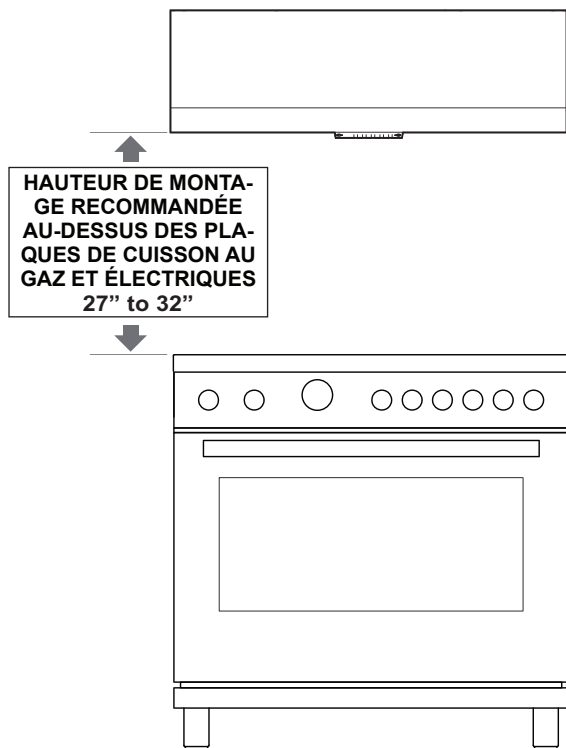


# DIMENSIONS

- › **Arrière de la hotte**  
(emplacement de l'évent alternatif voir page 39)



# HAUTS ET BAS



Toutes les hottes de cuisinière ont une plage de hauteur d'installation recommandée sur la surface de cuisson.

Il est important d'installer la hotte à la bonne hauteur de montage. Les hottes montées trop bas peuvent entraîner des dommages causés par la chaleur et un risque d'incendie ; tandis que les hottes montées trop haut seront difficiles à atteindre et perdront leurs performances et leur efficacité.

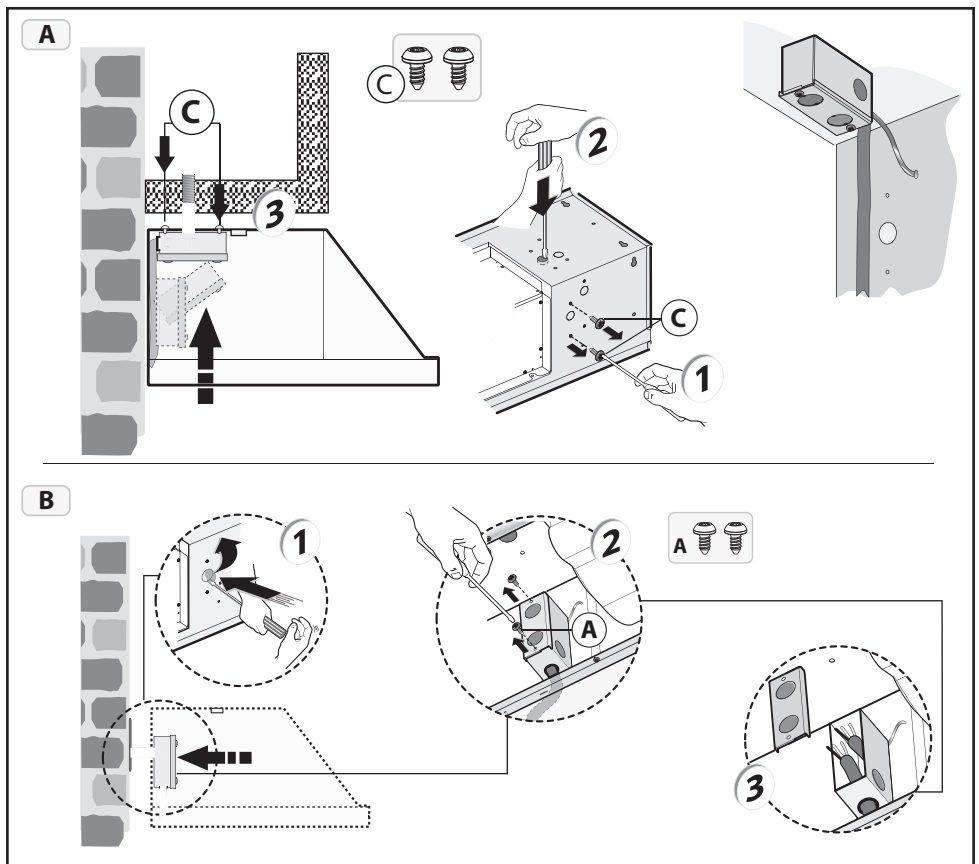


**OPTIONNEL:** La boîte d'alimentation électrique peut être démontée et fixée comme indiqué par la **figure 3A**.

■ **ATTENTION:** CETTE OPÉRATION DOÎT ÊTRE EFFECTUÉE SANS QUE L'APPAREIL NE SOIT BRANCHÉ AU RÉSEAU D'ALIMENTATION. Avant de connecter l'appareil au réseau d'alimentation, le boîtier de l'installation électrique doit être positionné dans le logement.

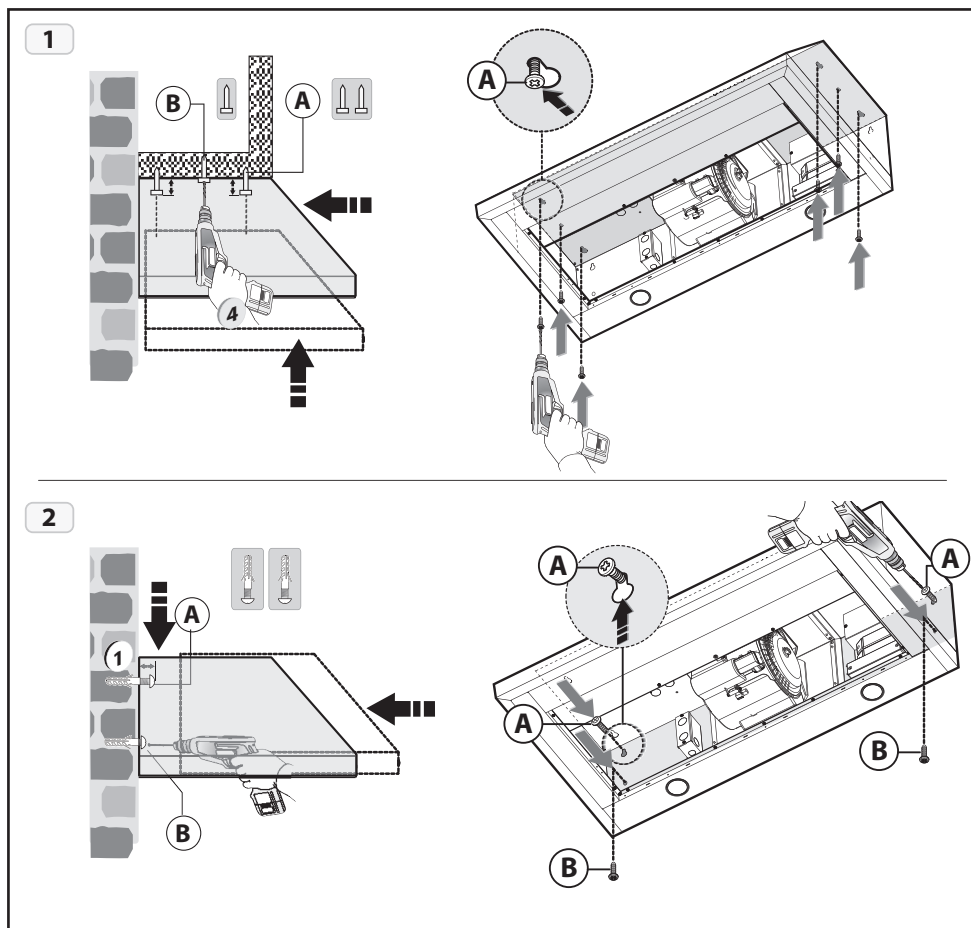
Pour **déplacer le boîtier d'alimentation électrique** voir ce qui est indiqué sur la **Fig.3A**:

1. Dévisser les deux vis **C** **Fig.3A.1**.
2. Casser et enlever la petite plaque métallique ronde située dans la partie supérieure de la hotte en tapant dessus à l'aide d'un tournevis plat **Fig.3A.2**.
3. Prendre le boîtier de connexion électrique et le fixer à l'aide des 2 vis **C** déposées précédemment, dans la position indiquée sur la **Fig.3A.3**.
4. Pour le **branchement à l'alimentation électrique** voir la **figure 3B.2-figure 3B.3**.



# INSTALLATION

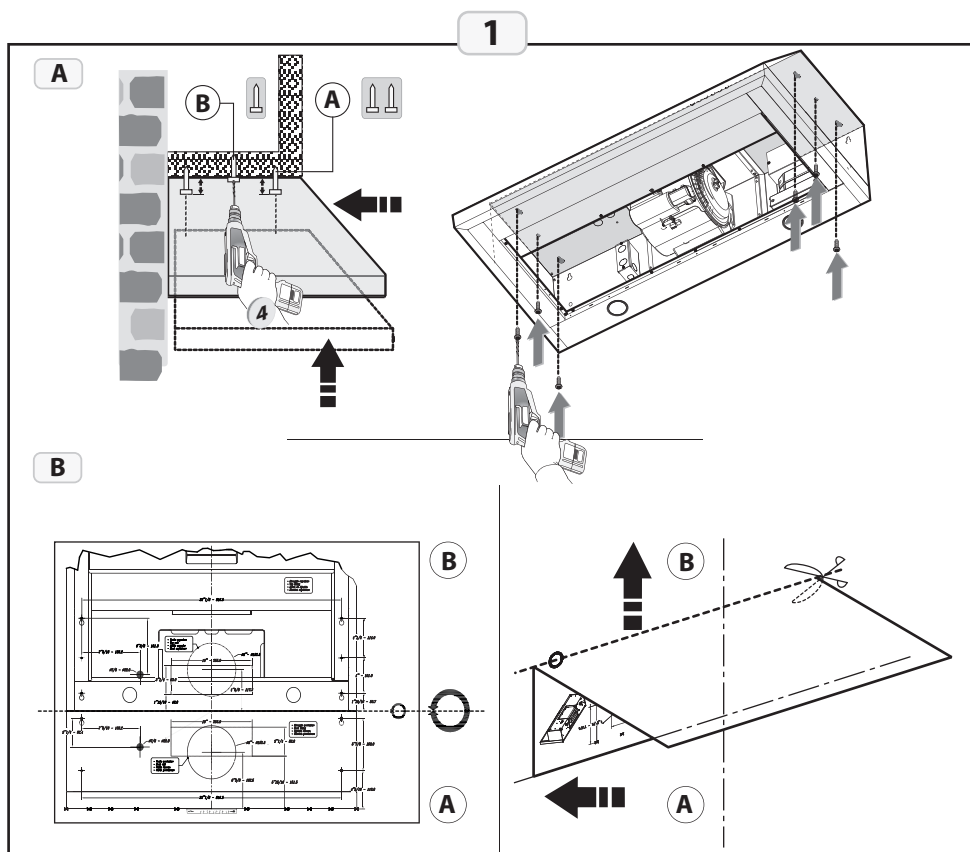
- Ce produit peut être installé de 2 manières différentes:
  - **Montage de la hotte dans la partie inférieure du meuble suspendu:**  
Installation de type 1
  - **Montage de la hotte au mur:**  
Installation de type 2



# INSTALLATION "1"

## • Montage de la hotte dans la partie inférieure du meuble suspendu:

- Pour les vis qui ne sont pas fournies avec le produit, il faut contrôler qu'elles sont adaptées au type de meuble.
- Placer le gabarit de fixation sur la partie inférieure du meuble suspendu **Fig.B** (en tenant compte de la distance minimum du plan de cuisson).
- Fixer les 4 vis **A** sans les visser complètement (**Fig.A**).
- Positionner la hotte sous le meuble suspendu, pousser vers le mur de manière à l'amener en fin de course (**Fig.A**), visser/serrer les 4 vis **A** et la fixer définitivement à l'aide des 2 vis de sûreté **B**.



# INSTALLATION “2”

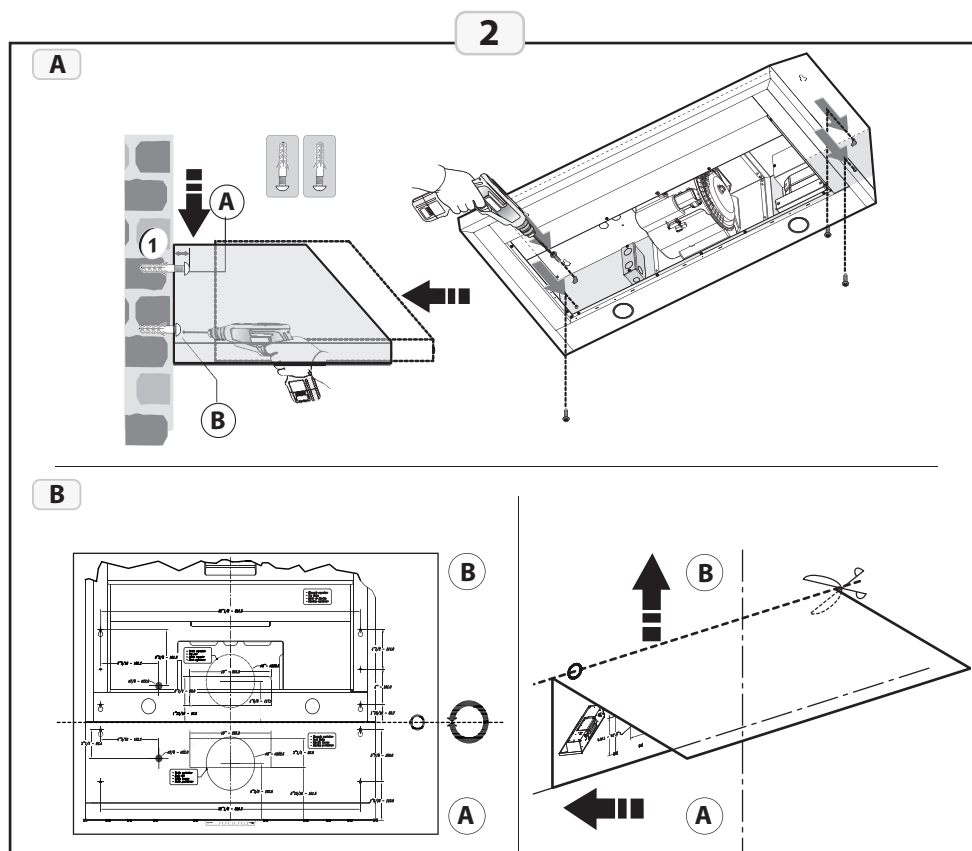
## • Montage de la hotte au mur:

Placer le gabarit de fixation sur le mur **Fig.B** (en tenant compte de la distance minimum du plan de cuisson).

- Fixer les 2 vis supérieures **A** sans les visser complètement et les chevilles à expansion **Fig.A**.
- Suspendre la hotte au mur, en l'alignant en position horizontale et visser/serrer les 2 vis **A**, après le réglage la fixer définitivement à l'aide des 2 vis de sûreté **B** (**Fig.A**).

Pour les différentes installations utiliser les vis et les supports correspondants adaptés au type de mur sur lequel on entend fixer l'appareil (béton armé, placopatre etc.). Dans le cas où les vis et les supports correspondants fournis avec le produit, contrôler qu'ils sont bien adaptés au type de mur sur lequel sera fixé la hotte.

- En ce qui concerne l'installation sur des murs en placoplatre : il faut s'assurer que les vis sont fixées aux éléments portants du mur. Si ce n'est pas le cas, il faut installer une structure de support comprenant des poutres de 2 à 4 pouces en face des points d'ancrage des vis.



# CONNEXION ÉLECTRIQUE

1. Acheminez le cordon d'alimentation vers la boîte de jonction à l'intérieur de la hotte.
2. À l'aide des raccords et connecteurs de conduit répertoriés, connectez l'alimentation à la boîte et chaque ligne au fil approprié en suivant cette convention de couleur :

**NOIR = PIED CHAUD**

**BLANC = NEUTRE**

**VERT/JAUNE = SOL**

La polarité doit être observée.

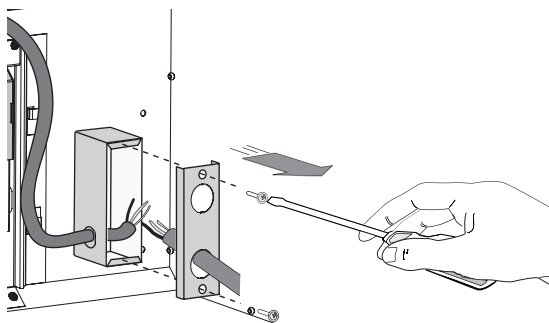
L'unité doit être correctement mise à la terre.

Utilisez un interrupteur de déconnexion à double jet.

3. Remplacez le couvercle de la boîte

4. Remplacez les filtres à chicanes anti-graisse.

Tout le câblage doit être conforme au code électrique national, ANSI/NFPA 70-1999 et à tous les codes et réglementations locaux.

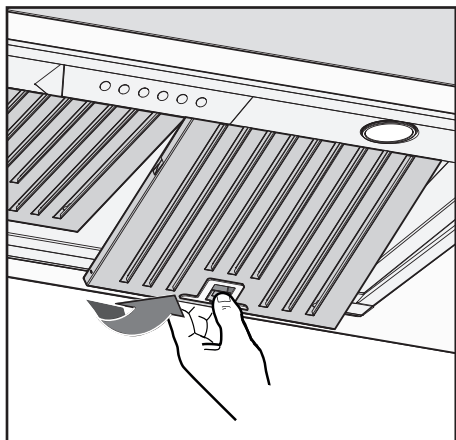




# MAINTENANCE

Le nettoyage et la maintenance réguliers sont la clé d'une longue durée de vie et des performances de pointe de tout équipement.

**FILTRES À CHICANES ANTI-GRAISSE :** Votre hotte XO est équipée de filtres à chicanes en acier inoxydable de style pro conçus pour capturer la graisse de la cuisson. Les filtres à chicanes sont facilement amovibles pour le nettoyage soit en les trempant dans une solution de détergent à vaisselle douce et chaude, en les rinçant soigneusement et en les séchant - soit en les lavant au lave-vaisselle.



**POUR RETIRER LES FILTRES À CHICANES :**

1. Tirez vers le bas sur le loquet de déverrouillage (illustré à gauche)
2. Abaissez le bord avant du filtre à chicanes
3. Tirez vers l'avant et retirez
4. Pour le remplacer, insérez l'arrière du filtre à chicanes, maintenez le loquet ouvert, faites pivoter l'avant vers le haut pour le mettre en place et libérez le loquet.

L'importance de ce processus simple est essentielle pour deux raisons. Tout d'abord pour aider à garder votre cuisine propre et saine, mais il est également essentiel de minimiser le risque d'incendie.

Les filtres à chicanes doivent être nettoyés au moins une fois tous les 2 mois, plus fréquemment selon le type de cuisson effectuée et l'accumulation de graisse.

## **NETTOYAGE DE L'ACIER INOXYDABLE :**

N'utilisez pas de détergents corrosifs, de détergents abrasifs ou de nettoyants pour fours.

N'utilisez aucun produit contenant de l'eau de Javel chlorée ou un produit contenant du chlorure.

N'utilisez pas de laine d'acier ou de tampons abrasifs qui risquent de rayer et d'endommager la surface.

Nettoyage de l'acier inoxydable Nettoyez régulièrement avec de l'eau chaude savonneuse et un chiffon en coton propre ou un chiffon en microfibrés. Frottez toujours dans le sens du grain de l'acier inoxydable. Pour éliminer l'accumulation de graisse plus lourde, utilisez un détergent dégraissant liquide. Après le nettoyage, utilisez un produit de polissage/nettoyant pour acier inoxydable non abrasif pour polir et polir le lustre et le grain de l'acier inoxydable. Frottez toujours légèrement avec un chiffon en coton propre ou un chiffon en microfibrés et polissez dans le sens du grain de l'acier inoxydable.

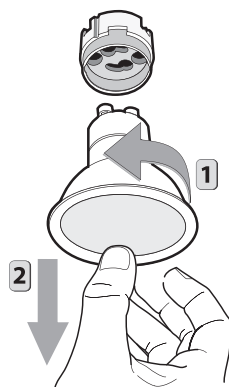
Toutes les surfaces peintes doivent être nettoyées avec de l'eau chaude et du détergent uniquement.

# SUITE DE LA MAINTENANCE

## REPLACEMENT DES LAMPES

Pour le remplacement des lampes, tourner la lampe dans le sens antihoraire comme représenté sur la figure.

Remplacez les par des ampoules de même type.




**XOPSPK6509**

# FACILE À UTILISER



Votre hotte XO est commandée par ces boutons-poussoirs électroniques qui s'allument lorsqu'ils sont activés.

**BOUTON**  : ECLAIRAGE

**BOUTON 0** : OFF

**BOUTON 1** : PREMIERE VITESSE

**BOUTON 2** : DEUXIEME VITESSE

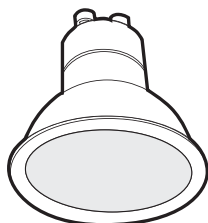
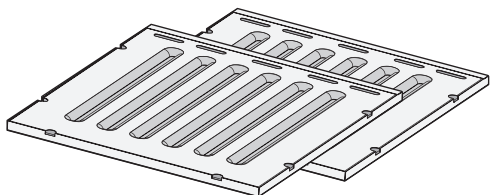
**BOUTON 3** : TROISIEME VITESSE

**BOUTON T** : MINUTEUR ARRET AUTOMATIQUE 5 minutes (\*)

- Fonction vitesse **Power Boost**: maintenir appuyé pendant environ 2 secondes le **BOUTON 3** pour activer la fonction pendant 6 minutes, après quoi elle retournera à la vitesse établie en précédence. Quand la fonction est active, la LED clignote. Pour l'interrompre avant les 6 minutes, presser de nouveau sur le **BOUTON 3**.

(\*) La fonction "minuter arrêt automatique" retarde l'arrêt de la hotte, qui continuera de fonctionner à la vitesse de service en cours au moment de l'activation de cette fonction, pendant 5 minutes.

# ACCESSOIRES ET PIÈCES D'ACCÈS



LUMIÈRES DE REMPLACEMENT  
COUVERCLES DE CONDUITS  
INTERRUPTEURS DE REMPLACEMENT  
MOTEURS DE VENTILATEUR  
ROUES DE VENTILATEUR

**TOUTES CES PIÈCES ET PLUS SONT DISPONIBLES, VISITEZ  
SIMPLEMENT [WWW.XOAPPLIANCE.COM](http://WWW.XOAPPLIANCE.COM) et cliquez sur LE  
MAGASIN DE PIÈCES OU APPELEZ-NOUS AU 973-403-8900**

# ON COUVRE VOS ARRIÈRES

**GARANTIE DE REMBOURSEMENT 90 JOURS.** Pendant 90 jours, tous nos produits sont soutenus par notre garantie unique Love it or Leave it.

**GARANTIE LIMITÉE DE DEUX ANS SUR LES PIÈCES et LA MAIN-D' ŒUVRE.** XO garantit à l'acheteur initial de chaque nouvelle unité de ventilation XO, de l'armoire et de toutes les parties de celle-ci, d'être exempt de défauts de matériau ou de fabrication dans le cadre d'une utilisation et d'un entretien normaux et appropriés comme spécifié par XO et lors d'une installation et d'un démarrage appropriés conformément au paquet d'instructions fourni avec chaque unité XO. L'obligation de XO en vertu de cette garantie est limitée à une période de deux (2) ans à compter de la date d'achat initiale.

**RÉCLAMATIONS DE GARANTIE.** Toutes les demandes de main-d' œuvre ou de pièces doivent être faites directement par l'intermédiaire de XO. Toutes les réclamations doivent inclure : le numéro de modèle et le numéro de série de l'armoire, la preuve d'achat et la date d'installation. Dans le cas d'un compresseur garanti, l'étiquette du modèle de compresseur doit être retournée à XO avec les informations énumérées ci-dessus.

**CE QUI N'EST PAS COUVERT PAR CETTE GARANTIE.** La seule obligation de XO en vertu de cette garantie est limitée à la réparation ou au remplacement des pièces, sous réserve des limitations supplémentaires ci-dessous. Cette garantie n'assume ni n'autorise quiconque à assumer des obligations autres que celles expressément couvertes par la présente garantie. Les boîtes ouvertes, les défauts d'usine, les rayures et bosselures, les modèles de plancher et les applications commerciales sont exclus de ces garanties.

**LA GARANTIE N'EST PAS TRANSFÉRABLE.** Cette garantie n'est pas cessible et ne s'applique qu'en faveur de l'acheteur/utilisateur d'origine sur le site d'installation d'origine. Une telle cession ou un tel transfert annulera les garanties faites dans les présentes et annulera toutes les garanties, expresses ou implicites, y compris toute garantie ou qualité marchande ou adéquation à un usage particulier.

**MAUVAISE UTILISATION.** XO n'assume aucune responsabilité pour les pièces ou la main-d' œuvre en cas de défaillance des composants ou d'autres dommages résultant d'une utilisation ou d'une installation incorrecte ou d'un défaut de nettoyage et/ou d'entretien du produit comme indiqué dans le paquet de garantie fourni avec l'unité.

**MODIFICATION OU NÉGLIGENCE.** XO n'est pas responsable de la réparation ou du remplacement des pièces qui, selon XO, ont été soumises après la date de fabrication à une altération, une négligence, un abus, une mauvaise utilisation, un accident, des dommages pendant le transport ou l'installation, un incendie, une inondation ou un cas de force majeure.

**MAUVAISES CONNEXIONS ÉLECTRIQUES.** XO n'est pas responsable de la réparation ou du remplacement des composants défectueux ou endommagés résultant d'une panne d'alimentation électrique, d'une tension élevée ou basse, de l'utilisation de rallonges ou d'une mise à la terre incorrecte de l'appareil.

**VOS DROITS EN VERTU DE LA LOI DE L'ÉTAT.** Cette garantie vous donne des droits légaux spécifiques et vous pouvez avoir d'autres droits qui varient d'un État à l'autre. Certains États n'autorisent pas l'exclusion ou la limitation des dommages indirects ou une limitation de la durée d'une garantie implicite, de sorte que l'exclusion ou la limitation ci-dessus peut ne pas s'appliquer à vous.

**EN dehors des États-Unis** Cette garantie ne s'applique pas et XO n'est pas responsable des réclamations de garantie faites sur les produits vendus ou utilisés en dehors des 48 États-Unis continentaux.

## Pour obtenir de l'entretien :

Appelez le 973-403-8900 | envoyez un courriel à [service@xoappliance.com](mailto:service@xoappliance.com) | ou envoyez une demande sur notre site Web [www.xoappliance.com](http://www.xoappliance.com)



**T O D O  
L O Q U E  
N E C E S I T A S  
S A B E R  
S O B R E T U**

**XO**

**XOT UNDER CABINET**  
MODELOS XOT48KSE, XOT1836KSE, XOT1848KSE

He trabajado mucho  
en este manual - así  
que léalo...

**XO**

# XO

VENTILATION

Al comprar cualquier aparato XO puede estar seguro de que ha elegido un producto de alta calidad, innovador y elegante de una empresa que se preocupa por ti!

Si necesita servicio o tiene preguntas, hay 2 maneras de comunicarse con nuestros expertos en ventilación;

En línea @ <https://xoappliance.com/priority-service-for-your-xo-product/> Or por teléfono 973-403-8900



## **ENHORABUENA**

por la compra de su XO.  
Antes de continuar, tómese un momento para registrar su XO en:

[www.xoappliance.com/register-your-product/](http://www.xoappliance.com/register-your-product/)

### **EL REGISTRO LE AYUDA PARA -**

Garantizar la cobertura de la garantía en caso de que necesite servicio. Suministrar la verificación de la propiedad para fines de seguros. Permita que XO le notifique en caso de cambios o retiros de productos.

# DONDE ESTÁN LAS COSAS

## **PREPARÁNDOSE**

**53 - 61**

Seguridad y Precauciones  
Planificación de Ductos  
Ejemplos de instalación  
Dimensiones

## **LA INSTALACIÓN**

**62 - 67**

Altura de Montaje  
Escape Superior o Trasero  
Instalación  
Conexiones eléctricas

## **MANTENIMIENTO**

**68 - 69**

Filtros  
Limpieza  
Recirculación  
Sustitución de la Luz

## **FUNCIONAMIENTO**

**70 - 71**

Controles del Botón Pulsador

## **PIEZAS y GARANTÍA**

**72 - 73**

**POR FAVOR LEA Y SIGA TODAS  
LAS INSTRUCCIONES DE SEGURIDAD**

Es por su  
propio bien...  
Honesto.

**XO**



# SEGURIDAD PRIMERO

## ■ INSTRUCCIONES IMPORTANTES DE SEGURIDAD

### ■ RELATIVAS SOLO AL USO DOMESTICO

#### ■ **LEA LAS INSTRUCCIONES COMPLETAMENTE ANTES DE PROCEDER.**

■ **IMPORTANTE:** Guarde las Instrucciones de uso de los Inspectores Eléctricos Locales.

■ **PARA EL INSTALADOR:** Deje las Instrucciones en la unidad de uso del propietario.

■ **PARA EL PROPIETARIO:** Guarde las instrucciones para consultas futuras.

Preste máxima atención durante el uso de productos de limpieza o detergentes.

Aparato adaptado para uso doméstico y culinario.

■ **ADVERTENCIA** – Para reducir el riesgo de incendio o de sacudida eléctrica, no use el motor junto con ningún Dispositivo de Control de Velocidad con Semiconductores.

■ **ATENCION** – Para reducir el riesgo de incendio y aspirar correctamente el aire, asegúrese que esta última sea transportada al externo a través de un conducto de evacuación. – No descargue el aire en paredes dobles entre paredes o techos o en desvanes, espacios angostos o garajes.

■ **ATENCION** – Usar sólo para una ventilación general. No es adaptado para aspirar materiales o vapores peligrosos o explosivos.

■ **ATENCION** – Para evitar daños al motor y ruidos, y/o hélices desbalanceadas, evite que la unidad de alimentación llegue a contacto con esprays, polvo, etc.

■ **ATENCION** – Para ulterior información y pedidos, lea la etiqueta de especificación del producto.

■ **ADVERTENCIA** – PARA REDUCIR EL RIESGO DE INCENDIO, SACUDIDA ELECTRICA O SDAÑOS A PERSONAS, SIGA LAS SIGUIENTES PAUTAS:

A. Use la unidad sólo para finalidades previstas por el fabricante. Para eventuales preguntas, contacte el fabricante.

B. Antes de efectuar operaciones de mantención o limpieza a la unidad, desconecte la corriente del panel de servicio y cierre con llave los comandos de desconexión para evitar que se encienda accidentalmente la corriente de alimentación.

Si los comandos de desconexión no pueden ser cerrados con llave, fije firmemente un aviso de peligro que sea evidente al panel de servicio, como una placa por ejemplo.

■ **ADVERTENCIA** – **PARA REDUCIR EL RIESGO QUE LA GRASA DE LA SUPERFICIE DEL HORNO SE INCENDIE:**

A. Nunca deje ollas en la superficie del horno en posición alta sin supervisión. Eventuales desbordamientos por el hervor pueden causar humo y rebalses de grasa que pue

- den encenderse. Caliente el aceite lentamente en posición baja o media.
- B.** ENCIENDA siempre la campana cuando cocine a temperaturas elevadas.
  - C.** Encienda frecuentemente el motor. Evite que la grasa se acumule en el motor o en el filtro.
  - D.** Use cazuelas de dimensiones adaptas. Siempre utilice utensilios de cocina idóneos a la dimensión de la olla que se encuentra sobre la superficie del horno.
  - E.** Mantenga limpio el motor, los filtros y la superficie donde se acumula la grasa.
  - F.** Use el horno en posición alta sólo cuando sea necesario. Caliente el aceite lentamente en posición baja o media.
  - G.** No deje nunca el horno sin supervisión durante la cocción.
  - H.** Use siempre utensilios y herramientas de cocina adaptos al tipo y a la cantidad de comida que esté preparando.

■ **ADVERTENCIA** – PARA REDUCIR EL RIESGO DE DAÑOS A PERSONAS EN CASO QUE SE ENCIENDA LA GRASA DE LA SUPERFICIE DEL HORNO, SIGA LAS SIGUIENTES PAUTAS:

- A.** SOFOQUE LAS LLAMAS con una tapa hermética, una losa de horno o una bandeja metálica y luego apague el quemador. PRESTE MUCHA ATENCION DURANTE ESTA OPERACION PARA EVITAR QUEMADURAS. Si las llamas no se extinguen inmediatamente, EVACUE EL LUGAR Y LLAME A LOS BOMBEROS.
- B.** NO TOQUE NUNCA UNA CAZUELA HIRVIENTE – se puede quemar.
- C.** NO USE AGUA, inclusive estropajos o toallas húmedas – se produciría una violenta explosión de vapor.
- D.** Use un extinguidor SOLO en caso que:
  - 1.** Se tenga un extinguidor de Clase ABC y sepa utilizarlo.
  - 2.** Sea un incendio de dimensiones pequeñas y contenido en el área en la cual ha estallado.
  - 3.** Ya hayan sido llamados los bomberos.
  - 4.** Se puedan afrontar las llamas con la espalda dirigida hacia una salida.

aBasado en las “medidas sobre seguridad antiincendio en la cocina” publicadas por el NFPA.

**Una correcta mantención de la campana garantiza un funcionamiento perfecto de la unidad.**

■ **INSTRUCCIONES PARA LA INSTALACION**

- **ADVERTENCIA** – PARA REDUCIR EL RIESGO DE INCENDIO, SACUDIDA ELECTRICA O DAÑOS A PERSONAS, SIGA LAS SIGUIENTES PAUTAS:
- A.** Las operaciones de instalación y conexión eléctrica deben ser efectuadas por personal calificado, conforme con las leyes y normativas en vigor, incluyendo las de aparatos de fuego.
  - B.** Es necesario tener una cantidad de aire suficiente para obtener una combustión

y aspiración del gas correcta a través del humero de la planta de combustión del carburante, para evitar un tiro del del aire en la parte posterior. Segue las indicaciones del fabricante de la planta de calefacción y las relativas normas de seguridad, como las emitidas por la Asociación Nacional de Protección contra Incendios (National Fire Protection Association - NFPA), por la Sociedad Americana de Técnicos de Calefacción, Refrigeración y Aire Acondicionado (American Society for Heating, Refrigeration and Air Conditioning Engineers - ASHRAE) y por las autoridades de códigos locales.

- C. Cuando corte o taladre en la pared o el techo, no dañe el cableado eléctrico ni otras utilidades escondidas.
- D. El aparato debe estar siempre conectado a un agujero de evacuación hacia el exterior.
- E. La unidad debe ser conectada al suelo.

■ **ADVERTENCIA** – PARA REDUCIR EL RIESGO DE INCENDIO, USE SOLO TUBERIAS METALICAS.

■ **ADVERTENCIA** – EN CIERTOS CASOS LOS ELECTRODOMESTICOS PUEDEN REVELARSE PELIGROSOS.

- A. No controle los filtros mientras la campana se encuentre en función.
- B. No toque las luces después de un uso prolongado del aparato.
- C. Nunca flamee un alimento bajo la campana.
- D. El uso de llamas libres es peligroso para los filtros y puede generar incendios.
- E. Controle constantemente los alimentos fritos para evitar que los chorros del aceite de la fritura puedan incendiarse.
- F. Antes de efectuar cualquier operación de mantención, desconecte la campana de la red eléctrica.

■ El fabricante no será responsable por eventuales daños causados por la falta de observación de las instrucciones citadas arriba.

# UNAS SENCILLAS REGLAS PARA PLANIFICAR SU RED DE CONDUCTOS

ESTA CAMPANA ESTÁ DISEÑADA PARA USAR UN CONDUCTO REDONDO DE 8" - SE PUEDE HACER LA TRANSICIÓN A UN CONDUCTO RECTANGULAR DE 4" X 14"

NUNCA REDUZCA EL TAMAÑO DEL CONDUCTO. LOS CONDUCTOS DE MENOR TAMAÑO RESTRINGEN GRAVEMENTE EL FLUJO DE AIRE Y DAÑAN EL RENDIMIENTO.

(Ejemplo: el área de un conducto de 8" es más de un 75% más grande que un conducto de 6"

MANTENGA LOS CONDUCTOS FUNCIONANDO TAN CORTOS Y RECTOS COMO SEA POSIBLE.

EVITE EL USO DE CONDUCTOS METÁLICOS FLEXIBLES SI EL RECORRIDO ES SUPERIOR A 6'.

NUNCA UTILICE CONDUCTOS DE PLÁSTICO.

UTILICE CONDUCTOS METÁLICOS DE ORIFICIO LISO.

MINIMICE EL NÚMERO DE ACCESORIOS (consulte la tabla).

CUANDO DEBA USAR ACCESORIOS, INTENTE SEPARARLOS CON SECCIONES DE 4' O MÁS DE CONDUCTO RECTO.

SIGA SIEMPRE LAS DIRECTRICES DEL FABRICANTE PARA EL EQUIPO DE COCINA QUE ESTÁ VENTILANDO.

SI SE REQUIEREN AMORTIGUADORES DE CONTROL DE REPOSICIÓN DE AIRE, COLOQUE EL SENSOR EN UN RECORRIDO RECTO DEL CONDUCTO IDEALMENTE CON 4' DE CONDUCTO RECTO ENTRE CADA LADO DEL SENSOR Y UN ACCESORIO DE CONDUCTO. RECUERDE INCLUIR CABLEADO DE ALIMENTACIÓN Y CONTROL PARA ESTO EN SUS PLANES.

CUMPLA CON TODOS LOS CÓDIGOS DE CONSTRUCCIÓN Y ORDENANZAS LOCALES.

UTILICE LA HOJA DE CÁLCULO QUE SIGUE PARA AYUDAR A CALCULAR EL TOTAL **TOTAL DE LOS PIES EQUIVALENTES** DEL SU RECORRIDO DEL CONDUCTO.

LOS PIES EQUIVALENTES TOTALES DEBEN SER INFERIORES A 100'.

# ESTIMACIÓN DE PIES EQUIVALENTES TOTALES EN UN CONDUCTO

CAUSAR QUE EL AIRE CAMBIE DE DIRECCIÓN CAUSA TURBULENCIA Y RESTRINGE EL FLUJO EN UN SISTEMA.


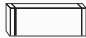









SI UTILIZA UN CONDUCTO DE METAL FLEXIBLE, AUMENTE TODOS LOS MULTIPLICADORES EN UN 50% (12 SE CONVIERTE EN 18 - ETC.)

ESTA HOJA DE TRABAJO FÁCIL DE USAR ES PARA 1000 CFM O MENOS.

EN "CANTIDAD UTILIZADA", INTRODUZCA CÓMO DE CADA SECCIÓN QUE UTILIZARÁ. EN LAS DOS PRIMERAS FILAS, INGRESE CUÁNTOS PIES DE CADA TIPO DE CONDUCTO RECTO USARÁ (ES DECIR, PARA 20 PIES INGRESE 20, PARA 30' INGRESE 30). INTRODUZCA EL NÚMERO DE CADA TIPO DE GIRO QUE ESTÁ UTILIZANDO Y EL TIPO DE TAPA DE EXTREMO.

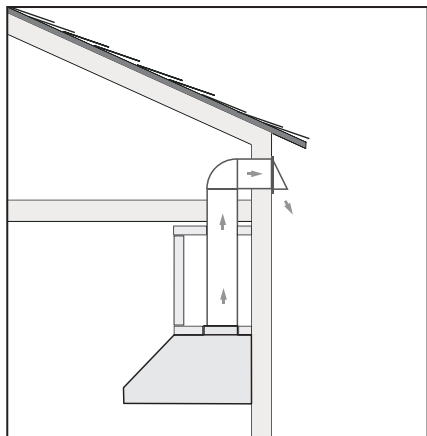
MULTIPLIQUE A LO LARGO DE CADA FILA EL "MULTIPLICADOR" x "CANTIDAD UTILIZADA" PARA OBTENER LOS PIES EQUIVALENTES PARA ESOS COMPONENTES.

SUME TODOS LOS VALORES EN LA COLUMNA "PIES EQUIVALENTES".

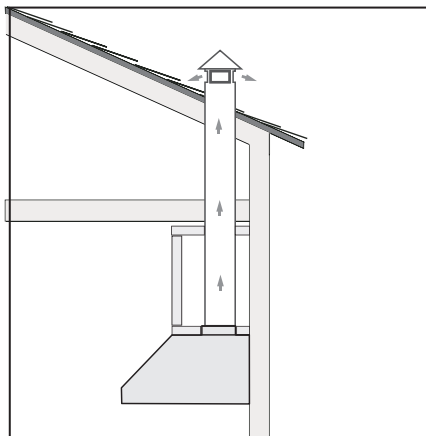
| PIEZA DE CONDUCTO   | DESCRIPCION                                  | MULTIPLICADOR | CANTIDAD UTILIZADA | PIES EQUIVALENTES |
|---|--|---------------|--------------------|-------------------|
|    | Conducto redondo de 1' de 8"                 | 1             |                    |                   |
|    | 1' de 4" x 14" Rect. Conducto                | 1             |                    |                   |
|    | Codo de 8" y 90 grados                       | 12            |                    |                   |
|    | Codo de 8" y 45 grados                       | 7             |                    |                   |
|    | 4" x 14" 90 grados                           | 14            |                    |                   |
|   | 4" x 14" 45 grados                           | 8             |                    |                   |
|  | 4" x 1" x 8" Redondo                         | 2             |                    |                   |
|  | 4" x 14" x 8" 90 grados                      | 4             |                    |                   |
|  | Tapa redonda de pared de 8" con amortiguador | 24            |                    |                   |
|  | Tapa de pared de 4" x 14" con amortiguador   | 24            |                    |                   |
|  | Tapa redonda de techo redonda de 8"          | 33            |                    |                   |
| <b>LOS PIES EQUIVALENTES TOTALES DEBEN SER INFERIORES A 100</b>                     |  |               |                    |                   |

# EJEMPLOS TÍPICOS DE INSTALACIÓN

VENTILADO



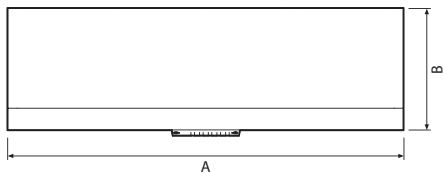
ESCAPE DE PARED



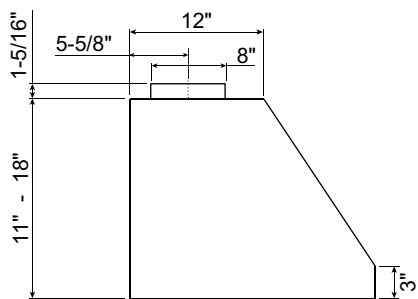
ESCAPE DE TECHO

# DIMENSIONES

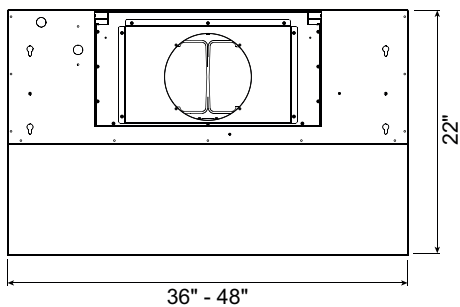
## › Parte delantera de la campana



## › Lado de la campana

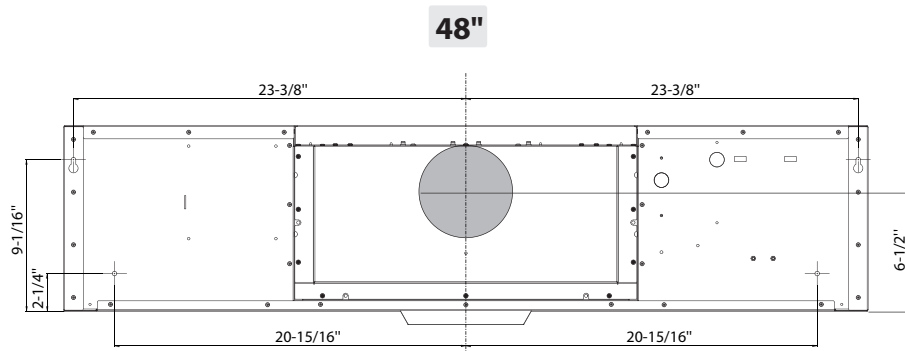
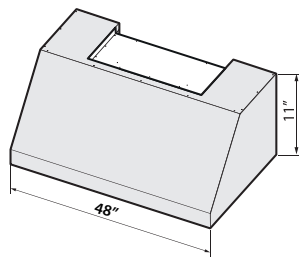


| MODELO     | A   | B   |
|------------|-----|-----|
| XOT48KSE   | 48" | 11" |
| XOT1836KSE | 36" | 18" |
| XOT1848KSE | 48" | 18" |



# DIMENSIONES

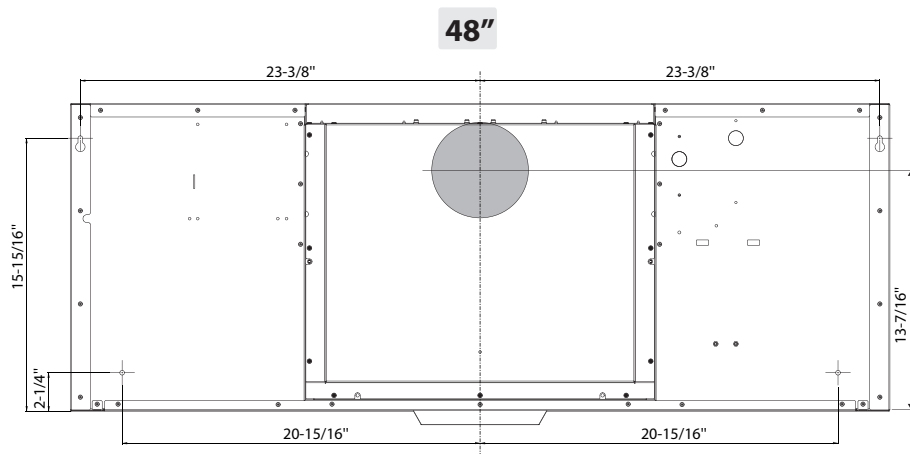
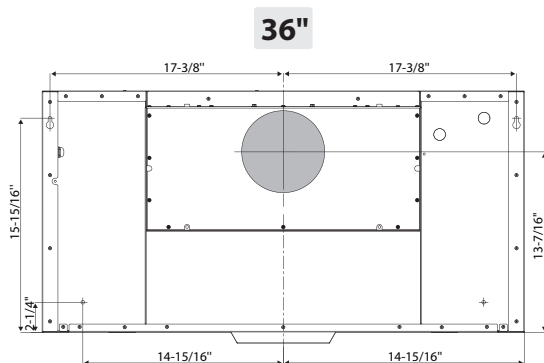
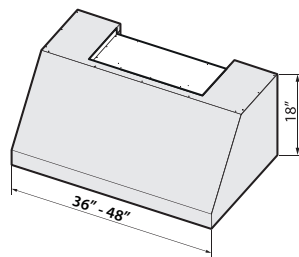
- › **Parte posterior de la campana**  
(lugar de la ventilación Alt  
véase página 63)



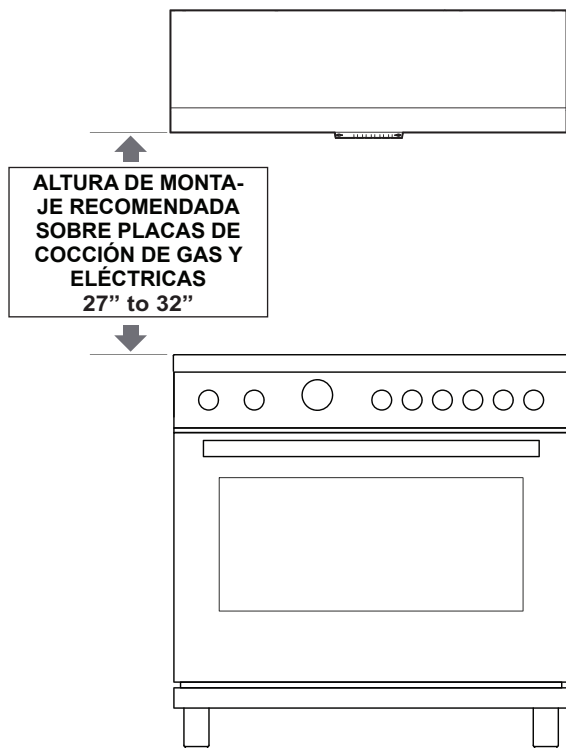


# DIMENSIONES

- › **Parte posterior de la campana**  
(lugar de la ventilación Alt  
véase página 63)



# ALTOS Y BAJOS



Todas las gamas de campanas tienen un rango recomendado de altura de instalación sobre la superficie de cocción.

Es importante instalar la campana a la altura de montaje adecuada. Las campanas montadas demasiado bajas podrían resultar en daños por calor y peligro de incendio; mientras que las campanas montadas demasiado altas serán difíciles de alcanzar y perderán su rendimiento y eficiencia.

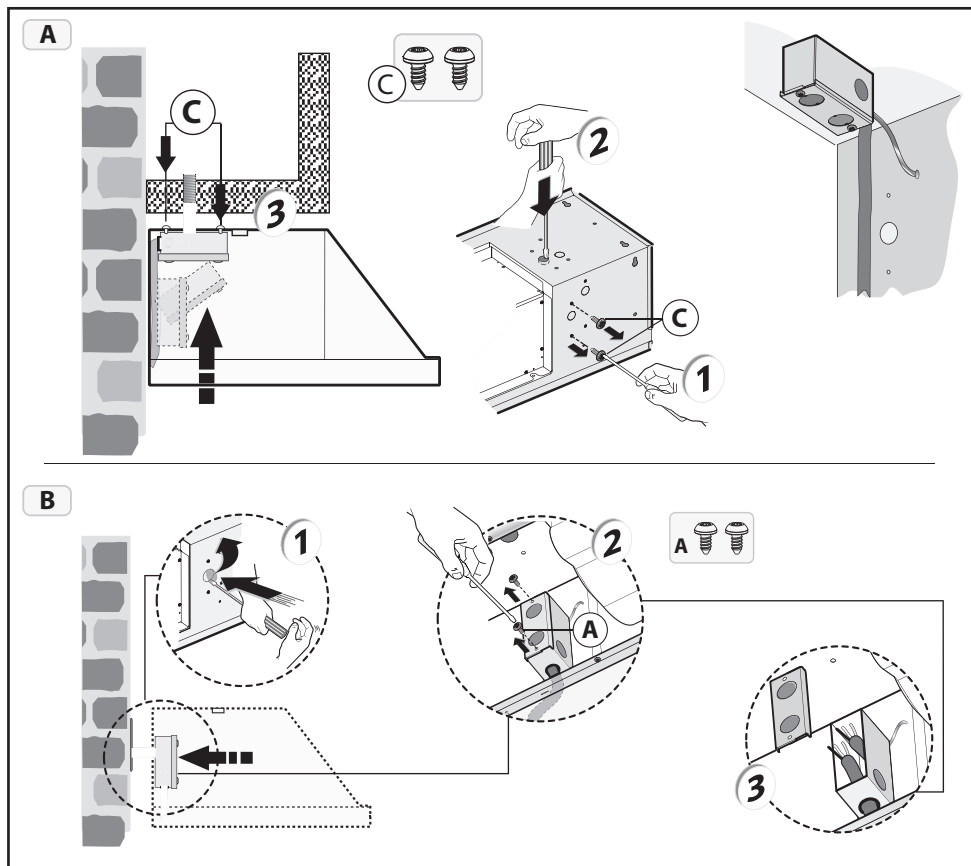


**OPCIONAL:** la caja de alimentación eléctrica puede desmontarse y fijarse en la posición indicada en la **Fig.3A**.

■ **¡ATENCIÓN! ESTA OPERACIÓN DEBE SER EJECUTADA CON EL APARATO DESCONECTADO DE LA RED DE ALIMENTACIÓN.** Antes de conectar el aparato a la red de alimentación, la caja del sistema eléctrico debe colocarse en el alojamiento.

Para **desplazar la caja de alimentación eléctrica** consulte las indicaciones de la **Fig.6**:

1. Desatornille los dos tornillos **C** **Fig.3A.1**.
2. Rompa y quite la plancha metálica pequeña circular situada en la parte superior de la campana, golpeándola con un destornillador plano **Fig.3A.2**.
3. Tome la caja de conexión eléctrica y asegúrela con los 2 tornillos **C** que se habían quitado antes, en la posición indicada **Fig.3A.3**.
4. Para la **conexión a la alimentación eléctrica** consulte la **Fig.3B.2 - Fig.3B.3**.



# INSTALACIÓN

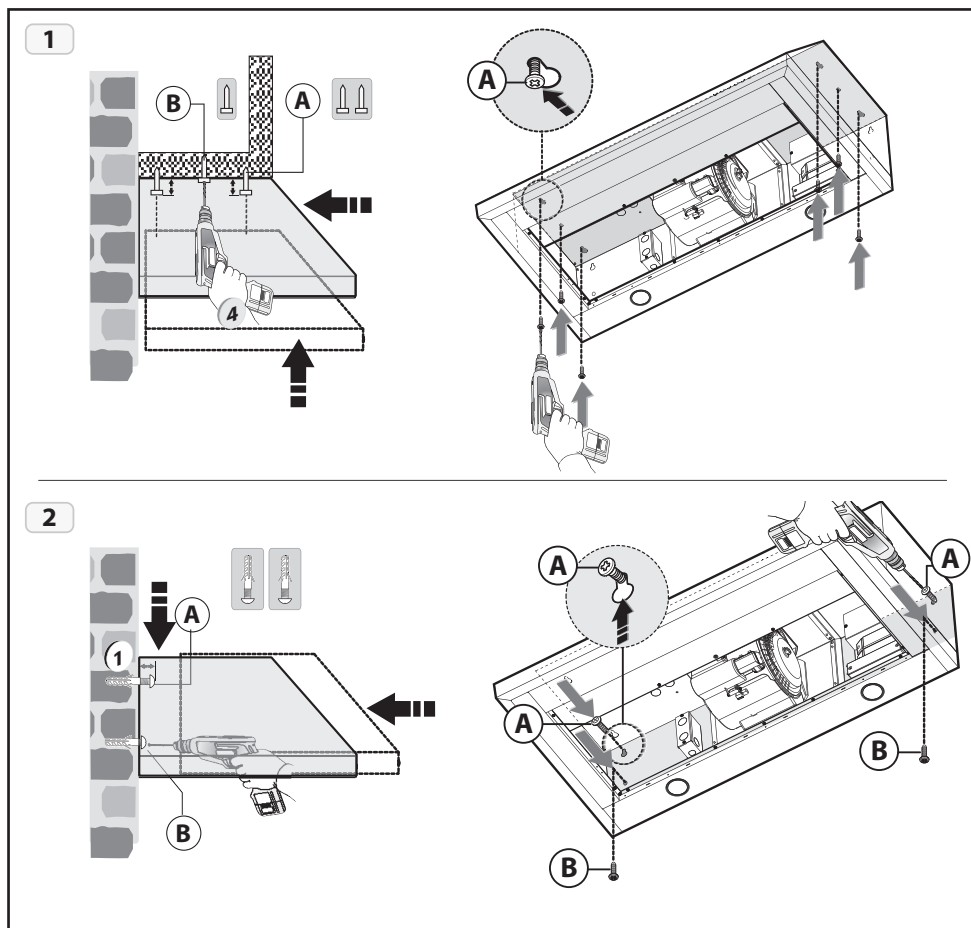
• Este producto puede instalarse de 2 formas diferentes:

- **Montaje de la campana en la parte baja del armario colgante:**

Instalación de tipo 1

- **Montaje de la campana en la pared:**

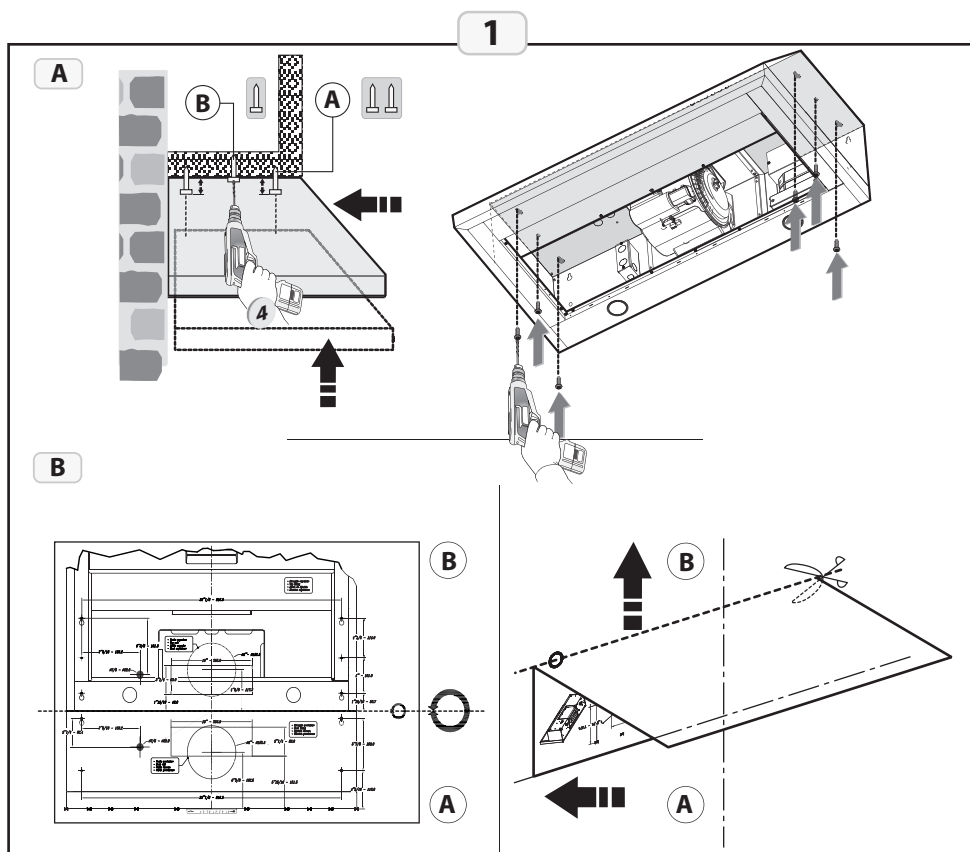
Instalación de tipo 2



# INSTALACIÓN “T”

## • Montaje de la campana en la parte baja del armario colgante:

- Compruebe que los tornillos que no se le han suministrado junto al producto sean aptos para el tipo de mueble.
- Coloque la plantilla de fijación en la parte baja del mueble colgante **Fig.B** (teniendo en cuenta la distancia mínima desde la placa de cocción).
- Fije los 4 tornillos **A** sin apretarlos por completo (**Fig.A**).
- Ponga la campana bajo el mueble colgante, empuje hacia el muro hasta que llegue al tope (**Fig.A**), apriete los 4 tornillos **A** y fjela en forma definitiva con los 2 tornillos de seguridad **B**.



# INSTALACIÓN “2”

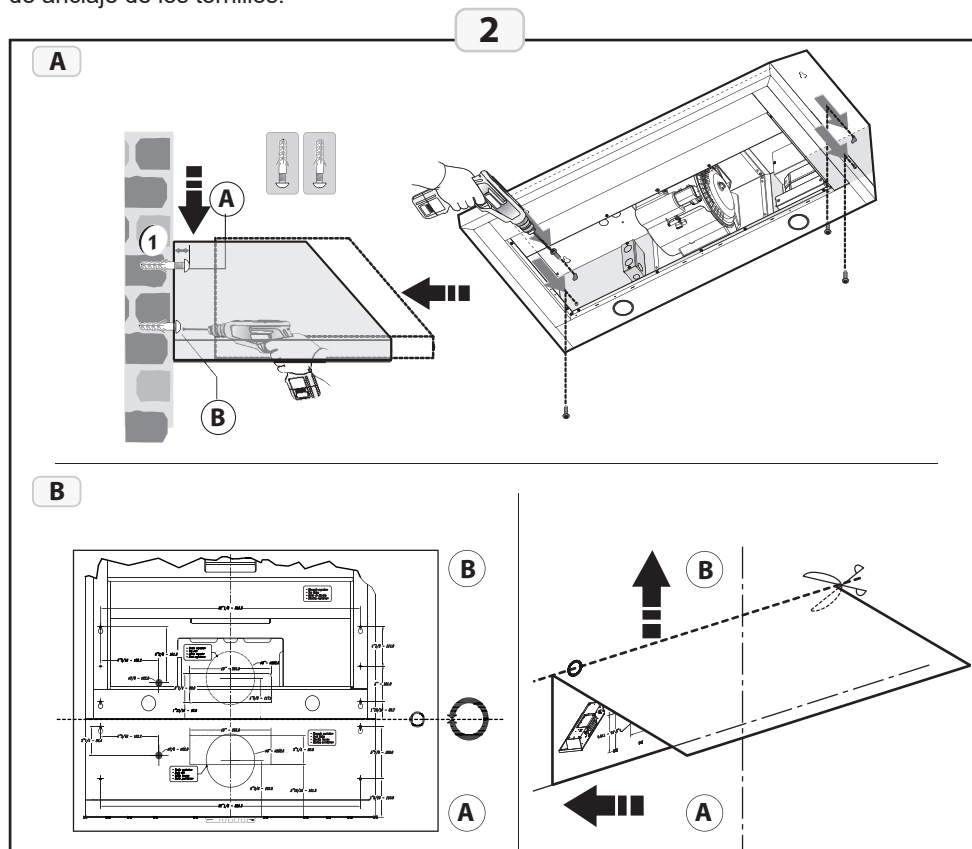
## • Montaje de la campana en la pared:

Coloque la plantilla de fijación en la pared **Fig.B** (teniendo en cuenta la distancia mínima desde la placa de cocción).

- Fije los 2 tornillos superiores **A** sin apretarlos por completo y los tacos de expansión **Fig.A**.
- Cuelgue la campana en la pared, alineándola en posición horizontal y apriete los 2 tornillos **A**; una vez realizada la regulación fjela en forma definitiva con los 2 tornillos de seguridad **B** (**Fig.A**).

Para las diferentes instalaciones utilice tornillos y relativos soportes que sean adaptos al tipo de pared en la cual se debe fijar el aparato (ej. cemento armado, cartón-yeso, etc.). En caso que los tornillos y relativos soportes sean distribuidos junto con el producto, controle que sean adaptos para el tipo de pared que deberá sostener la campana.

- Con restricciones para la instalación en paredes de cartón yeso: asegúrese de que los tornillos estén fijados en los elementos portantes de la pared. De no ser así, instale una estructura de soporte constituida por vigas de 2 por 4 pulgadas, coincidiendo con los puntos de anclaje de los tornillos.



# CONEXIÓN ELÉCTRICA

1. Dirija el cable de alimentación a la caja de conexiones dentro de la campana.
2. Usando los accesorios y conectores de conductos enumerados, conecte la fuente de alimentación a la caja y cada línea al cable apropiado siguiendo esta convención de color:

**NEGRO = TOMAS MÚLTIPLES**

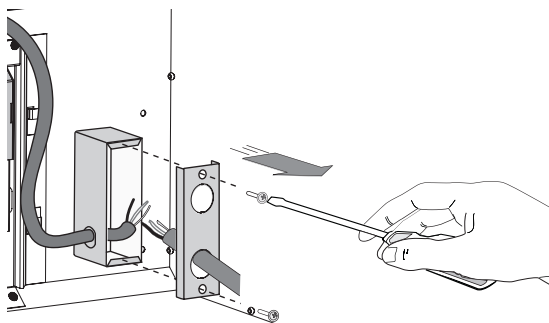
**BLANCO = NEUTRO**

**VERDE/AMARILLO = TIERRA**

Se debe respetar la polaridad.

La unidad debe estar correctamente conectada a tierra.

Utilice un interruptor de desconexión de doble tiro.



3. Vuelva a colocar la cubierta de la caja

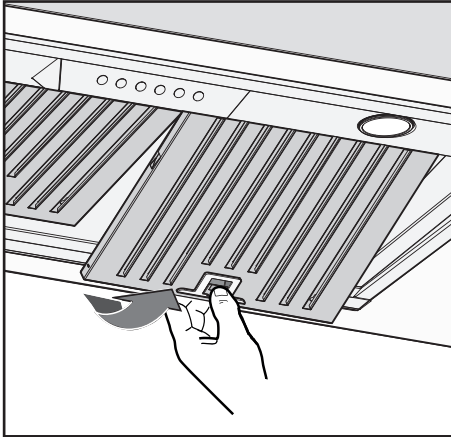
4. Reemplace los deflectores antigrasa.

Todo el cableado debe cumplir con el código eléctrico nacional, ANSI/NFPA 70-1999 y todos los códigos y regulaciones locales.

# MANTENIMIENTO

La limpieza y el mantenimiento regulares son la clave para la larga vida útil y el máximo rendimiento de cualquier equipo.

**FILTROS DEFLECTORES ANTIGRASA:** Su campana XO está equipada con filtros deflectores de acero inoxidable de estilo profesional diseñados para capturar la grasa de las cocciones. Los deflectores se retiran fácilmente para su limpieza, ya sea remojándolos en una solución detergente para platos tibia y suave, enjuagándolos a fondo y secándolos, o lavándolos en el lavavajillas.



**PARA QUITAR LOS DEFLECTORES:**

1. Tire hacia abajo en el pestillo de liberación (se muestra a la izquierda)
2. Baje el borde frontal del deflector
3. Tire hacia adelante y retire
4. Para reemplazar, inserte la parte trasera del deflector, manteniendo el pestillo abierto, gire la parte delantera hacia arriba en su lugar y suelte el pestillo.

La importancia de este sencillo proceso es esencial por dos razones. Primero para ayudar a mantener su cocina limpia y saludable, pero también es fundamental minimizar el riesgo de incendio.

Los filtros deflectores deben limpiarse al menos una vez cada 2 meses, más frecuentemente dependiendo del tipo de cocción realizada y la acumulación de grasa.

## **LIMPIEZA DE ACERO INOXIDABLE:**

No utilice detergentes corrosivos, detergentes abrasivos o limpiadores de horno.

No utilice ningún producto que contenga lejía de cloro o cualquier producto que contenga cloruro.

No utilice lana de acero o almohadillas de lavado abrasivas que rayen y dañen la superficie.

**Limpieza Acero inoxidable** Limpie periódicamente con agua tibia jabonosa y paño de algodón limpio o paño de microfibra. Frote siempre en la dirección del grano de acero inoxidable. Para eliminar la acumulación de grasa más pesada, utilice un detergente desengrasante líquido. Después de la limpieza, utilice un pulidor/limpiador de acero inoxidable no abrasivo para pulir y pular el brillo y el grano inoxidables. Frote siempre ligeramente, con un paño de algodón limpio o un paño de microfibra y pular en la dirección del grano de acero inoxidable.

Las superficies pintadas deben limpiarse únicamente con agua tibia y detergente.

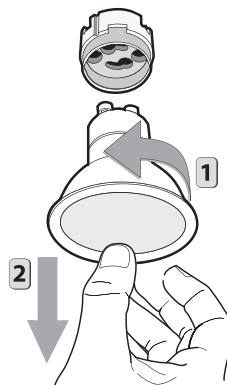


# MANTENIMIENTO CONTINUADO

## SUSTITUCIÓN DE LAS LAMPARAS

Para sustituir las lámparas, girar la lámpara en sentido antihorario como se muestra en la figura.

Sustitúyalas por lámparas del mismo tipo.



**XOPSPK6509**

# FÁCIL DE OPERAR



Su campana de gama XO es controlada por estos botones electrónicos que se iluminan cuando se activan.

**BOTÓN**  : ILUMINACION

**BOTÓN 0:** OFF

**BOTÓN 1:** Botón PRIMERA VELOCIDAD

**BOTÓN 2:** Botón SEGUENDA VELOCIDAD

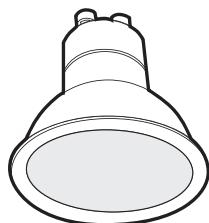
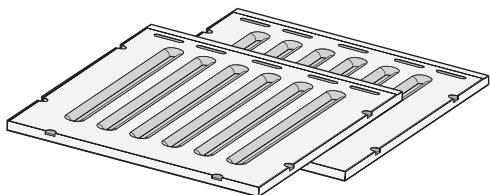
**BOTÓN 3:** Botón TERCERA VELOCIDAD

**BOTÓN T:** Botón TIMER PARADA AUTOMÁTICA 5 MINUTOS (\*).

• Función velocidad **Power Boost**: tener el botón **BOTÓN 3** presionado por casi 2 segundos para activar esta función por 6 minutos, pasado este tiempo regresará a la velocidad precedentemente programada. Cuando la función es activa el LED relampagea. Para interrumpirla antes de los 6 minutos presione la tecla **BOTÓN 3** de nuevo.

(\*) La función "**timer parada automatica**" retarda la parada de la campana, que continuará a funcionar a la velocidad seleccionada en el momento del encendido de esta función, 5 minutos.

# PIEZAS DE ACCESO Y ACCESORIOS



LUCES DE REPUESTO  
CUBIERTAS DE CONDUCTOS  
INTERRUPTORES DE REPUESTO  
MOTORES DEL SOPLADOR  
RUEDAS DEL VENTILADOR

**TODAS ESTAS PIEZAS Y MÁS ESTÁN DISPONIBLES,  
SIMPLEMENTE VISITE [WWW.XOAPPLIANCE.COM](http://WWW.XOAPPLIANCE.COM) y haga clic  
en LA TIENDA de piezas O LLÁMENOS al 973-403-8900**

# TE CUBRIMOS LA ESPALDA

A los **90 DÍAS ÁMALO o DÉJALO**. Durante 90 días, todos nuestros productos están respaldados por nuestra garantía única Ámallo o Déjalo.

**PIEZAS DE DOS AÑOS Y GARANTÍA LIMITADA DE MANO DE OBRA.** XO garantiza al comprador original de cada nueva unidad de ventilación XO, el gabinete y todas sus partes, estar libre de defectos de material o mano de obra bajo uso y mantenimiento normal y adecuado según lo especificado por XO y tras la instalación y puesta en marcha adecuadas de acuerdo con el paquete de instrucciones suministrado con cada unidad XO. La obligación de XO en virtud de esta garantía se limita a un período de dos (2) años a partir de la fecha de compra original.

**RECLAMACIONES DE GARANTÍA.** Todas las reclamaciones de mano de obra o piezas deben hacerse directamente a través de XO. Todas las reclamaciones deben incluir: número de modelo y número de serie del gabinete, comprobante de compra y fecha de instalación. En caso de compresor garantizado, la etiqueta del modelo del compresor debe devolverse a XO junto con la información mencionada anteriormente.

**LO QUE NO ESTÁ CUBIERTO POR ESTA GARANTÍA.** La única obligación de XO en virtud de esta garantía se limita a la reparación o reemplazo de piezas, sujeto a las limitaciones adicionales a continuación. Esta garantía no asume ni autoriza a ninguna persona a asumir obligaciones distintas de las expresamente cubiertas por esta garantía. Las cajas abiertas, los segundos de fábrica, los arañazos y abolladuras, los modelos de suelo y las aplicaciones comerciales están excluidos de estas garantías.

**LA GARANTÍA NO ES TRANSFERIBLE.** Esta garantía no es asignable y solo se aplica a favor del comprador/usuario original en el lugar de instalación original. Cualquier cesión o transferencia anulará las garantías aquí hechas y anulará todas las garantías, expresas o implícitas, incluyendo cualquier garantía o comerciabilidad o idoneidad para un propósito particular.

**USO INADECUADO.** XO no asume ninguna responsabilidad por las piezas o la cobertura de mano de obra por fallas en los componentes u otros daños resultantes del uso o la instalación inadecuados o la falta de limpieza y/o mantenimiento del producto como se establece en el paquete de garantía proporcionado con la unidad.

**ALTERACIÓN O NEGLIGENCIA.** XO no es responsable de la reparación o reemplazo de cualquier pieza que XO determine que ha sido sometida después de la fecha de fabricación a alteración, negligencia, abuso, mal uso, accidente, daño durante el tránsito o la instalación, incendio, o cualquier evento o accidente no influenciado por el hombre.

**CONEXIONES ELÉCTRICAS INADECUADAS.** XO no es responsable de la reparación o reemplazo de componentes defectuosos o dañados como resultado de fallas de energía eléctrica, alta o baja tensión, uso de cables de extensión o conexión a tierra inadecuada de la unidad.

**SUS DERECHOS BAJO LA LEY ESTATAL.** Esta garantía le otorga derechos legales específicos y es posible que tenga otros derechos que varían de un estado a otro. Algunos estados no permiten la exclusión o limitación de daños consecuentes o una limitación en el tiempo que dura una garantía implícita, por lo que la exclusión o limitación anterior puede no aplicarse a usted.

**FUERA DE LOS EE.UU** Esta garantía no se aplica, y XO no se hacer responsable de, ninguna reclamación de garantía hecha en productos vendidos o usados fuera de los 48 Estados Unidos continentales.

## Para obtener el servicio:

Llame al 973-403-8900 | envíe un correo electrónico a [service@xoappliance.com](mailto:service@xoappliance.com)  
| o envíe una solicitud a nuestro sitio web





