

Kräus[®]

INSTALLATION GUIDE

Arlo[™] Single Lever Basin Faucet

KBF-1201

Congratulations on the purchase of your new Kraus® plumbing fixture!

Please keep the box and packaging materials until your product is completely installed. If you have any questions, require technical assistance, or have any problems with your product:



DO NOT RETURN TO STORE

Please contact our Customer Service Team

1-800-775-0703 / customerservice@kraususa.com

Have the model number available, and retain a copy of your receipt with purchase date for reference.

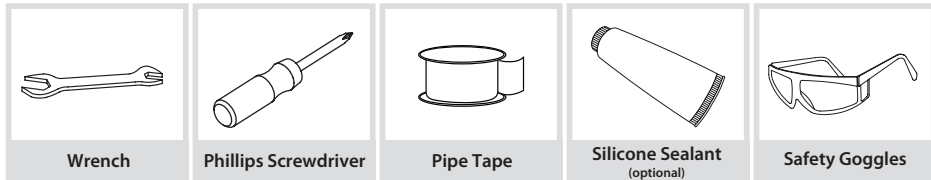
If for any reason this product does not meet your expectations, please be sure to repack this product in the original box and packaging material to avoid damage during transit.



Prior to Installation:

- Make sure you have all necessary parts by checking the diagram and parts list. If any part is missing or damaged, please contact Kraus® Customer Service at 800-775-0703 for a replacement
- Read all instructions and safety warnings and ensure you have all tools, parts, and equipment necessary for a safe installation.
- Turn off the hot and cold water lines at the angle stops and turn on the old faucet to release any built-up pressure
- Pre-drilled countertop hole size requirement: 1-3/8"(min)
- Max countertop thickness: 2 5/8"

Tools you will need:



Care & Maintenance

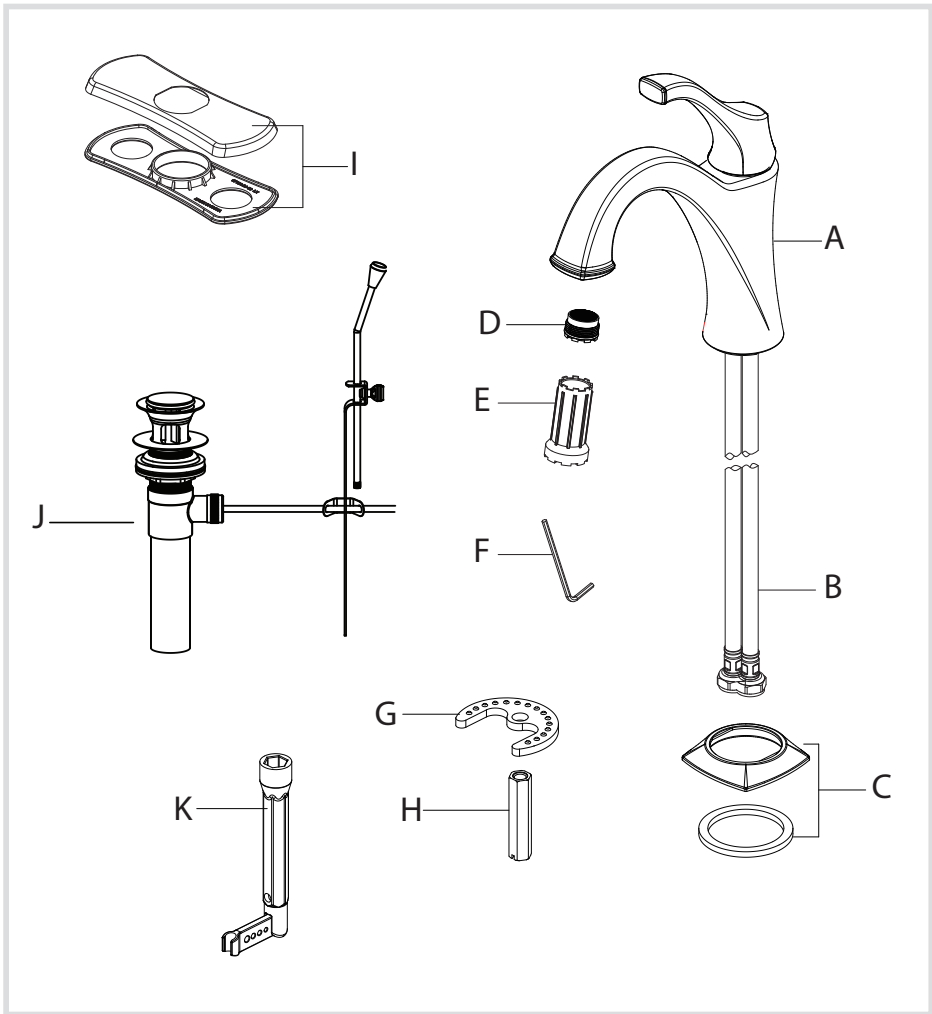
* To keep the product clean & shining, follow the steps below:

1. Rinse with clean water & dry with a soft cloth
2. Do not clean with soaps, acid, polish, abrasives or harsh cleaners
3. Do not use cloth with a coarse surface
4. Unscrew the aerator and clean when necessary

* This installation manual is subject to change without further notice.



Diagram and Parts List



A. Faucet Body

B. Waterlines

C. Flange & Washer

D. Aerator

E. Aerator Key

F. Hex Wrench

G. Metal Washer

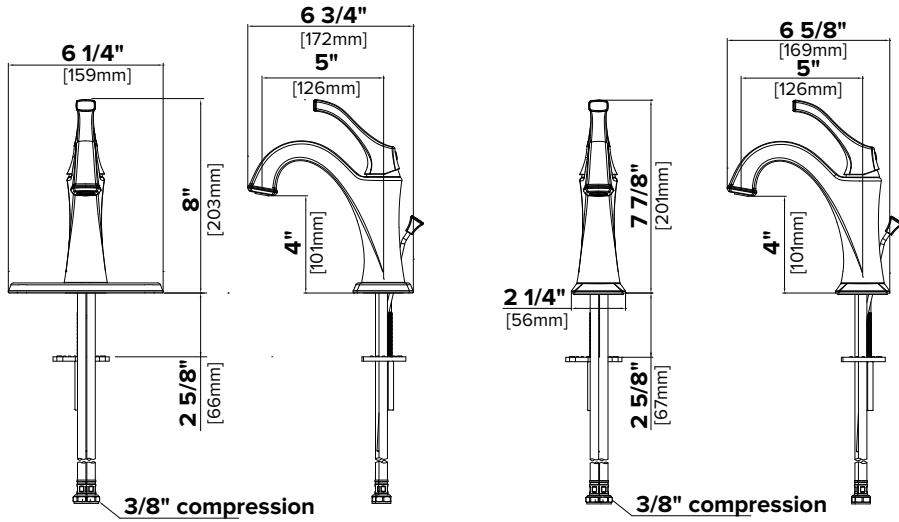
H. Nut

I. Deck plate & Base plate

J. Drain

K. Spanner Key

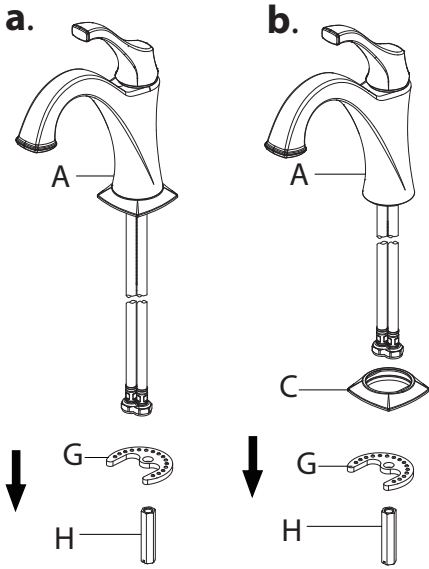
Faucet Dimension



Installer Tip:

Shut off main water supply before installing new faucet

Step 1: Remove washer and lock nut

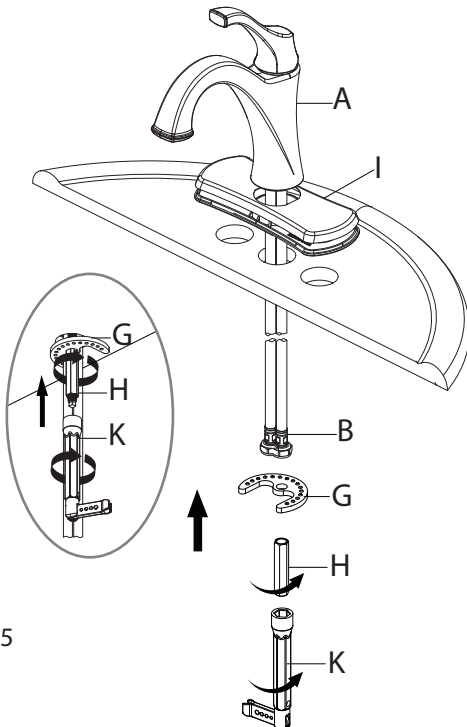


Shut off the water supply. Remove the old faucet. Clean the mounting surface.

WITH FLANGE: Remove the metal washer (G) and lock nut (H) from the faucet (A) as shown in figure **a**.

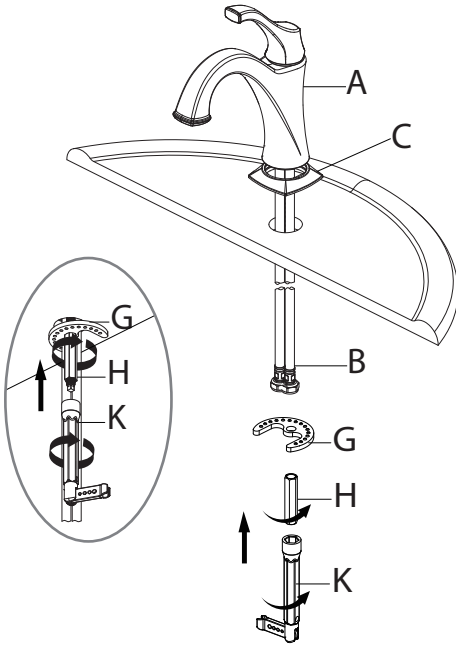
WITH DECK PLATE: Remove the metal washer (G), the flange (C) and nut (H) from the faucet (A) as shown in figure **b**.

Step 2.1: Install faucet (with deck plate)



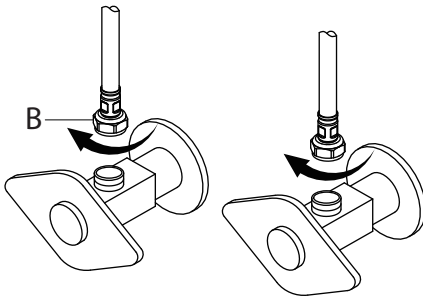
Align the hole on the deck plate (I) with the mounting hole on the sink. Place the faucet (A) through the deck plate & base plate (I) and mounting hole on the sink until the faucet (A) sets on top of deck plate (I). Secure the faucet (A) to the sink by using the metal washer (G) and nut (H) provided. Tighten nut (H) by spanner key (K) provided. Ensure the metal washer (G) and hoses (B) are no interference.

Step 2.2: Install faucet (with flange)



Before installation, ensure that the flange (C) is placed on the bottom of the faucet (A). Place the faucet (A) through the mounting holes in the sink until the faucet (A) sets on top of the sink. Secure the faucet (A) to the sink using the washer (G) and lock nut (H) provided. Tighten lock nut (H) with spanner key (K) provided. Ensure the washer (G) and hoses (B) are no interference.

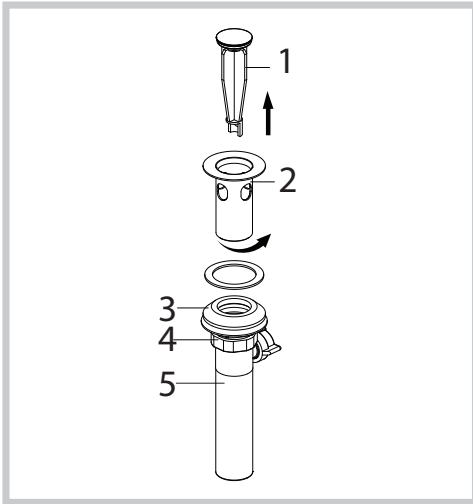
Step 3: Connect waterlines to main valve



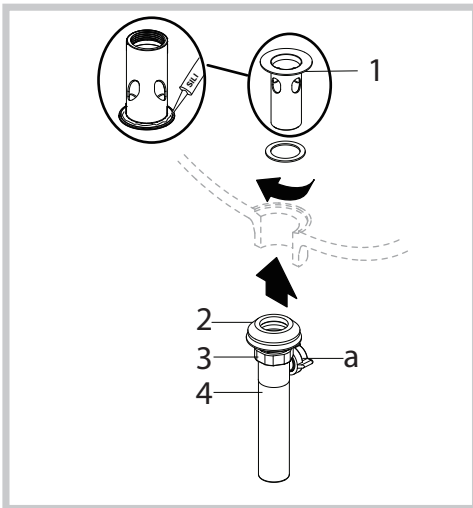
Attach waterlines(B) to angle stops and tighten until snug. Turn on angles stops and check for leaks (DO NOT TURN FAUCET ON)

NOTE: Please make sure filter washers are installed before connecting to the main valve.

Step 4: Install drain

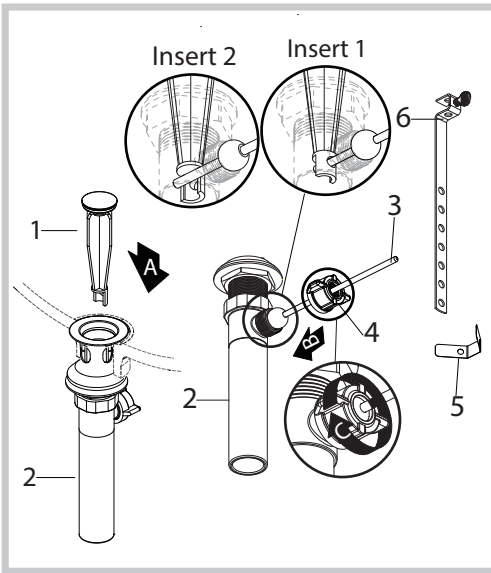


Remove the waste stopper (1) and drain flange (2) from the drain body (5). Screw the nut (4) all the way down, and push the concave washer (3) down.

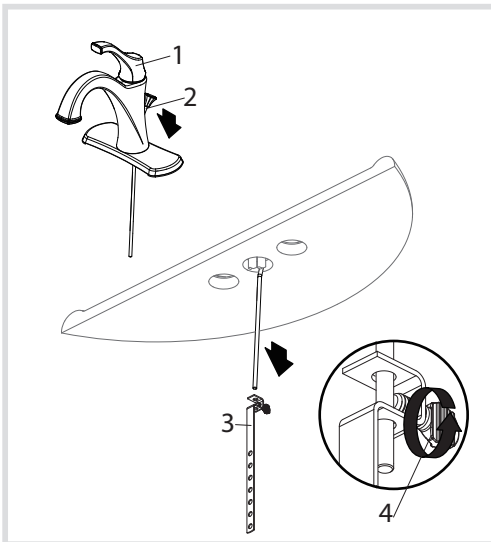


Apply silicone sealant (not included) under the drain flange(1) and place the drain flange (1) into the drain hole of the sink. From underneath the sink, screw the drain body (4) onto the drain flange (1). Ensure that the opening (a) for the ball rod on the drain body (4) faces towards the rear of the sink. Tighten the concave washer (2) and nut (3) on the drain body (4). Do not overtighten.

Step 4: Install drain

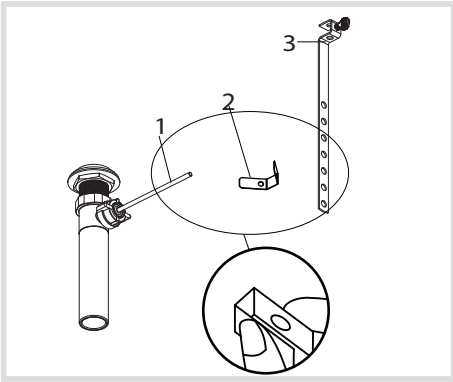


Insert the waste stopper (1) into the drain hole in the sink. Remove the strap (6) and clip (5) from the ball rod (3). Remove the ball nut (4). Insert the ball rod (3) into the drain body (2) and through the hole of the stopper (1). See Insert 1. For easier removal and cleaning, rotate the stopper (1) 90 degrees so that the ball rod (3) does not go through the hole in the stopper (1). See Insert 2. Secure the ball nut (4) against the hole in the drain body (2) and tighten the ball nut (4) onto the threaded end. Do not overtighten.

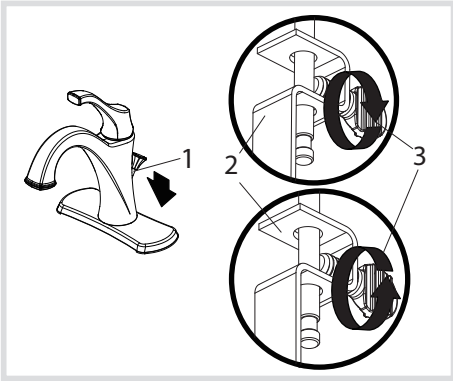


Insert the lift rod (2) through the faucet (1) and down into the strap (3). Tighten the thumb screw (4).

Step 4: Install drain

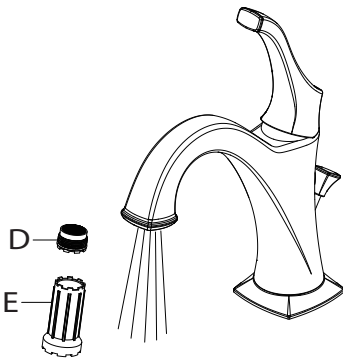


Attach the ball rod (1) to the strap (3) using the clip (2).



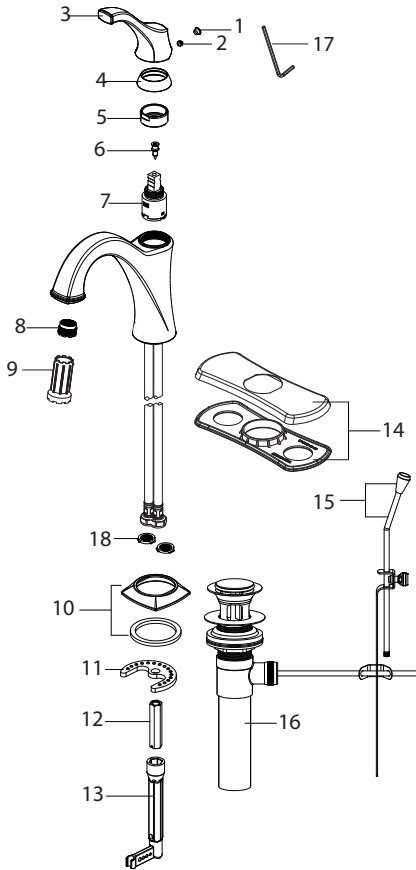
Loosen the thumb screw (3) on the strap (2). Push down on the lift rod (1) until the stopper is in the open position. Retighten the thumb screw (3).

Step 5: Flush faucet



After installing faucet, remove aerator (D) with included aerator key (E). Turn water on for 30 seconds to remove any debris. Reassemble aerator (D).

Replacement Parts



Replacement Parts List	Finish / Color	Part #
1. Cover Button	GR, BL*	KP27002
2. Set Screw		KP27001
3. Handle	CH, SFS, ORB, MB, BG, SFSB*	KP27046
4. Cap	CH, SFS, ORB, MB, BG, SFSB*	KP27048
5. Bonnet Nut		KP27049
6. Screw		KP27047
7. Cartridge		KP27050
8. Aerator		KP27051
9. Aerator Key		KP27052
10. Flange & Washer	CH, SFS, ORB, MB, BG, SFSB*	KP27053
11. Metal Washer		KP27198
12. Nut		KP27055
13. Spanner Key		KP27144
14. Deck Plate & Base Plate	CH, SFS, ORB, MB, BG, SFSB*	KP27056
15. lift rod knob & lift rod	CH, SFS, ORB, MB, BG, SFSB*	KP27057
16. Drain	CH, SFS, ORB, MB, BG, SFSB*	KP27019
17. Hex Wrench		KP27020
18. Filter Washer		KP27167

*Denotes faucet component color options:

CH - Polished Chrome

SFS - Spot Free Stainless Steel

ORB - Oil Rubbed Bronze

MB - Matte Black

BG - Brushed Gold

SFSB - Spot Free Black Stainless

GR - Grey

BL - Black

Troubleshooting

If you have followed the instructions carefully and your faucet still does not work properly, take the following corrective steps:

PROBLEM	CAUSE	ACTION
Leakage under the handle	Bonnet nut (5) has come loose	Remove the cover button (1). Loosen set screw (2) with hex wrench (17). Remove the handle (3). Unscrew cap (4) (by hand only). Tighten bonnet nut (5) with an adjustable wrench
Aerator drips or has inconsistent water flow pattern	Aerator (8) is dirty or not seated properly	Unscrew aerator (8) with aerator wrench (9) and clean out debris
Water will not shut off completely	Cartridge may need to be adjusted or replaced	Remove the cover button (1). Loosen set screw (2) with hex wrench (17). Remove the handle (3). Unscrew cap (4) (by hand only). Tighten bonnet nut (5) with an adjustable wrench. Remove the cartridge (7). Check for cracks
There is leaking from the sink drain at the base of the sink.	The sink has a rough or irregular surface.	Apply additional silicone sealant to the beveled side of the drain flange. Retighten and test for leaks
There is a low flow of water.	The screen filter in the hose connectors is dirty.	Turn off the water supply at water valve and unscrew the hose connectors from water supply lines. Clean the screen in the water lines with hot water, removing any debris or calcium build up.

Codes/Standards Applicable:



NSF / ANSI 61

Water Efficiency



ASME A112.18.1
1.2GPM 4.5L/min maximum

Faucet - Lifetime Limited Warranty

Kraus® USA Plumbing, LLC ("Kraus") extends this warranty to the original purchaser for personal household use of the Faucet when purchased from an authorized Kraus dealer and in the location of original installation. This warranty is non-transferable.

Kraus warrants the structure and finish of the Faucet to be free from defects in material and workmanship under normal usage for as long as the original purchaser resides in the residence in which the Faucet was first installed.

Kraus warrants the Faucet's sprayhead assembly (including the engine, aerators, structure, restrictors, back flow preventers, sprayer hoses, braided supply line hoses which encompasses nylon, silicon and stainless steel) of the product to be free from defects in material and workmanship under normal usage for a period of one (1) year from the date of purchase.

Kraus warrants the Faucet's cartridge to be free from defects in material and workmanship under normal usage for a period of five (5) years from the date of purchase.

Any product reported to the authorized dealer or to Kraus as being defective within the warranty period will be repaired or replaced with a product of equal value at the option of Kraus.

Commercial Warranty

Kraus USA Plumbing, LLC ("Kraus") warrants its Products for a period of one (1) year to commercial purchasers of Products used in industrial, commercial and business applications.

Care and Cleaning Instructions

Certain cleaning products may cause damage to a Product's finish and use of the following on the Product will void this warranty:

- Abrasive cleaners such as powders, bleach, ammonia, alcohol or chlorine
- Abrasive pads, steel wool or wire brushes

What is Not Covered

This warranty does not cover Products that were discontinued when purchased or display Products, whether such Products were purchased at discount outlets, unauthorized dealers, and/or sold on clearance. This warranty does not cover any free gifts included with purchase.

This warranty does not cover damage resulting from neglect, misuse (including use for an unintended application), abuse, carelessness, accident, hard water or mineral deposits, exposure to corrosive materials, improper maintenance, alteration of the Product, or failure to follow care, cleaning or installation instructions enclosed with your Product. Kraus recommends that all Kraus Products be installed by a fully licensed and insured trade professional with experience in the installation of bathroom and/or kitchen manufactured goods.

How to Make a Warranty Claim

If you are a **consumer purchaser**, please contact a Kraus® Customer Service Representative at:

Kraus USA Plumbing, LLC
12 Harbor Park Drive
Port Washington, NY 11050
Toll-free 800-775-0703
Customerservice@kraususa.com

If you are a **plumbing contractor or trade professional**, please contact a Kraus Pro Representative at:

Kraus USA Plumbing, LLC
12 Harbor Park Drive
Port Washington, NY 11050
516-801-8955
Proservice@kraususa.com

If you are an **authorized partner**, please contact a Partner Support Representative at:

Kraus USA Plumbing, LLC
12 Harbor Park Drive
Port Washington, NY 11050
516-801-8954
Partnersupport@kraususa.com

In requesting warranty service, please be ready to provide your proof of purchase and a description of the problem. Shipping charges will be covered for the first (1) year of the warranted replacement part or product (HI, AK, and Puerto Rico shipping charges may apply). International shipping fees are not included.

Limitation on Duration of Implied Warranties

Please note that some states/provinces (including Quebec) do not allow limitations on how long an implied warranty lasts, so the below limitations may not apply to you. TO THE MAXIMUM EXTENT PERMITTED BY APPLICABLE LAW, ANY IMPLIED WARRANTY, INCLUDING THE IMPLIED WARRANTIES OF MERCHANTABILITY AND OF FITNESS FOR A PARTICULAR PURPOSE, IS LIMITED TO THE STATUTORY PERIOD OR THE DURATION OF THIS WARRANTY, WHICHEVER IS SHORTER.

Limitation of Special, Incidental or Consequential Damages

Please note that some states/provinces (including Quebec) do not allow the exclusion or limitation of special, incidental or consequential damages, so the below limitations and exclusions may not apply to you. TO THE MAXIMUM EXTENT PERMITTED BY APPLICABLE LAW, THIS WARRANTY DOES NOT COVER, AND KRAUS USA PLUMBING, LLC SHALL NOT BE LIABLE FOR, ANY SPECIAL, INCIDENTAL OR CONSEQUENTIAL DAMAGES (INCLUDING LABOR CHARGES TO REPAIR, REPLACE, INSTALL OR REMOVE THIS PRODUCT), WHETHER ARISING OUT OF BREACH OF ANY EXPRESS OR IMPLIED WARRANTY, BREACH OF CONTRACT, TORT, OR OTHERWISE.

This warranty gives you specific legal rights, and you may also have other rights which vary from state/province to state/province.

Download the Kraus Care & Maintenance Guide at:
<http://www.kraususa.com/maintenance>

IMPORTANT

Register Your Kraus Product

Activate Your Warranty

Access Premium Customer Support

Get Product Information

REGISTER TODAY

<http://www.kraususa.com/registration>



Kräus[®]
www.kraususa.com