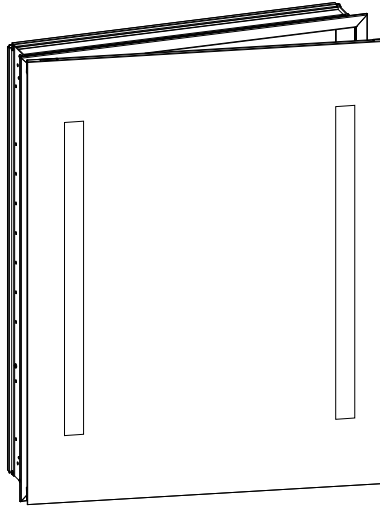




VITALITY CABINET

SINGLE DOOR WITH SAFE SEAL™

Important safety instructions - Save these instructions



3000K:

YC2430D4P1L3, YC2440D4P1L3,
YC2430D4P1R3, YC2440D4P1R3

CONTENTS

Model Numbers- **2**
Safety- **3**
Parts- **4**
Dimensions- **5**
Electric Connections - **7**
Recess Mounting- **11**
Surface Mounting- **13**
Final Assembly- **16**
Use and Maintenance- **17**
Warranty- **18**

GENERAL INFORMATION

This instruction sheet contains information on how to install the Vitality series cabinets. This series comes in various sizes. Refer to specific model numbers for dimensions.

Read the specific instruction for how your cabinet will be mounted. The cabinets can be surface mounted or recess mounted.

Save these instructions for future use and reference. An improper installation voids the warranty. Installed cabinets cannot be returned.

If you experience any problems with your cabinet, contact your dealer or Robern directly.

Limited Warranty — One Year Term



© 2020 Robern, Inc. 701 N. Wilson Ave. Bristol, PA 19007 U.S.A.
800.877.2376 www.robern.com

Part no. CB-209-1332 05/05/20
Vitality Cabinet

MODEL NUMBERS

Use the chart below to build a Vitality Cabinet model number. This chart references the model number for a 24" W x 30" H x 4" D Vitality cabinet. Consult the Robern Price Book for a complete list of model numbers. The model number is located inside of your cabinet.

Model Numbers	Y	C	24	30	D4	P1	L	3
Product	Y = Vitality							
Category	C = Cabinet							
Width	24 = 23-1/4" (591 mm)							
Height	30 = 30" (762 mm) 40 = 39-3/8" (1000mm)							
Depth	D4 = 4-5/8" (118 mm)							
Door Style	P1 = Single Door							
Hinge Side	L = Left R = Right							
Options	3 = 3000K							

IMPORTANT SAFETY INSTRUCTIONS

When using an electrical furnishing, basic precautions should always be followed, including the following:

DANGER: Read all instructions before using this cabinet.

WARNING: To reduce the risk of burns, fire, electric shock, or injury to persons: Use this furnishing only for its intended use as described in these instructions. Do not use attachments not recommended by the manufacturer. Never drop or insert any object into any opening. Do not use outdoors.

WARNING: Risk of electric shock. Connect this furnishing to a properly grounded circuit only. See Grounding instructions.

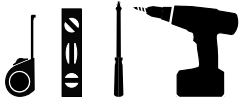
CAUTION: Maximum shelf load 34lbs/15.4kg

GROUNDING INSTRUCTIONS: This product must be connected to a grounded metal, permanent wiring system, or an equipment-grounding conductor must be run with the circuit conductors and connected to the equipment-grounding terminal or lead on the product.

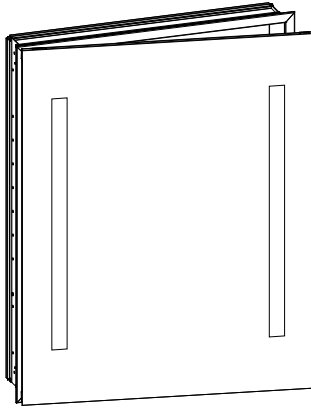
WARNING: Electrical option cabinet must be wired to a Class A 20 Amp GFCI (Ground Fault Circuit Interrupter) protected circuit when used in bathrooms and all other locations required by the National Electric Code.

SAVE THESE INSTRUCTIONS

TOOLS NEEDED



PARTS



(1) Single Door Vitality Cabinet
(3) Glass Shelves

[216-1096] Hardware Bag

[SS666]
(4) Hinge Clip

[SS131]
(16) Shelf Clip

[SS672]
(6) Screw Cap

[SS674]
(6) #10 x 2" Screw

[SS134]
(50 / 100) Hole Plug

Depending on installation, not all parts will be used.

(30) MSMK30D4P, (40) MSMK40D4P
Optional for surface mounting

[SS672]
(12) Screw Cap

[203-1349]
(6) Wall Anchors

[SS674]
(6) #10 x 2" Screw

[SS676]
(12) #10 x 1/2" Screw

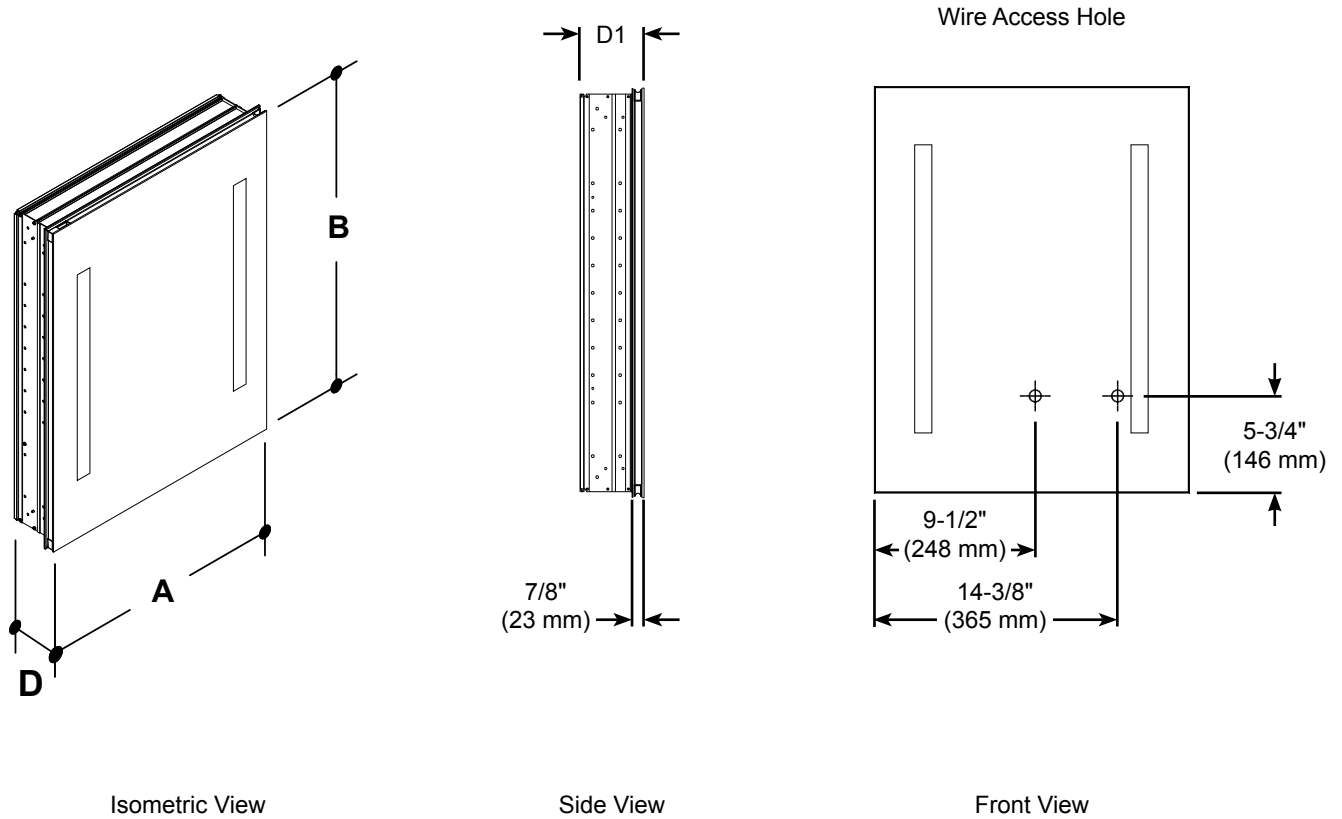
(2) Glass Side Panel

[SS712]
(3) Top Clip

(2) Z Mounting Bars

DIMENSIONS

Determine overall cabinet dimensions. If recessing cabinet, determine rough-in dimensions. See chart for specific model dimensions.



Rough Opening (RO) for recessed installation in chart below

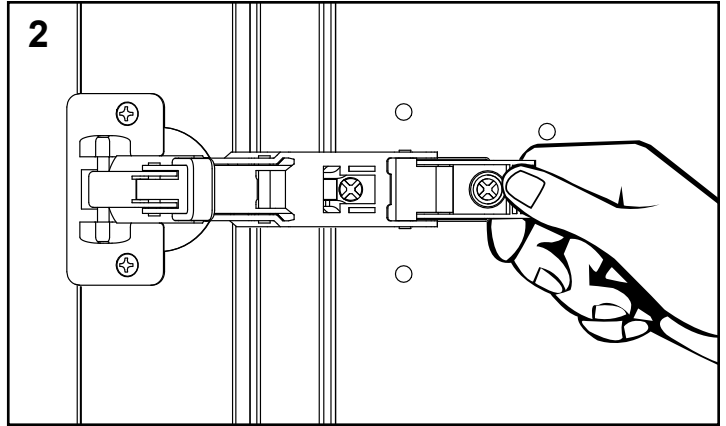
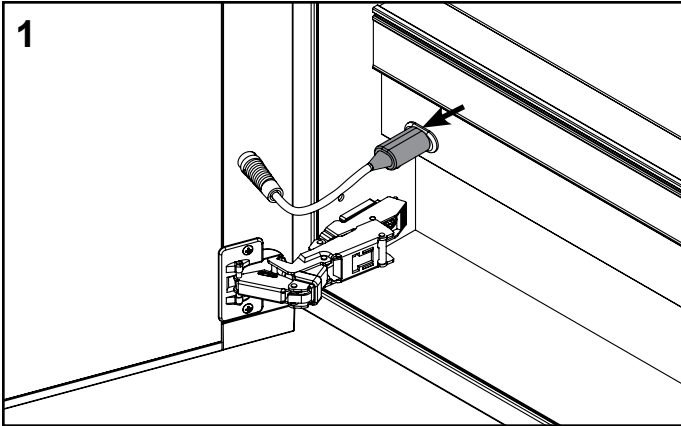
	YC2430	YC2440
A	23-1/4" (591 mm)	
B	30" (762 mm)	39-3/8" (1000 mm)
RO (A)	22-1/2" (571 mm)	
RO (B)	29-1/4" (743 mm)	38-5/8" (981 mm)
D	4-5/8" (118 mm)	
D1	3-3/4" (95 mm)	

D1 = minimum 4" required or 2X4 construction

REMOVING THE DOOR FOR EASE OF INSTALLATION

1. Unplug the door from the cabinet.
2. While supporting the door, pinch the release clip at the rear of each hinge, as shown. Set the door aside in a safe place.

NOTE: The cardboard sleeve attached to the door protects the edges of the door during installation.



SECTION 2 - ELECTRIC CONNECTIONS

All wiring should be done by a qualified licensed electrician.

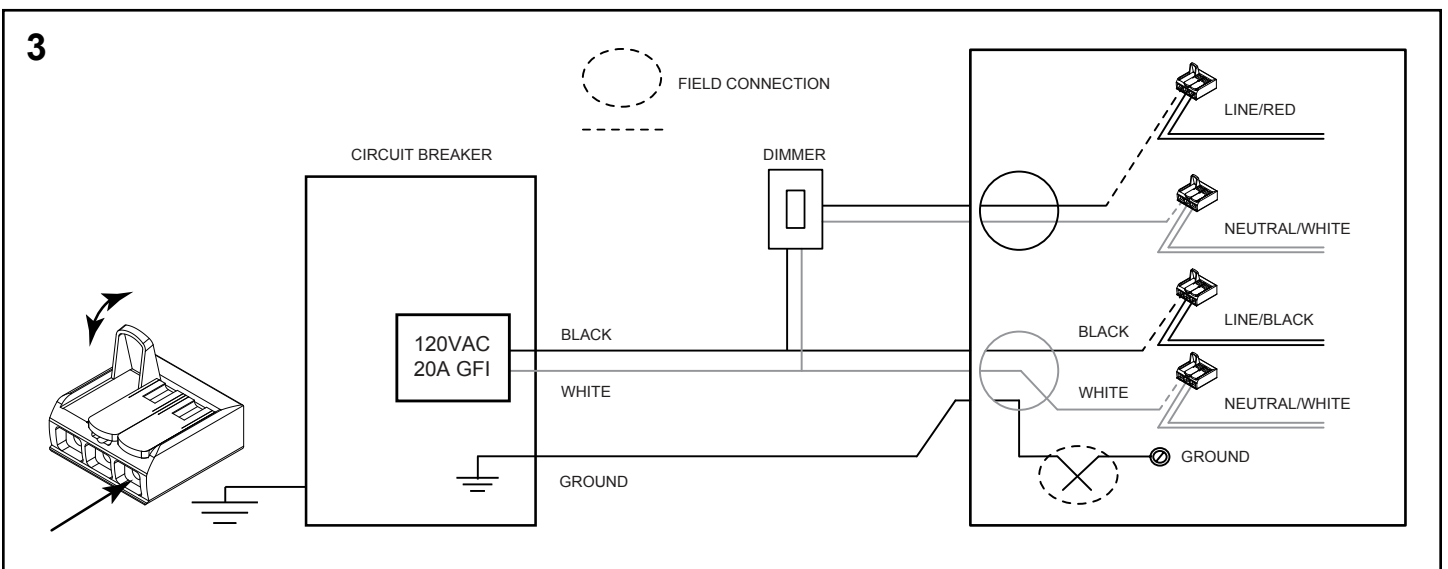
WARNING: To reduce the risk of electrical shock, shut off power before wiring the cabinet.

CAUTION: Required 120 VAC Class A 20 Amp GFI protected circuit.

CAUTION: This product must be connected to a grounded, metal permanent wiring system or an equipment-grounding conductor must be run with the circuit conductors and connected to the equipment grounding terminal or lead on the product.

WARNING: An Electrical option cabinet must be wired to a Class A 20 Amp GFCI (Ground Fault Circuit Interrupter) protected circuit when used in bathrooms and all other locations required by the National Electric Code.

3. Make field connections as per wiring diagram for the electrical option being installed.



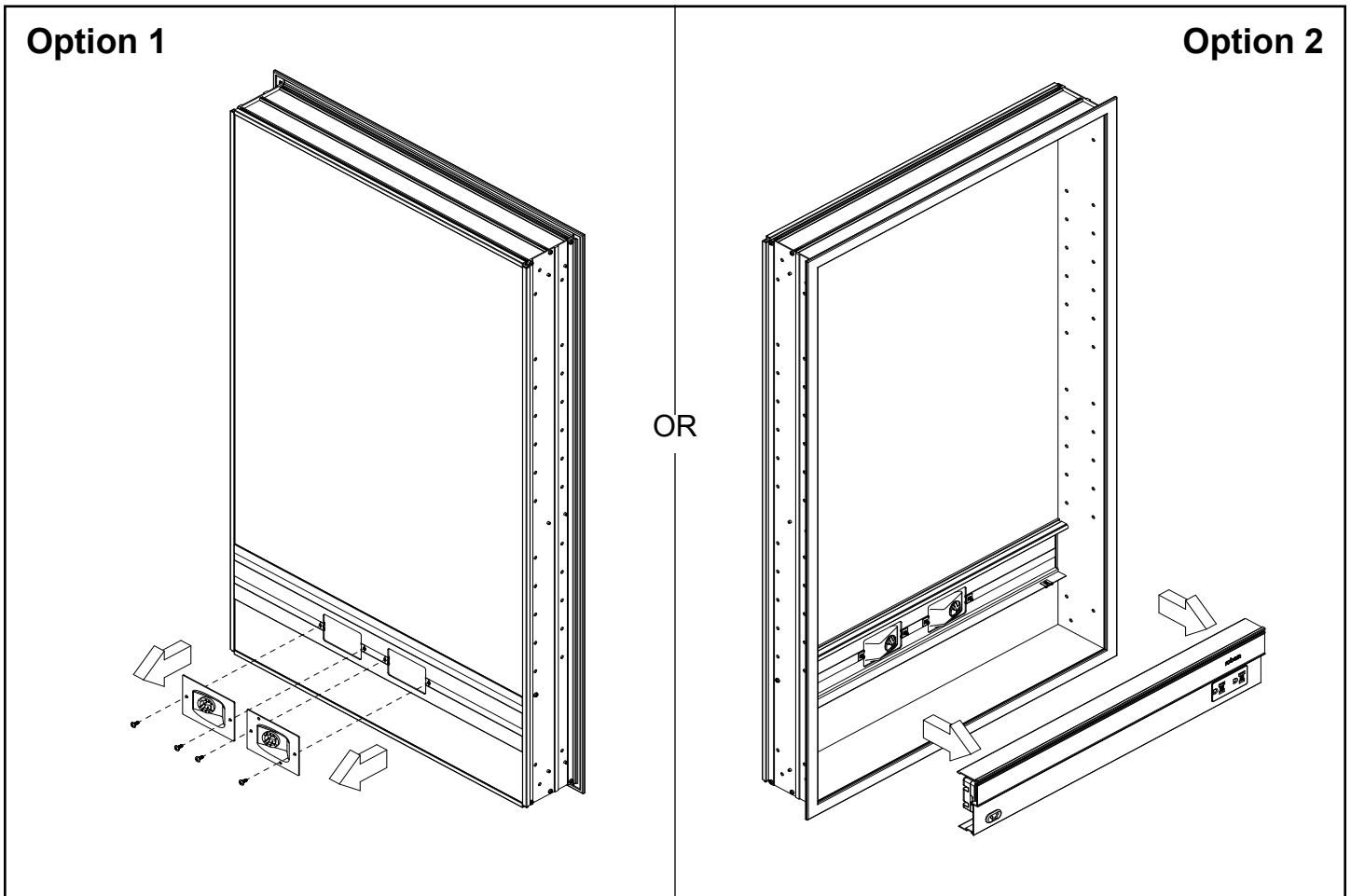
ELECTRIC CONNECTIONS

TWO options for cabinet wiring are available. Select the best option to make your installation easier.

Option 1: Connecting the FIELD/POWER wires at the rear of the cabinet.

Option 2: Connecting the FIELD/POWER wires inside the cabinet.

Removing the electronic shelf cover inside the cabinet allows the FIELD/POWER wires to be connected inside the cabinet. Removal of the interior electrical shelf cover is required. The cabinet can be fully wired after mounting in/on the wall.



robern

© 2020 Robern, Inc. 701 N. Wilson Ave. Bristol, PA 19007 U.S.A.
800.877.2376 www.robern.com

Installation instructions

OPTION 1 - ELECTRIC CONNECTIONS

1. Remove the access screws from each plate located on the back of the cabinet. Remove rear plates to access internal wiring.

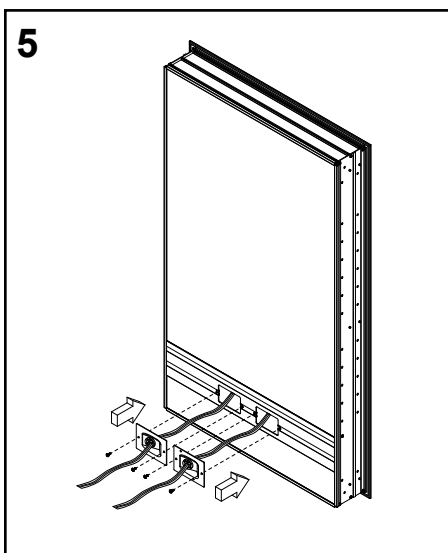
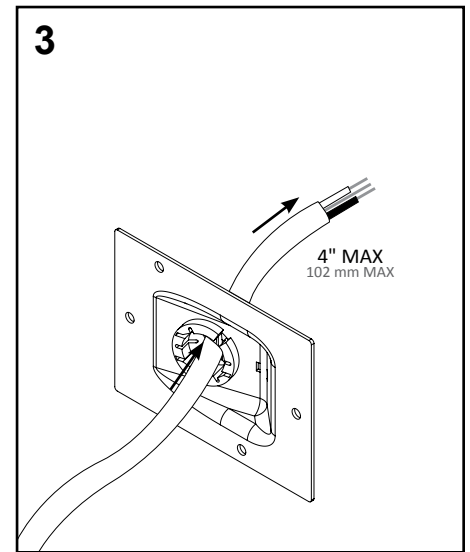
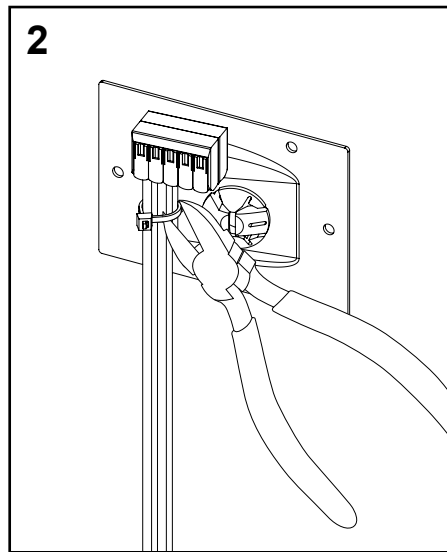
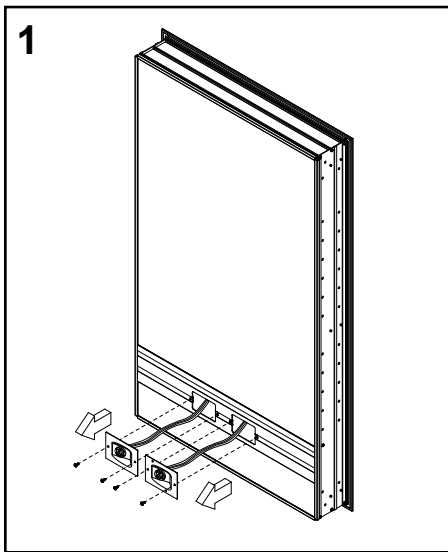
NOTE: Wiring access opening closest to hinge side of cabinet contains dimmer/switch connections.

2. Carefully cut plastic tie before making the connections.

3. Feed the electric wire through the access hole in the plate as shown.

4. Make all electrical connections as referenced in the electrical diagram on page 6.

5. Reinstall rear access plate.



robern

© 2020 Robern, Inc. 701 N. Wilson Ave. Bristol, PA 19007 U.S.A.
800.877.2376 www.robern.com

Installation instructions

OPTION 2 - ELECTRIC CONNECTIONS

1. Remove the access screws in bottom of the electrical shelf (all instances). Lift up and remove for access to electrical connections.

NOTE: Wiring access opening closest to hinge side of cabinet contains dimmer/switch connections.

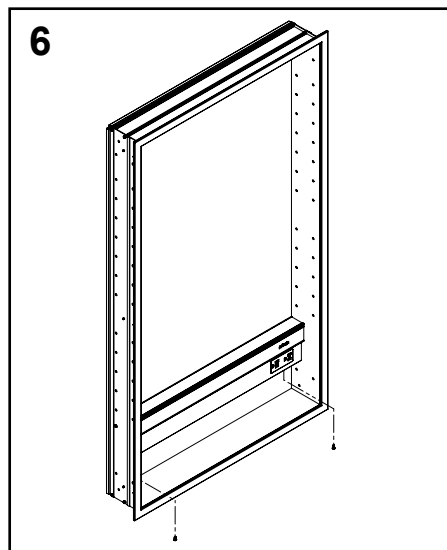
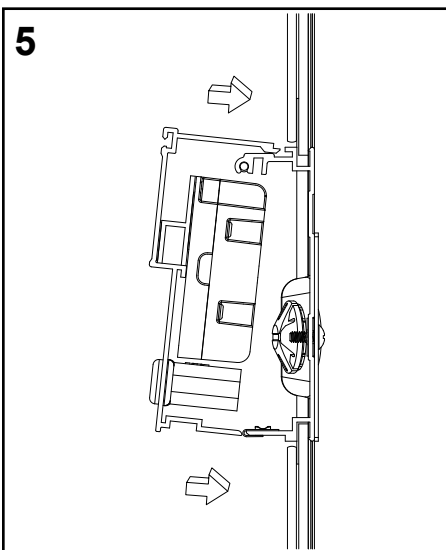
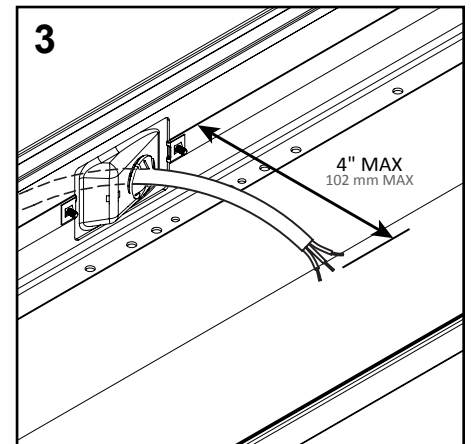
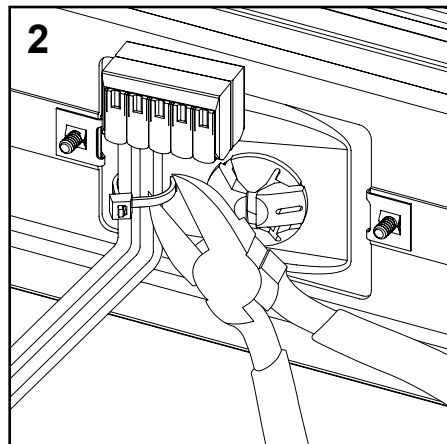
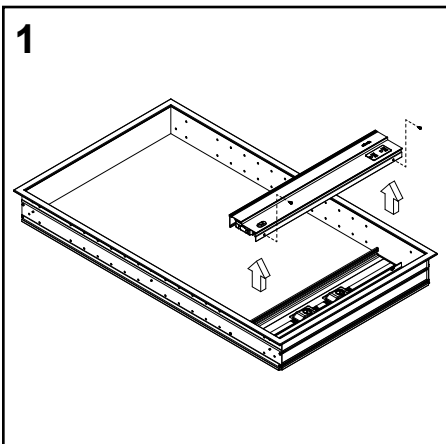
2. Carefully cut plastic ties before making the connections.

3. Feed the field wiring through the access holes in the back of the cabinet.

4. Make all electrical connections as referenced in the electrical diagram on page 6.

5. Engage top of electrical shelf into back raceway and rotate down to close, making sure not to crimp or pinch wires and connections.

6. Reinstall two access screws into electrical shelf.



robern

© 2020 Robern, Inc. 701 N. Wilson Ave. Bristol, PA 19007 U.S.A.
800.877.2376 www.robern.com

Installation instructions

Part no. CB-209-1332 05/05/20
Vitality Cabinet

RECESS MOUNTING

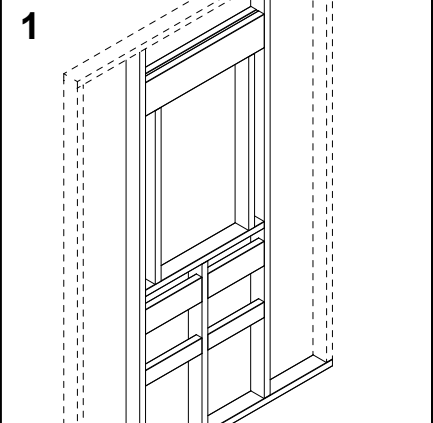
These instructions are for recess mounting your cabinet. Refer to page 6 for door removal instructions.

1. Make rough opening and frame on all sides. Find the specific model dimensions to make rough opening (page 5).

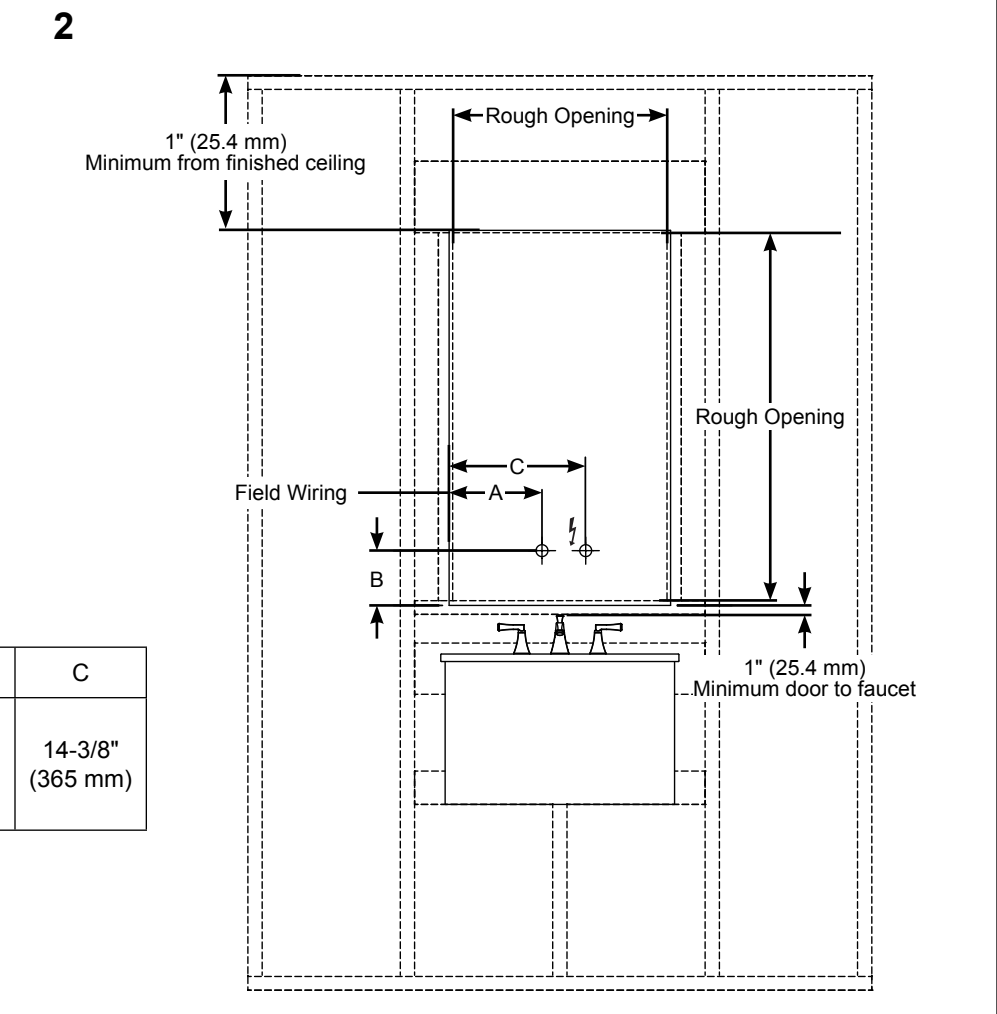
NOTE: Make sure cabinet door has at least 1" (25mm) clearance above the top of the faucet (including drain stop) and at least 1" below the ceiling.

2. Electrical field wiring: Electrical feed through location is indicated below. See page 5 for wire access locations. See page 6 for electric connection diagram.

1



2



	A	B	C
YC24 Cabinet	9-1/2" (248 mm)	5-3/4" (146 mm)	14-3/8" (365 mm)

WARNING: An Electrical option cabinet must be wired to a Class A 20 Amp GFCI (Ground Fault Circuit Interrupter) protected circuit when used in bathrooms and all other locations required by the National Electric Code.

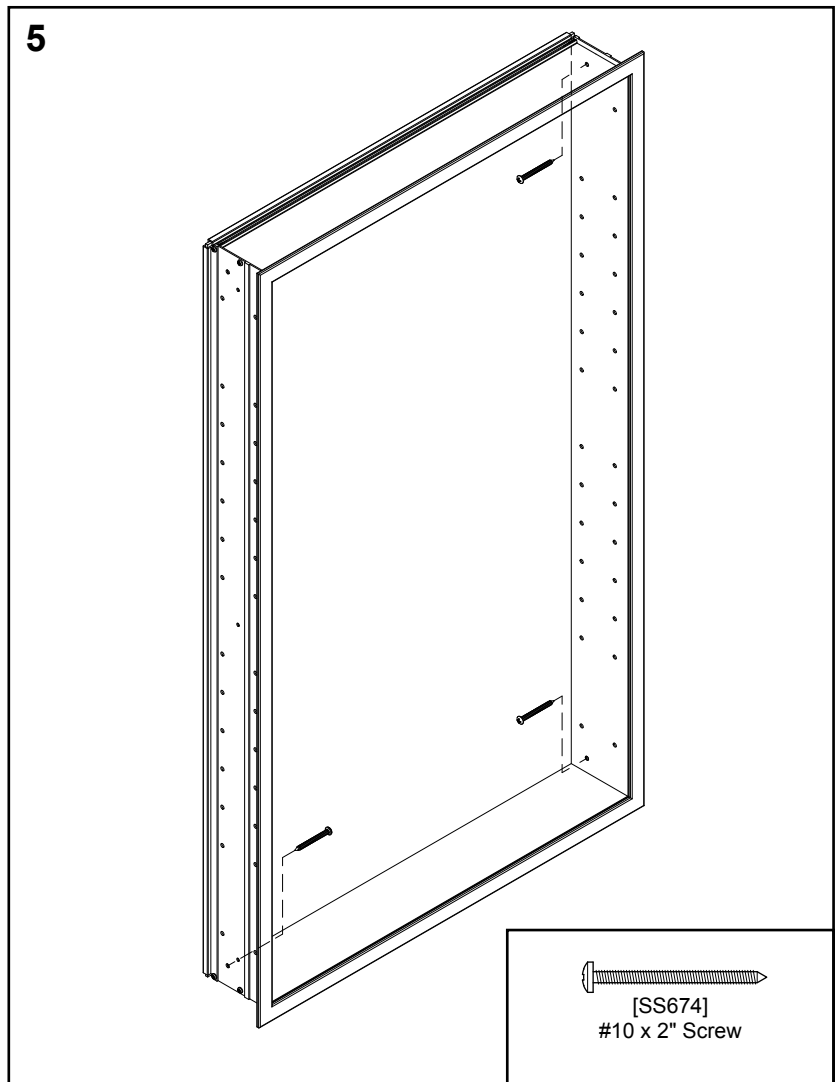
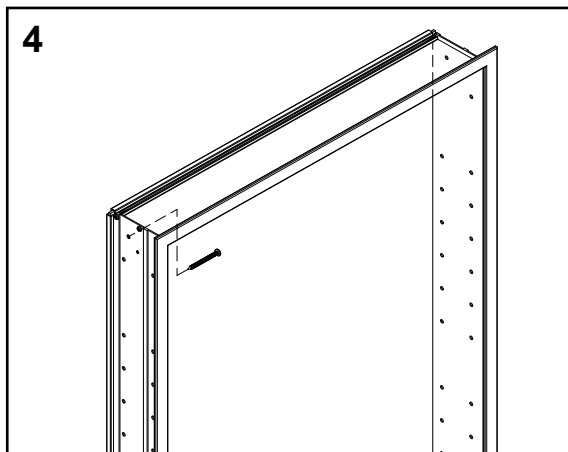
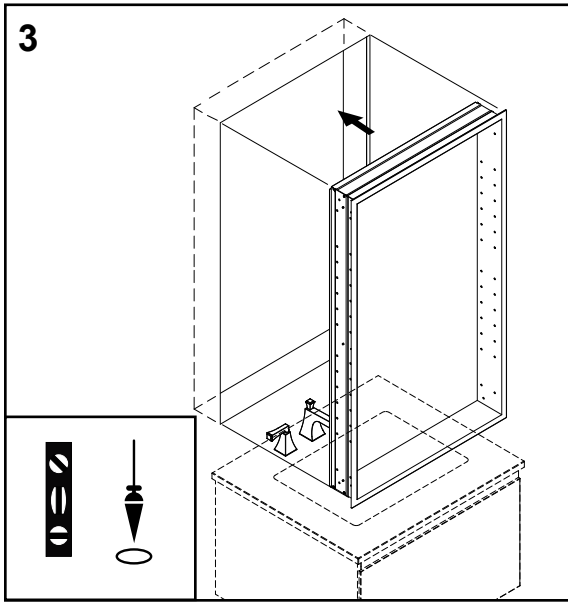
RECESS MOUNTING

3. Place cabinet in rough-in and make sure cabinet is plumb and level.

4. Install a #10 X 2" screw [SS674] through top mounting hole in cabinet side and screw into wall stud as shown. Do not over tighten screw.

5. Once cabinet is plumb and level, install #10 X 2" screws into wall studs through the three remaining mounting holes. Do not over tighten screws.

Proceed to page 15 for Final Assembly steps.

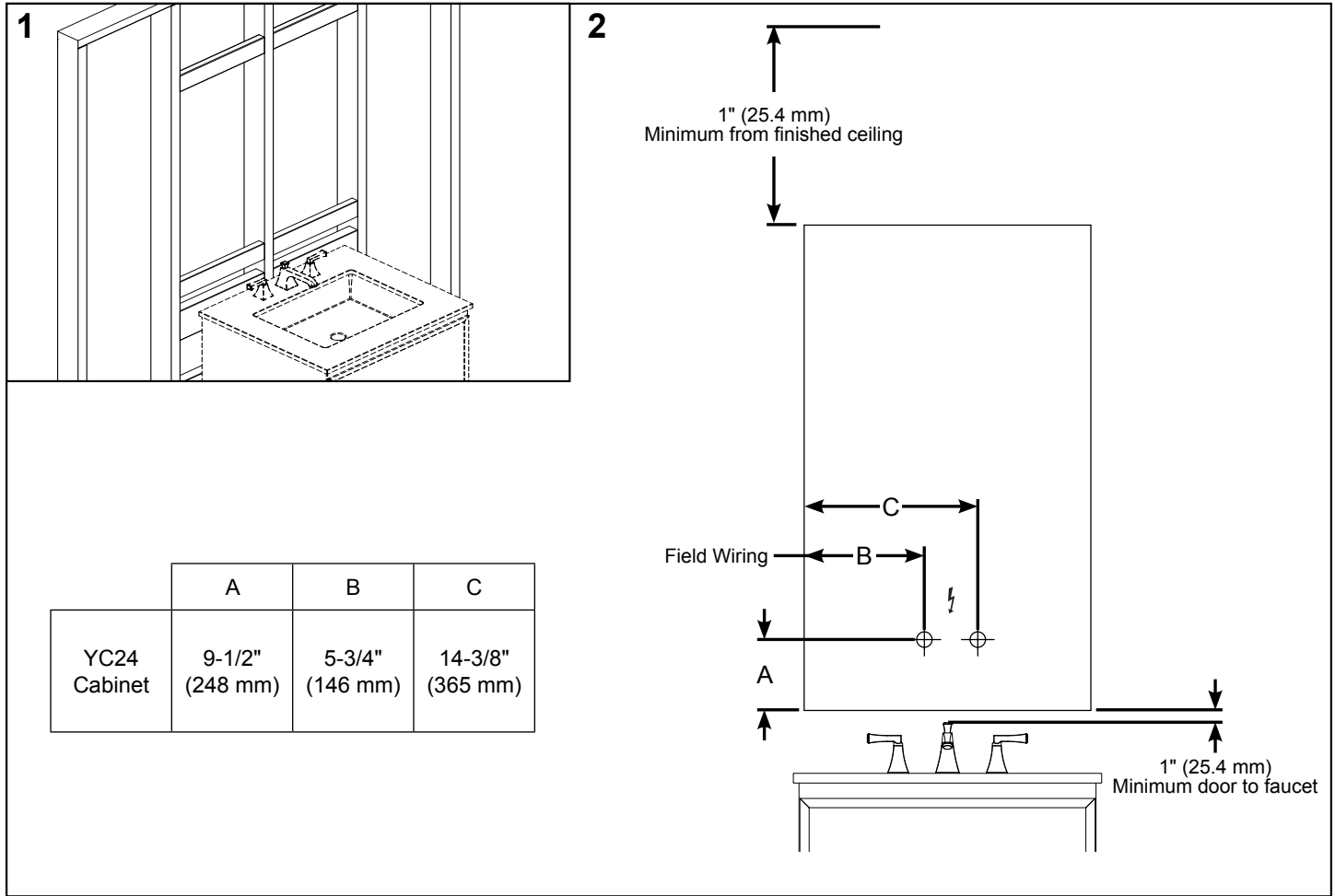


SURFACE MOUNTING

All parts required for surface mounting are included in the optional Surface Mount Kit (see page 4). These instructions are for surface mounting. Refer to page 6 for door removal instructions.

1. It is strongly recommended that the wall be framed behind the drywall or tile.
2. Electrical field wiring: Electrical feed through location is indicated below. See page 5 for wire access locations.

NOTE: Make sure cabinet door has at least 1" (25mm) clearance above the top of the faucet (including drain stop) and at least 1" below the ceiling.



WARNING: An Electrical option cabinet must be wired to a Class A 20 Amp GFCI (Ground Fault Circuit Interrupter) protected circuit when used in bathrooms and all other locations required by the National Electric Code.

SURFACE MOUNTING

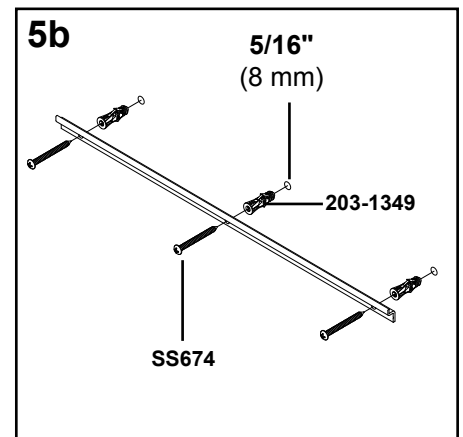
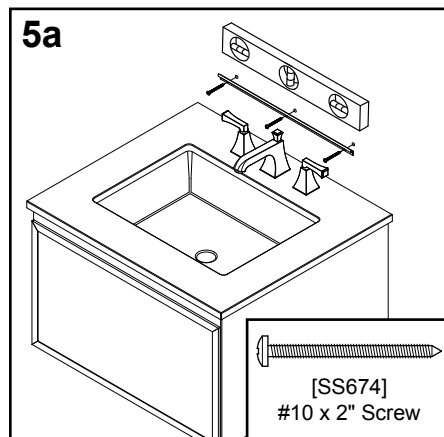
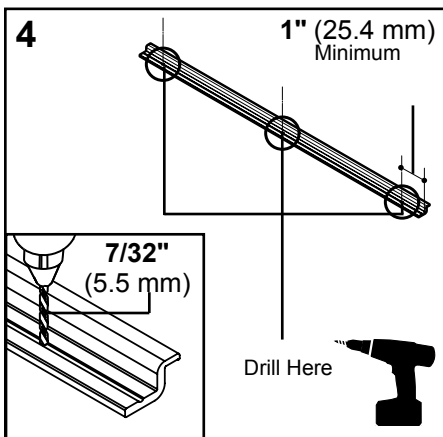
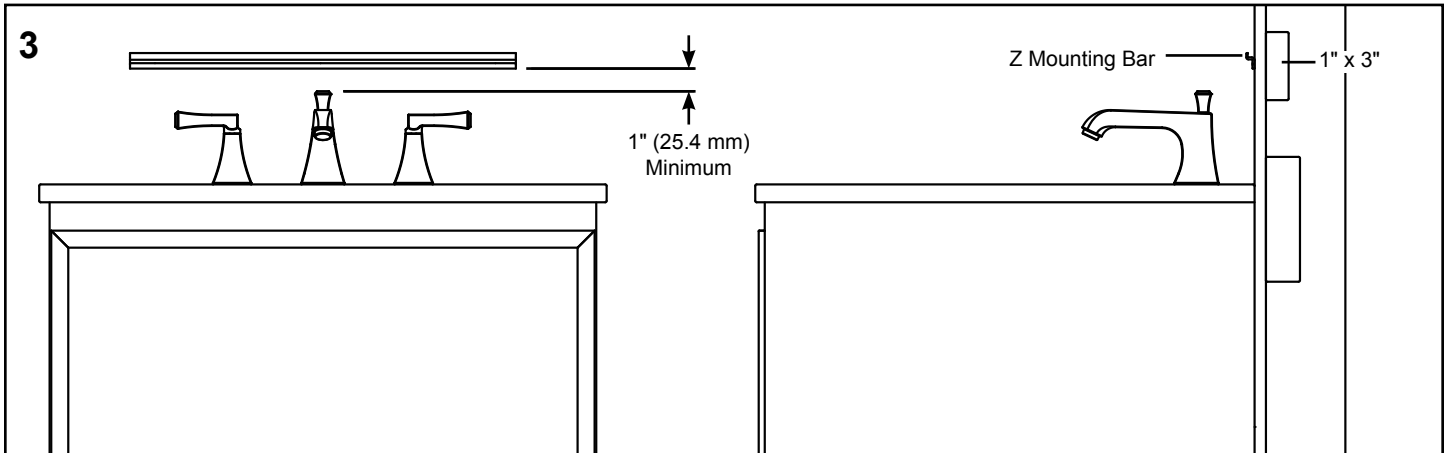
3. Center Z Mounting Bar at cabinet location. Make sure Z Mounting Bar is at least 1" (25mm) above fixtures.

4. Locate and drill three 7/32" (5.5mm) holes through the indent line on the mounting bar. Be sure the mounting bar is level. Make sure Z mounting bar is centered.

5a. Use #10 X 2" screws [SS674] provided to attach the Z Mounting Bar mounting strip to the wall.

5b. If no furring strip or stud is available, use the provided wall anchors [203-1349], making sure that each cabinet is supported by at least 3 anchors. Drill a 5/16" (8 mm) hole for wall anchors and insert the wall anchor into hole until the anchor flange is flush with the wall.

5c. Use #10 X 2" screws [SS674] and tighten until there is a strong resistance. DO NOT OVER TIGHTEN.



SURFACE MOUNTING

6. Slide three Top Clips [SS712] into the screw channel at the top of the cabinet.

NOTE! Top Clips MUST be inserted into the channel.

7. Lift the cabinet and place the cabinet onto the Z mounting bar.

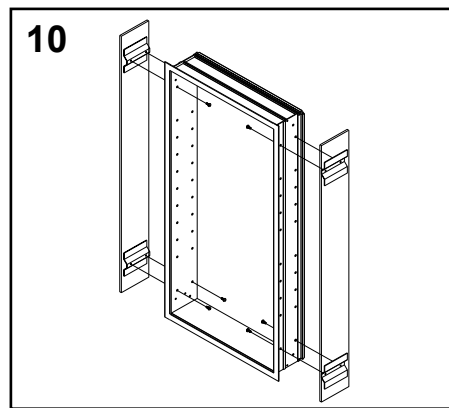
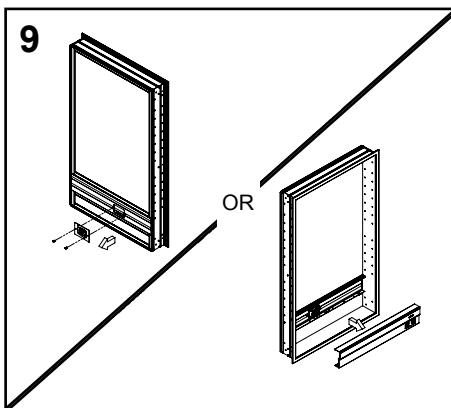
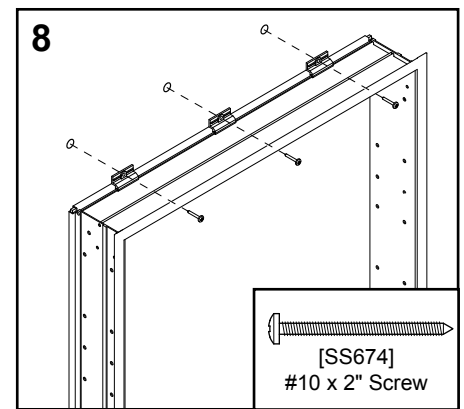
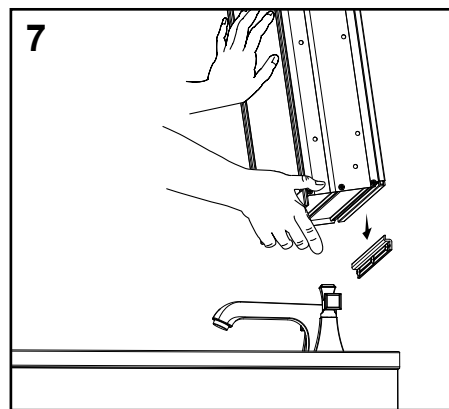
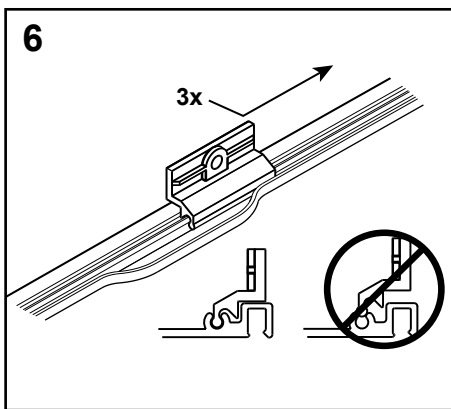
8. Using the provided #10 X 2" screws [SS674], attach the top of the cabinet to the wall through the top clips as shown.

NOTE! If no stud is available, use wall anchors as described in step 5b.

9. Electrical field wiring: See page 6 for electric connection diagram. See Page 7 for electrical connection options.

10. Attach Side Kits (included with optional Surface Mount Kit) to cabinet, using provided SS676 screws, from cabinet box interior into Side Kit mounting brackets.

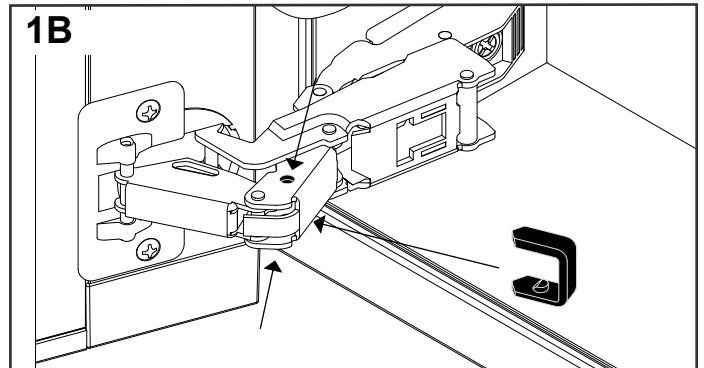
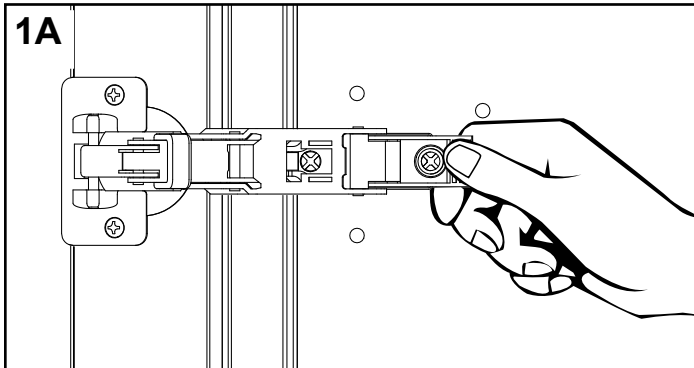
Proceed to page 15 for Final Assembly steps.



FINAL ASSEMBLY

1A. Mount the doors by pinching the end of the hinge as shown.

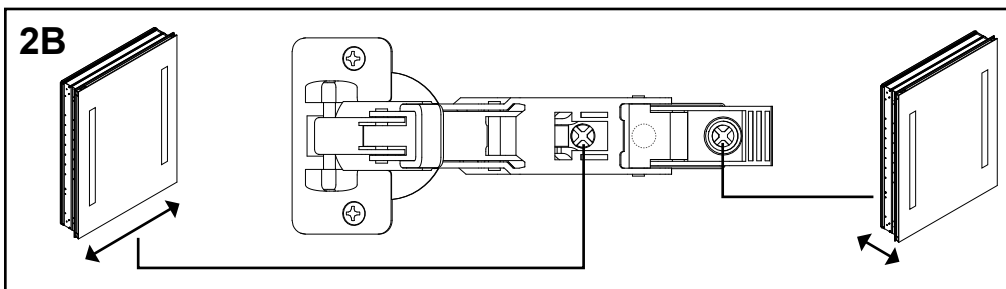
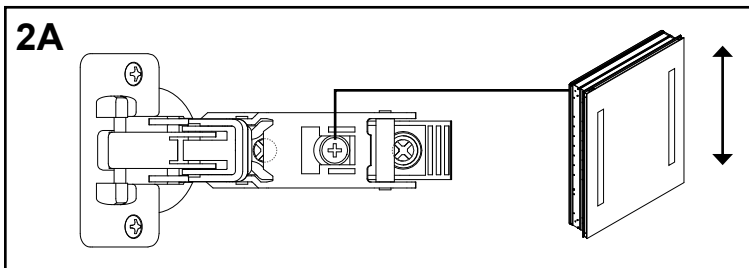
1B. If the installation requires, attach the provided hinge clips [SS666] over the elbow of the hinges to stop door swing radius at 110°.



NOTE: The door hinges have a three-way adjustment feature. These adjustments can be made using a #2 Phillips Head screwdriver.

2A. With the hinge slightly closed, you can access the middle screw. This screw will move your door front up and down, adjusting the height.

2B. With the hinge fully extended, you can access the front and back screws. The front screw will adjust the door front from side to side. The rear screw will adjust the door in and out.



robern

© 2020 Robern, Inc. 701 N. Wilson Ave. Bristol, PA 19007 U.S.A.
800.877.2376 www.robern.com

Installation instructions

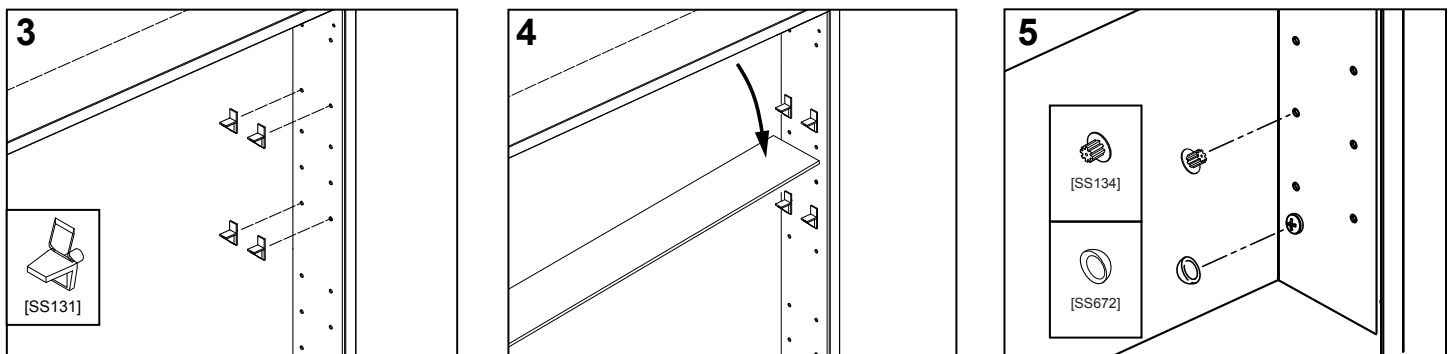
FINAL ASSEMBLY

3. Insert clear snap-in Shelf Clips [SS131] into the holes on the sides of the cabinet.

4. Push one side of the shelf into the left or right clip. Snap the shelf down into the opposite side. If the shelf is too tight, repeat the process starting from the opposite side.

5. Press the hole plugs [SS134] into the unused holes inside the cabinet. Place the Screw Caps [SS672] over any exposed screw heads.

NOTE: Do not store items in the cabinet area directly behind the hinge, as damage may occur to cabinet or items.



USE AND MAINTENANCE

CAUTION: Maximum shelf load 34 LBS

The cabinet door and interior are constructed of mirrored glass and aluminum. Use only a damp cloth to clean. Ammonia or vinegar-based cleaners can damage mirrors.

A 50/50 solution of water and isopropyl alcohol is recommended for cleaning the mirrors. A mild detergent may be used on the surfaces.

When cleaning, spray the cloth, not the cabinet, mirror, or surround surfaces. Do not use abrasive cleansers on any part of the light fixture.

No Ammonia
No Vinegar



WARRANTY

Limited Warranty One Year Term

ROBERN warrants to the original purchaser that, it will, at its election repair, replace, or make appropriate adjustment to products made by this company shown to have significant defects in material or workmanship which are reported to ROBERN in writing within one (1) year from the date of delivery. ROBERN is not responsible for installation costs. The warranty is void in the event the product is damaged in transit, or if damage or failure is caused by abuse, misuse, abnormal usage, faulty installation, damage in an accident, improper maintenance, or any repairs other than those authorized by ROBERN. At the expiration of the one year warranty period, ROBERN shall be under no further obligation under any warranty, expressed or implied, including the implied warranty of merchantability. ROBERN shall not be liable for any consequential damages arising out of or in connection with the use or performance of its products. Some states do not allow limitations on how long an implied warranty lasts or do not allow the exclusion or limitation of incidental or consequential damages, so the above limitation or exclusion may not apply to you. Any liability against ROBERN under any implied warranty, including the warranty of merchantability, is expressly limited to the terms of this warranty. Permission to return any merchandise under this warranty must be authorized by ROBERN and returned prepaid by the purchaser. Claims under this warranty should be sent directly to your dealer.

©2020 ROBERN, INC.

ALL RIGHTS RESERVED