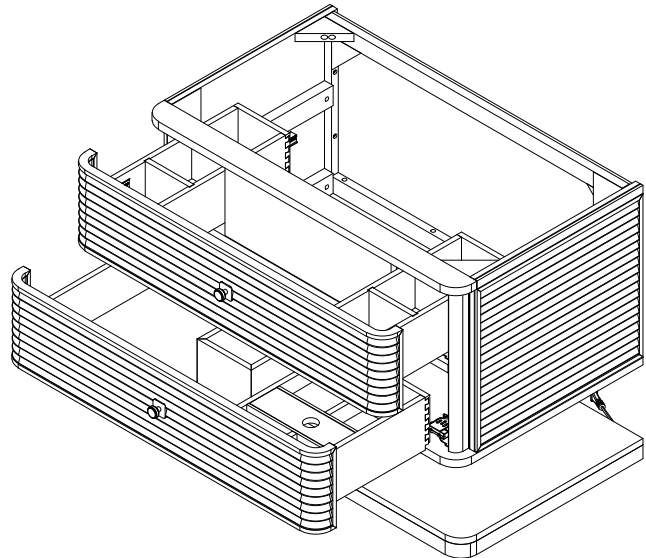
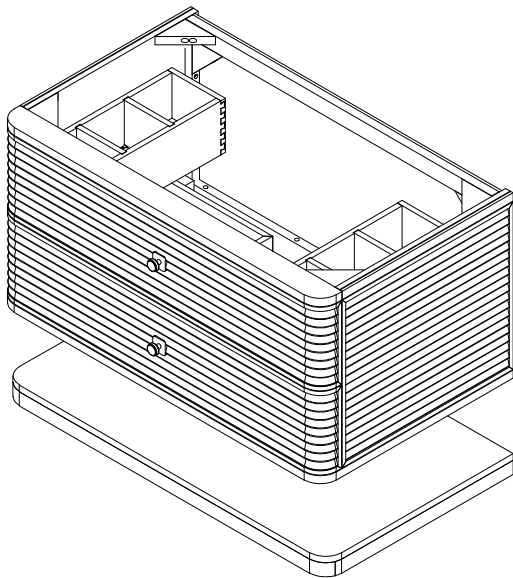


## ALLAMARI 36" SINGLE VANITY

D640-V36-SBL  
D640-V36-DMS

**JAMES MARTIN**  
VANITIES®



### Features and Materials

Solids: Ash

Veneers: Ash

Panels: Moisture-Resistant MDF

Installation Type: Wall mounted

Number of Drawers: Two

Dividers & Organizers: Ash Veneer over moisture-resistant MDF

Drawer Box Material and Finish: Ash Veneers and Poplar Veneers over

Moisture Resistant MDF

English Dovetail Joinery

USB/Power Component: No

Assembly Type: Installation of Optional 3cm Top with Sink

Assembly Type: Cabinet comes fully assembled

Hardware Material and Finish: Steel in Champagne Brass

Number of Basins: One, With Optional 3cm Top

Vanity Top Included: No, Optional 3cm Tops Available with Sinks

Overflow: Yes, Front Facing

Fits Drain Hole Size: 1 3/4"

Full Extension, Soft Close Glides

### Dimension

Width: 35-5/8"

Depth: 21-1/2"

Height: 34-3/4"

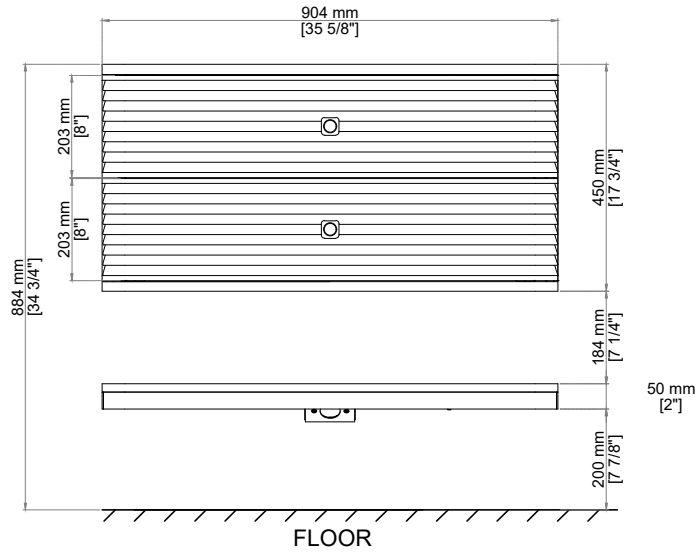
Rough-In Height: 23-1/2"

Visit website for warranty and installation information

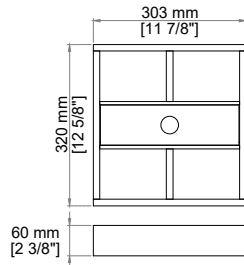
<http://www.jamesmartinvanities.com>

# ALLAMARI 36" SINGLE VANITY

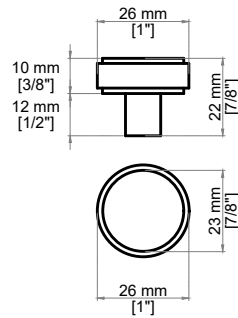
D640-V36-SBL  
D640-V36-DMS



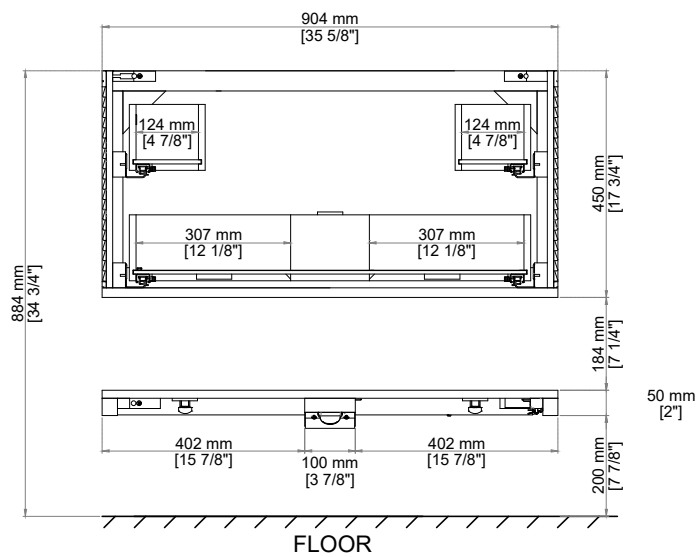
### Drawer Organizer



### Knob



### Front View



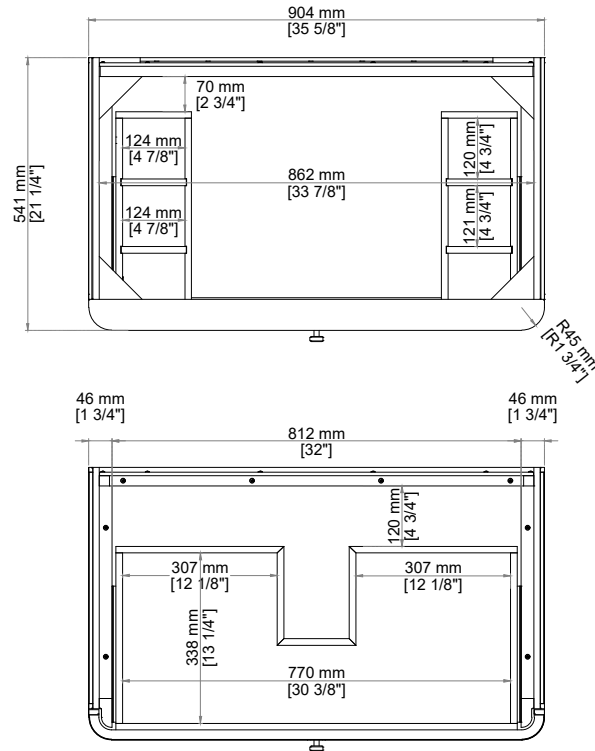
Diagrams are of cabinet only-James Martin Optional Countertops and sinks are not shown

Visit website for warranty and installation information  
<http://www.jamesmartinvanities.com>

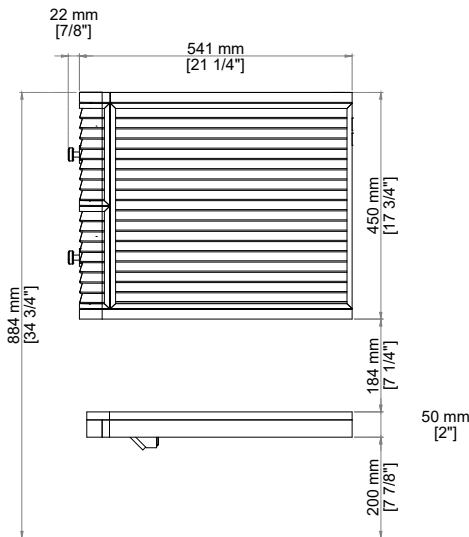
# JAMES MARTIN VANITIES®

## ALLAMARI 36" SINGLE VANITY

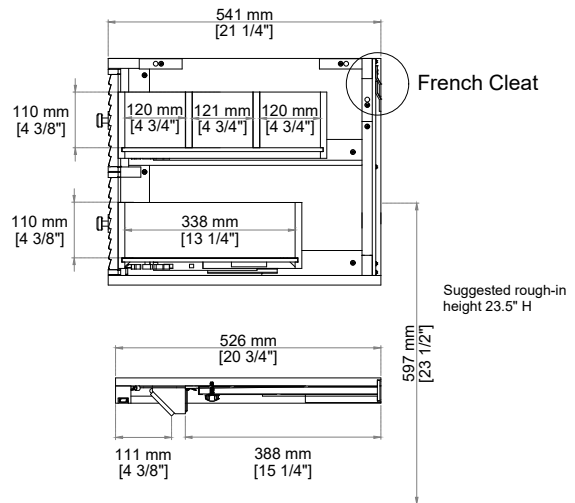
D640-V36-SBL  
D640-V36-DMS



Top View



Side View



Side View

All dimensions are nominal

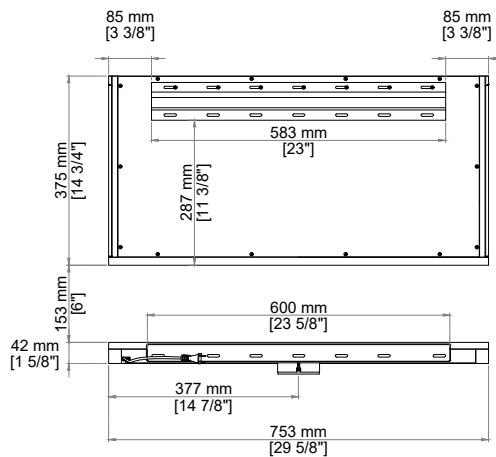
Diagrams are of cabinet only-James Martin Optional Countertops and sinks are not shown

Visit website for warranty and installation information  
<http://www.jamesmartinvanities.com>

# ALLAMARI 36" SINGLE VANITY

D640-V36-SBL  
D640-V36-DMS

# JAMES MARTIN VANITIES®



Back View

All dimensions are nominal

Diagrams are of cabinet only-James Martin Optional Countertops and sinks are not shown

Visit website for warranty and installation information  
<http://www.jamesmartinvanities.com>