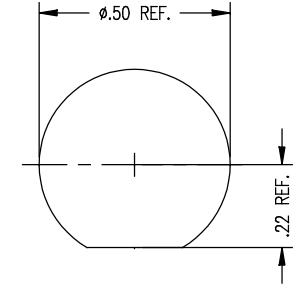
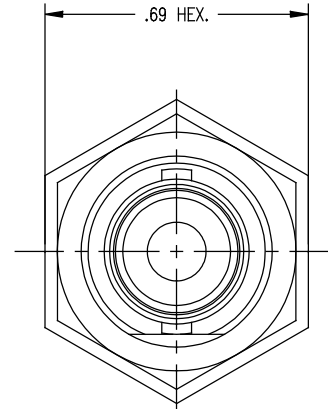
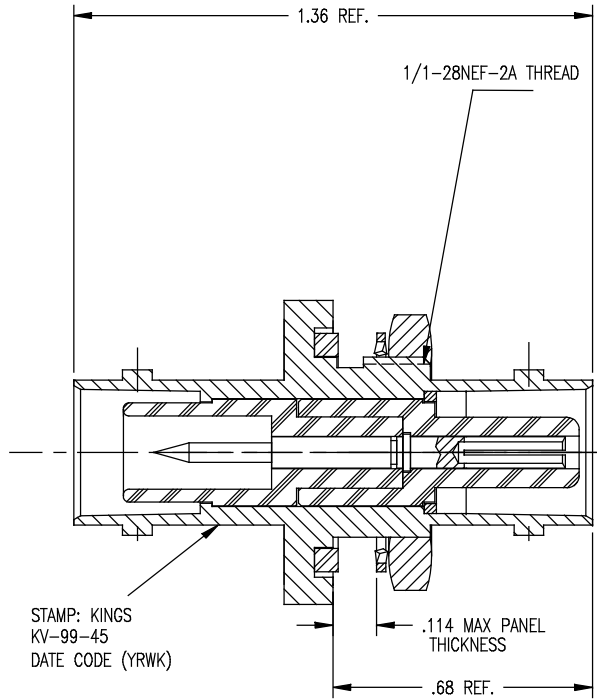


DASH NO.	M CODE	MADE FROM
----------	--------	-----------

GSD

KV-99-45

REVISIONS	
ISSUE	CHANGES
1	CN 39499 C REDRAWN AM 06/16/06



"D" TYPE MOUNTING HOLE

GSD

SCALE :	
APPROX SURFACE AREA	
USED ON	
REF:	
MHV ADAPTER, POLARIZED STD.	
DRAWN AM	DATE 06/16/
DESIGN AM	DATE 06/16/06
APPR.	DATE

KINGS
ELECTRONIC CO., INC.
ROCK HILL, SOUTH CAROLINA 29730

KV-99-45