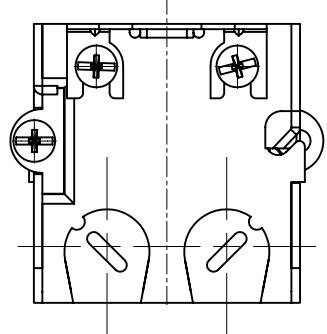
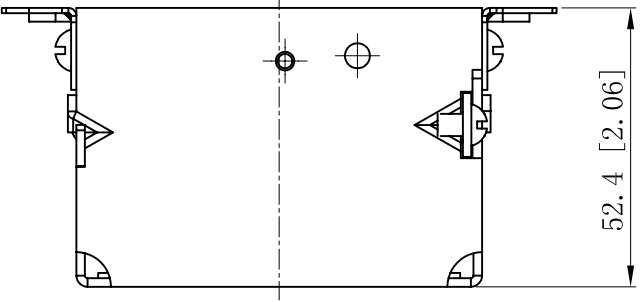
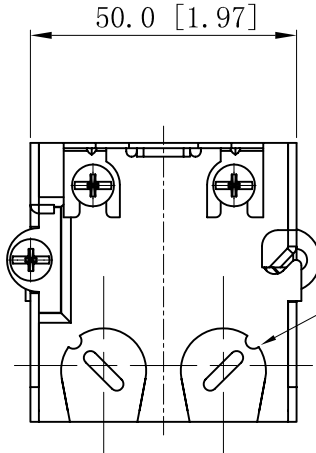
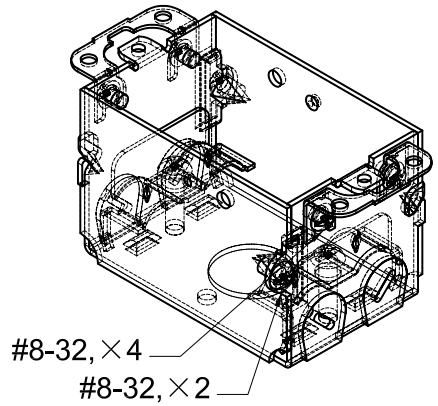
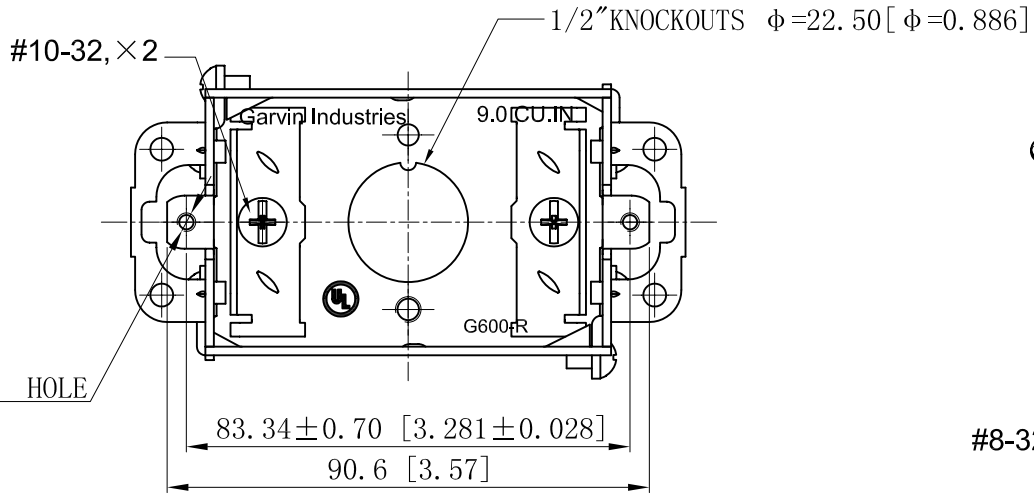


<b>SIDES</b>	<b>BOTTOM</b>
4 KNOCKOUTS	1/2" KNOCKOUTS
2 PCS 8-32×1/4 Screws Installed	
4 PCS 8-32×3/16 Screws Installed	
2 PCS 10-32×1 Screws Installed	
Material: Steel-0.0625"-G60 Galvanized	



<b>DESCRIPTION</b>
<b>TRADE REFERENCE TERMS</b>

<b>STANDARD PACKING</b>
50 PCS

This data sheet is for reference only .GARVIN INDUSTRIES reserves the right to make changes to the design without prior notice.

<b>GARVIN INDUSTRIES</b>		
TITLE GANGABLE SWITCH BOXES WITH CONOUIT KNOCKOUTS		
SIZE A4	DWG NO. G600-R	REV C
DATA SHEET		