

AXOR Starck
Bar Faucet, 1.5 GPM
Finishes : **chrome** Part no. : **10826001**



Description

Features

- Swivel range 150°
- Aerated spray
- Single-hole installation
- Flow: 1.5 GPM (5.7 L/Min)
- Joystick ceramic cartridge
- 3/8" connections

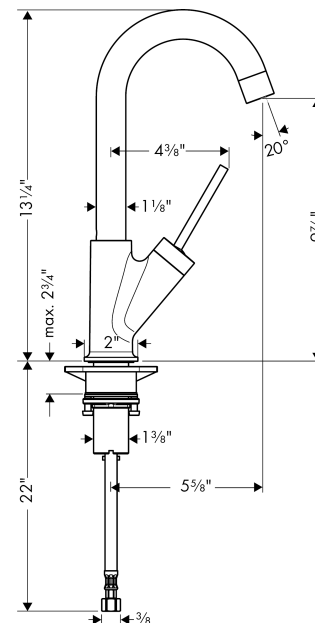
Technology



Product image



Scale drawing

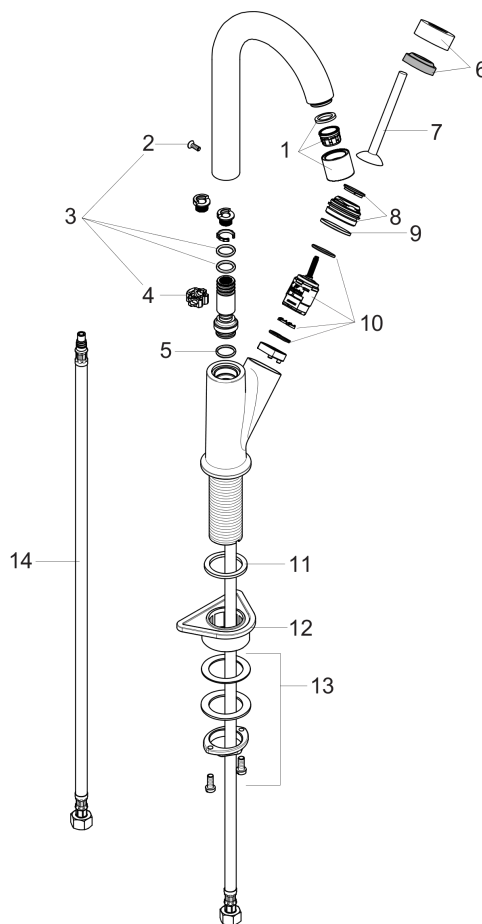


AXOR Starck
Bar Faucet, 1.5 GPM
Finishes : **chrome** Part no. : **10826001**



Exploded drawing

Year of production: >08/12



AXOR Starck
Bar Faucet, 1.5 GPM
 Finishes : **chrome** Part no. : **10826001**



Spare parts list

Year of production: >08/12

Pos.	Description	Part no.	PC	PU
1	aerator M24x1 (7 l/min)	95965000	0	1
2	screw	97662000	0	1
3	sealing set	92646000	0	1
4	axialring	97558000	0	1
5	O-ring 16x2	98133000	0	1
6	flange	97155000	0	1
7	handle	95893000	0	1
8	nut	97157000	0	1
9	O-ring 41x1,5	98168000	0	1
10	cartridge, assy	96339000	0	1
11	flat seal	98749000	0	1
12	support	97523000	0	1
13	fixing set (Ø 34)	95049000	0	1
14	connection hose 35½" M8x0,75 3/8"	96316001	0	1