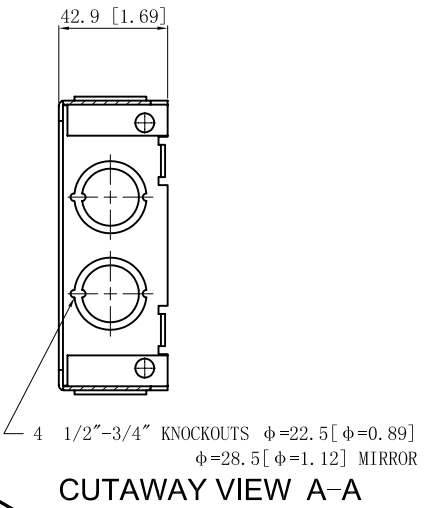
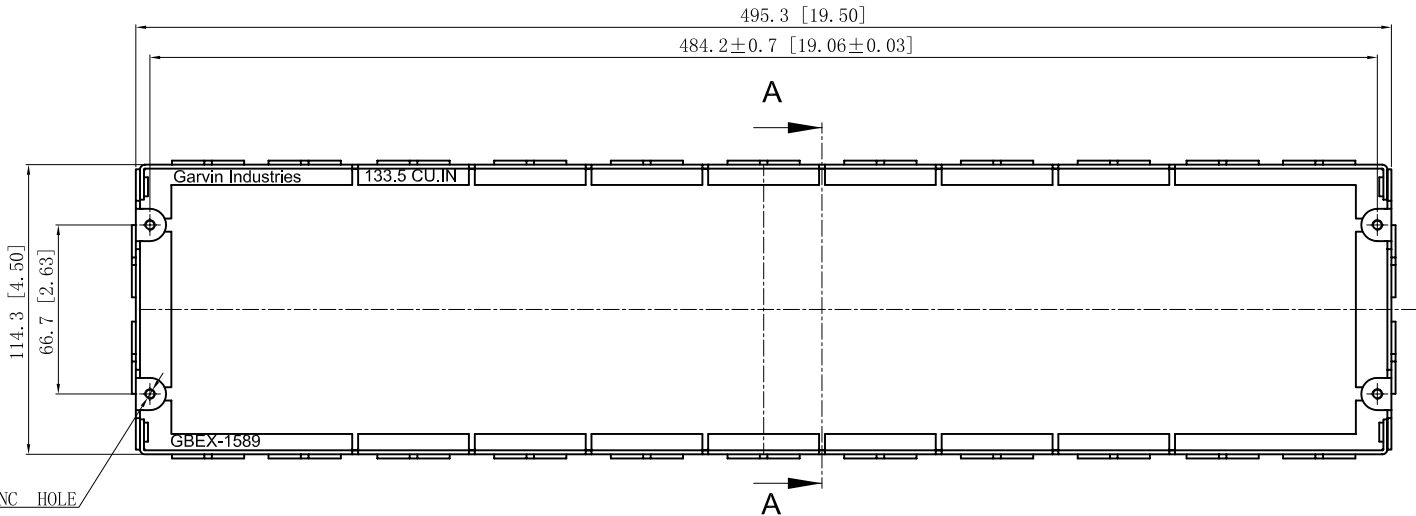
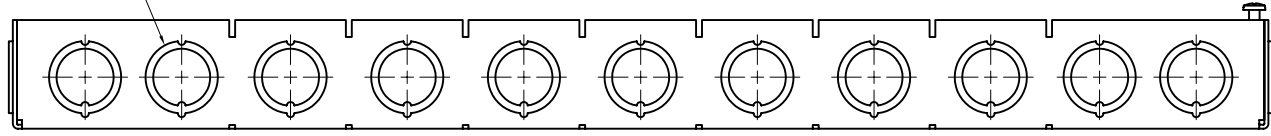


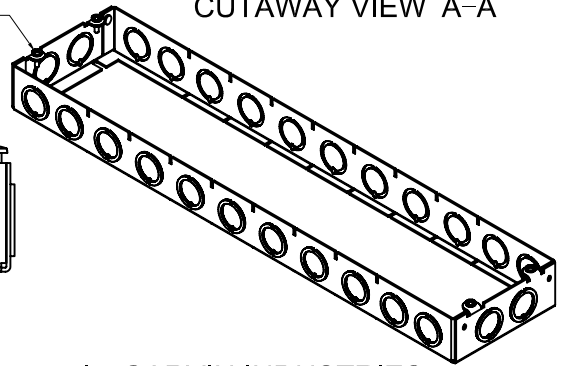
<b>SIDES</b>	<b>BOTTOM</b>
22 1/2"-3/4" KNOCKOUTS	
4 PCS 8-32×1/2 Screws Installed	
Material:Steel-0.0625"-G60 Galvanized	



22 1/2"-3/4" KNOCKOUTS  $\phi=22.5$  [ $\phi=0.89$ ]  
 $\phi=28.5$  [ $\phi=1.12$ ] MIRROR



#8-32 UNC, ×4



This data sheet is for reference only .GARVIN INDUSTRIES reserves the right to make changes to the design without prior notice.

<b>DESCRIPTION</b>
<b>TRADE REFERENCE TERMS</b>

<b>STANDARD PACKING</b>
5 PCS

<b>GARVIN INDUSTRIES</b>		
TITLE 1-5/8" DEEP MULTI-GANG BOXES EXTENSION RIGS		
SIZE A4	DWG NO. GBEX-1589	REV A
DATA SHEET		