

AXOR Starck
Single-Hole Faucet 90 with Pop-Up Drain, 1.2 GPM
 Finishes : **brushed nickel** Part no. : **10111821**



Description

Features

- Aerated spray
- Flow: 1.2 GPM (4.5 L/Min)
- Joystick ceramic cartridge
- Includes pop-up drain

Technology



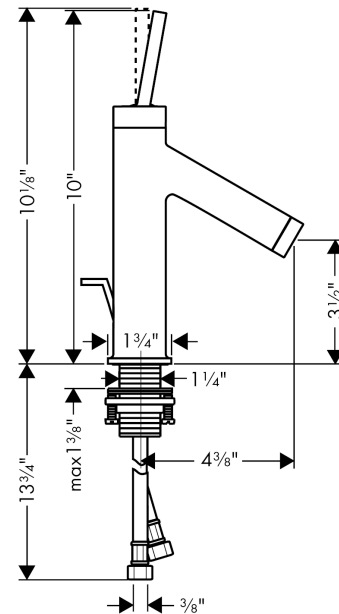
Design awards



Product image



Scale drawing

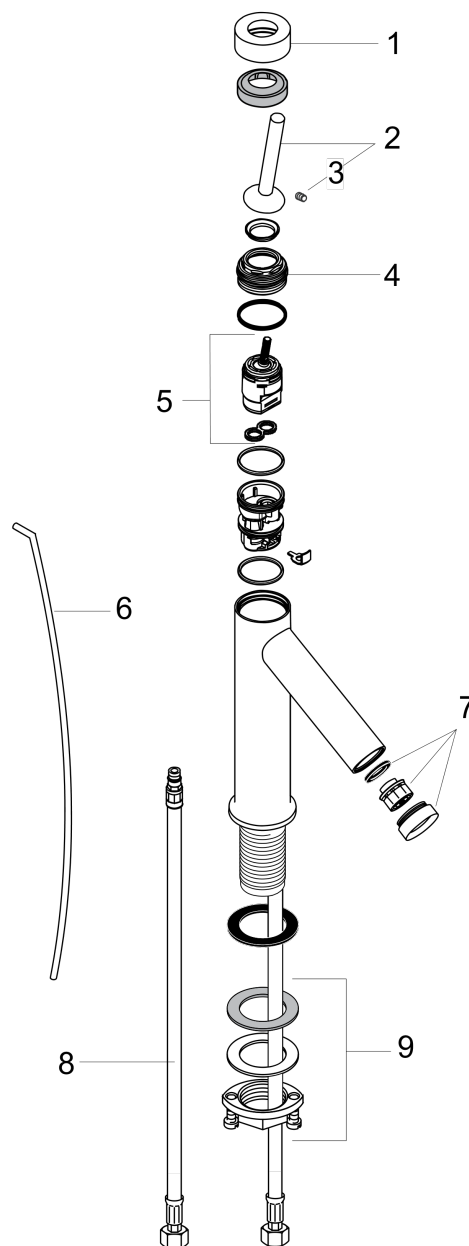


AXOR Starck
Single-Hole Faucet 90 with Pop-Up Drain, 1.2 GPM
Finishes : **brushed nickel** Part no. : **10111821**



Exploded drawing

Year of production: >07/16



AXOR Starck
Single-Hole Faucet 90 with Pop-Up Drain, 1.2 GPM
 Finishes : **brushed nickel** Part no. : **10111821**



Spare parts list

Year of production: >07/16

Pos.	Description	Part no.	PC	PU
1	flange	97155820	0	1
2	handle	10092820	0	1
3	hollow set screw M4x6	97767000	0	1
4	nut	97157000	0	1
5	cartridge, assy	96339000	0	1
6	pull rod	97158820	0	1
7	aerator M24x1 (4,5 l/min)	92812820	0	1
8	connection hose 18½" M8x0,75 3/8"	96321001	0	1
9	fixing set (Ø 32)	13961000	0	1
a	service tool for disassembling the handle	92124000	0	1