

Brand	AXOR
Art. Name	AXOR ShowerSolutions Showerhead 250 2- Jet with Showerarm Trim, 1.75 GPM
Art. Nr.	35364821
Surface	brushed nickel
Pos.	1

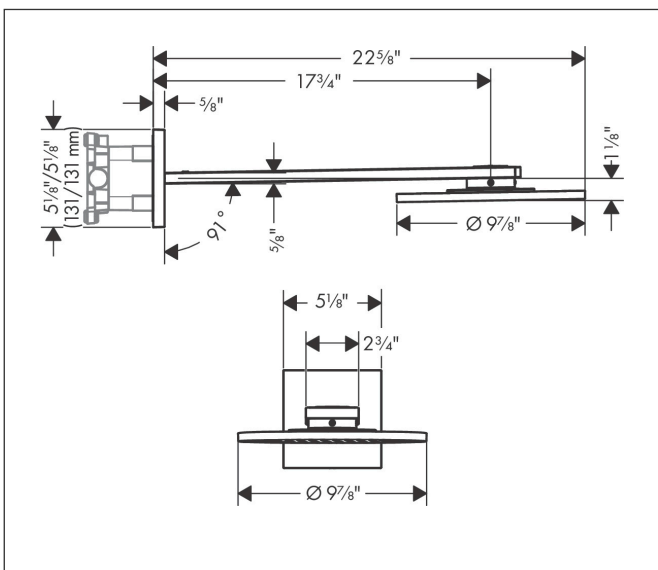
Product Picture



Features

- Consists of: Showerhead, Showerarm, Green Diverter
- shower head size: 250 mm
- Spray modes: PowderRain, Intense PowderRain
- adjustment with shift on thermostat
- dynamic spray nozzles move out while using
- Flow: 1.75 GPM (6.6 L/Min)
- Showerhead removable for cleaning
- ServiceCard with sieve can be removed without tools for cleaning purpose

Drawing



Technology



Spray Types

