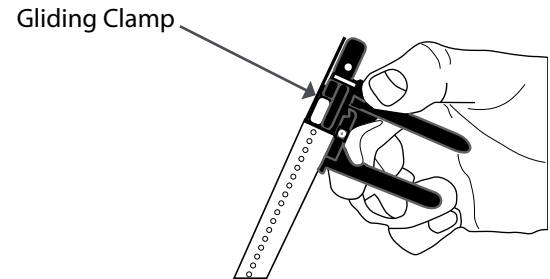
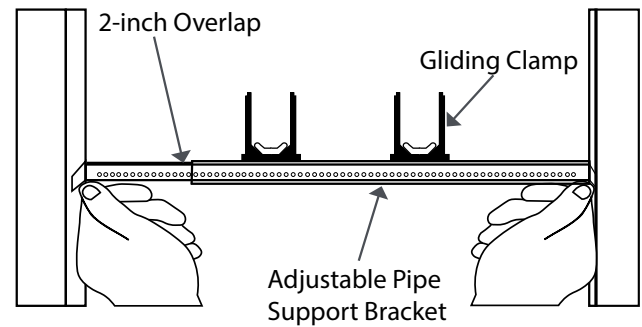


Adjustable Pipe Support Bracket with Gliding Clamps

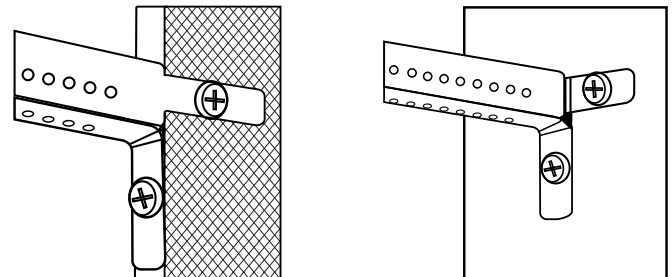
1. Slide the gliding clamp into the track of the adjustable pipe support bracket, before installing the bracket.



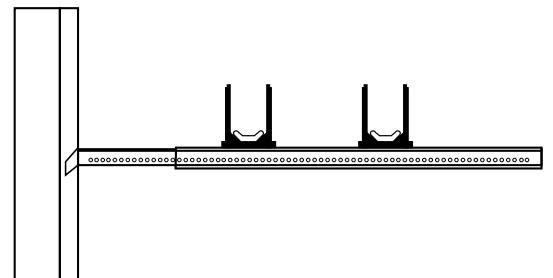
2. Expand the bracket in the stud bay making sure that there is at least a 2" overlap in the center of the bracket.



3. Bend the 4 tabs (2 on each end of the bracket) to fit the studs that the bracket is being installed on. Depending on the type of stud and the location, it is acceptable to install inside the stud or flush with the outside of the stud.
4. Use the included screws to make the final connection to the studs. Take care to not over torque the screws when installing them.

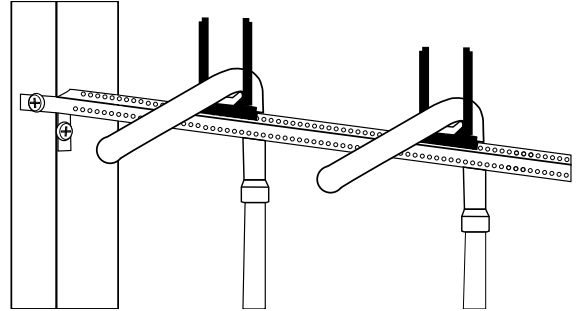


5. Adjust the installed gliding clamp to align with the supply line(s) or the drain-waste-vent (DWV) pipe that is being secured.



Installation of Plumbing

1. Install the plumbing supply or DWV line(s) by laying them inside the clamp, with the top of the gliding clamp removed.



2. Install the top of the gliding clamp over the supply line. Take care to make sure that each side of the top is evenly tensioned. Count the number of teeth on each side of the clamp to assure that both sides are equal.

