

TP-MMD5AV2

5MP HD NightSight IR VF Dome Network Camera



Key Features

- ✓ 1/2.7" progressive scan CMOS
- ✓ **NightSight**
- ✓ Max. 5MP(2880×1620) @30/25fps resolution
- ✓ Turing cloud-ready with Smart NVR series and Turing bridge/servers
- ✓ Support 256 G microSD card
- ✓ Smart IR up to 40m
- ✓ IP67, WDR, IK10



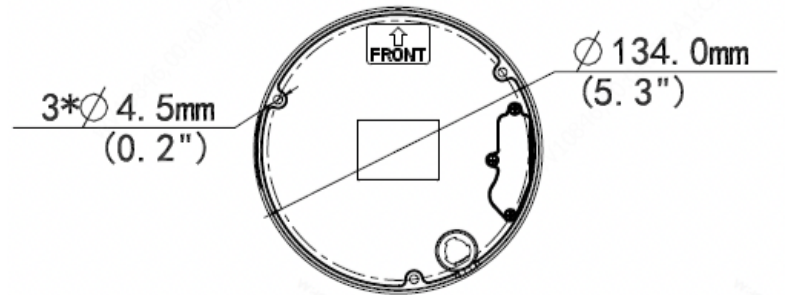
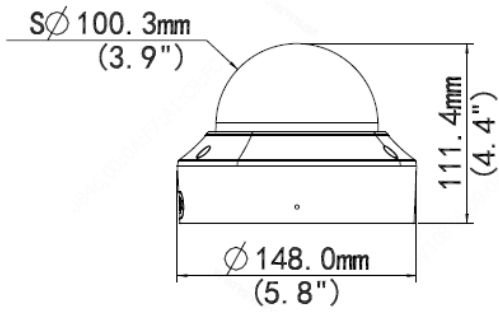
SPECIFICATIONS

CAMERA	
IMAGE SENSOR	1/2.7", 5.0 megapixel, progressive scan, CMOS
LENS	2.7 ~ 13.5mm, AF automatic focusing and motorized zoom lens
ANGLE OF VIEW (H)	106.25° ~ 30.42°
ADJUSTMENT ANGLE	Pan:0° ~ 355°, Tilt:0° ~ 80°, Rotate:0° ~ 355°
ELECTRONIC SHUTTER	Auto/Manual, 1 ~ 1/100000s
MINIMUM ILLUMINATION	Color: 0.002Lux (F1.2, AGC ON), 0Lux with IR
DAY/NIGHT	IR-cut filter with auto switch (ICR)
S/N RATIO	>56dB
IR RANGE	Up to 40m (131ft) IR range
IR WAVELENGTH	850nm
WIDE DYNAMIC RANGE	120 dB
VIDEO & AUDIO	
VIDEO COMPRESSION	Ultra 265, H.265, H.264, MJPEG
RESOLUTION & FRAME RATE	Main Stream:5MP (2880*1620), Max 30fps; 4MP (2560*1440), Max 30fps; 3MP (2304*1296), Max 30fps; 1080P (1920*1080), Max 30fps; Sub Stream: 720P (1280*720), Max 30fps; D1 (720*576), Max 30fps; 640*360,Max 30fps; 2CIF(704*288), Max 30fps; CIF(352*288), Max 30fps; Third Stream: D1 (720*576), Max 30fps; 640*360,Max 30fps; 2CIF(704*288), Max 30fps; CIF(352*288), Max 30fps;
IMAGE ROTATION	Supported
WHITE BALANCE	Auto/Outdoor/Fine Tune/Sodium Lamp/Locked/Auto2
AUDIO COMPRESSION	G.711
AUDIO SAMPLING RATE	8KHZ
VIDEO INTELLIGENCE	Line crossing detection, Intrusion detection, enter area detection, exit area detection, and face capture

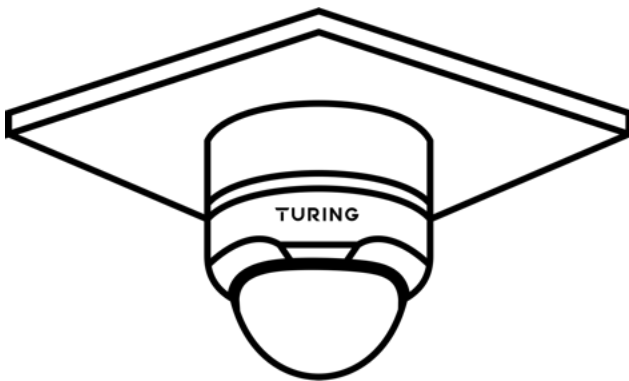
INTERFACES	
LOCAL STORAGE	microSD, up to 256GB
AUDIO I/O	Input: impedance 35kΩ; amplitude 2V [p-p] Output: impedance 600Ω; amplitude 2V [p-p]
ALARM I/O	1 /1
NETWORK INTERFACE	1 RJ45 10M/100M Base-TX Ethernet
NETWORK PROTOCOLS	IPv4, IGMP, ICMP, ARP, TCP, UDP, DHCP, RTP, RTSP, RTCP, DNS, DDNS, NTP, FTP, UPnP, HTTP, HTTPS, SMTP, SSL, SNMP
3RD-PARTY COMPATIBILITY	ONVIF (Profile S, Profile G, Profile T), API
SUPPORTED BROWSER	Plug-in required live view: IE9+, Chrome 41 and below, Firefox 52 and below. Plug-in free live view: Chrome 57.0+, Firefox 58.0+, Edge 16+, Safari 11+
CERTIFICATIONS	
CERTIFICATIONS	CE: EN 60950-1 UL: UL60950-1 FCC: FCC Part 15
GENERAL	
POWER REQUIREMENT	DC 12V±25%, PoE (IEEE 802.3af)
POWER CONSUMPTION	Max 7.0 W
DIMENSIONS	Φ148.0 x 111.4mm (Φ 5.8" x 4.4")
NET WEIGHT	0.97kg (2.12lb)
MATERIAL	Metal +Plastic
WORKING ENVIRONMENT	-30°C ~ 60°C (-22°F ~ 140°F), Humidity: ≤95% RH (non-condensing)
WATER PROTECTION	IP67
VANDAL PROTECTION	IK10
COMPATIBLE NVRs	
Turing Smart NVR series, including TR-MRP042T, TR-MRP082T, TR-MRP164T, and TR-MRP328T	



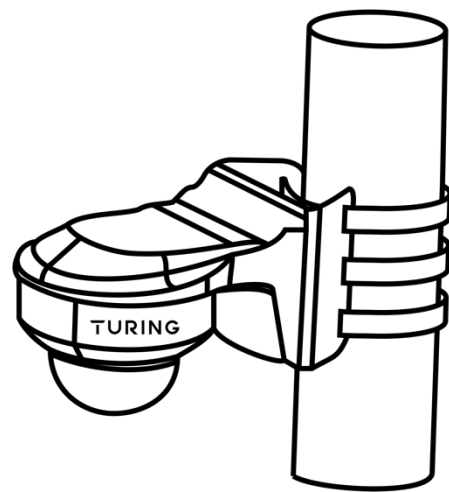
DIMENSIONS



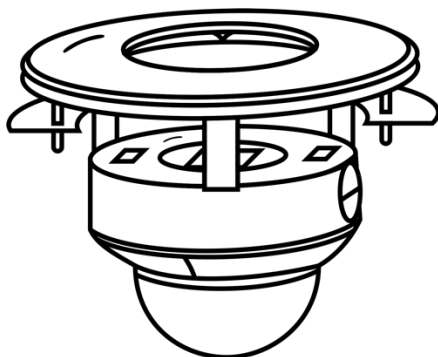
MOUNTING



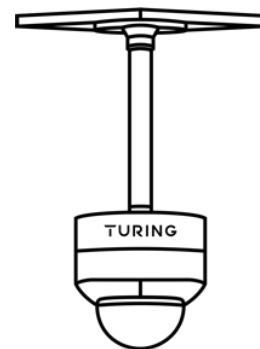
Junction Box: TP-MDJB



Pole Mount: TP-UDPM
Wall Mount: TP-MDWM



In-ceiling mount: TP-MDRM



Pole Mount: TP-AIPMB
Junction Box: TP-MDJB

