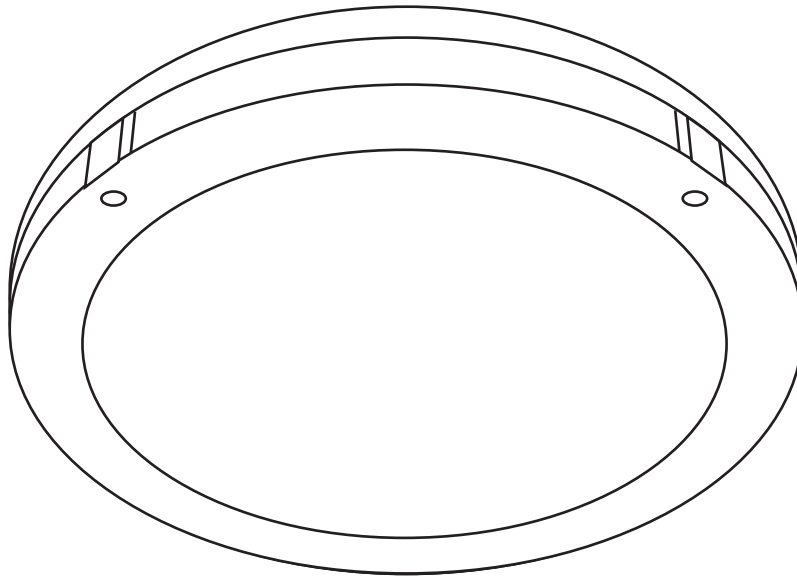


# USE AND CARE GUIDE

---

## CEILING MOUNT CANOPY LIGHT



**READ BEFORE INSTALLATION**  
**SAVE THESE INSTRUCTIONS**

Questions, problems, missing parts? Before returning to the store,  
call Feit Electric Customer Service  
8 a.m. - 5 p.m., PST, Monday - Friday

1-866-326-BULB (2852)  
FEIT.COM

---

**THANK YOU**

*We appreciate the trust and confidence you have placed in Feit Electric through the purchase of this LED yard light fixture. We strive to continually create quality products designed to enhance your home. Visit us online to see our full line of products available for your home improvement needs. Thank you for choosing Feit Electric!*

# Table of Contents

- Table of Contents ..... 2
- Safety Information ..... 2
- Care and Maintenance ..... 2
- Warranty ..... 2
- Pre-Installation ..... 3
  - Tools Required ..... 3
  - Hardware Included ..... 3
- Installation ..... 4

# Safety Information

## For your safety, always remember to:

- Turn off the power supply at the fuse or circuit breaker box before you install the fixture.
- Ground the fixture to avoid potential electric shock and to ensure reliable starting.
- Double-check all connections to be sure they are tight and correct.
- Wear rubber soled shoes and work on a sturdy wooden ladder.
- Account for small parts and destroy packing material, as these may be hazardous to children.

This fixture is designed for use in a circuit protected by a fuse or circuit breaker. It is also designed to be installed in accordance with local electrical codes. If you are unsure about your wiring, consult a qualified electrician or local electrical inspector, and check your local electrical code.


Account for small parts and destroy packing material, as these may be hazardous to children.


**NOTICE:** All electrical connections must be in accordance with local and National Electrical Code (N.E.C.) standards. If you are unfamiliar with proper electrical wiring connections obtain the services of a qualified electrician.


Remove the fixture and the mounting package from the box and make sure that no parts are missing by referencing the illustrations on the installation instructions.


**Product Specifications:**

- 120/277 VAC, 50/60Hz, 32W max
- Not for use with dimmers

 **WARNING: RISK OF SHOCK.** House electric current can cause painful shock or serious injury unless handled properly.

 **CAUTION:** Turn off the main power at the circuit breaker before installing the fixture, in order to prevent possible shock.

 **WARNING:** Changes or modifications to this unit not expressly approved by the party responsible for compliance could void the user's authority to operate the equipment.

 **WARNING: RISK OF CUTS.** Some metal parts in the fixture may have sharp edges. To prevent cuts and scrapes, wear gloves when handling the parts.

**Supplier's Declaration of Conformity:**  
47 CFR § 2.1077 Compliance Information

**Responsible Party:**  
Feit Electric Company  
4901 Gregg Road,  
Pico Rivera, CA 90660, USA  
562-463-2852

**Unique Identifier:**  
S13CM/840/BZ

**FCC STATEMENT:** This device complies with part 15 of the FCC Rules. Operation is subject to the following two conditions: (1) This device may not cause harmful interference, and (2) this device must accept any interference received, including interference that may cause undesired operation. Note: This equipment has been tested and found to comply with the limits for a Class B digital device, pursuant to part 15 of the FCC Rules. These limits are designed to provide reasonable protection against harmful interference in a residential installation. This equipment generates, uses and can radiate radio frequency energy and, if not installed and used in accordance with the instructions, may cause harmful interference to radio communications. However, there is no guarantee that interference will not occur in a particular installation. If this equipment does cause harmful interference to radio or television reception, which can be determined by turning the equipment off and on, the user is encouraged to try to correct the interference by one or more of the following measures: Reorient or relocate the receiving antenna. Increase the separation between the equipment and receiver. Connect the equipment into an outlet on a circuit different from that to which the receiver is connected. Consult the dealer or an experienced radio/TV technician for help. Any changes or modifications not expressly approved by the manufacturer could void the user's authority to operate the equipment.

# Care and Maintenance

Periodically clean the fixture and diffuser using a mild, non-abrasive cleaner and soft cloth. When cleaning the fixture, make sure the power is turned off. Do not spray cleaner directly onto any part of the fixture or LEDs.


# Limited Warranty

This product is warranted to be free from defects in workmanship and materials for up to 5 years from date of purchase. If the product fails within the warranty period, please contact Feit Electric at [info@feit.com](mailto:info@feit.com), visit [feit.com/contact-us](http://feit.com/contact-us) or call 1-866-326-BULB (2852) for instructions on replacement or refund. REPLACEMENT OR REFUND IS YOUR SOLE REMEDY. EXCEPT TO THE EXTENT PROHIBITED BY APPLICABLE LAW, ANY IMPLIED WARRANTIES ARE LIMITED IN DURATION TO THE DURATION OF THIS WARRANTY. LIABILITY FOR INCIDENTAL OR CONSEQUENTIAL DAMAGES IS HEREBY EXPRESSLY EXCLUDED. Some states and provinces do not allow the exclusion of incidental or consequential damages, so the above limitation or exclusion may not apply to you. This warranty gives you specific legal rights, and you may also have other rights which vary from state to state or province to province.

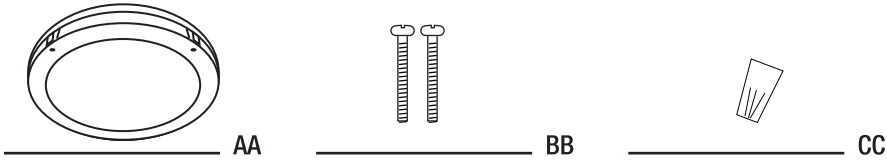
# Pre-Installation

## TOOLS REQUIRED



 **NOTE:** Hardware not shown to actual size.

## PACKAGE CONTENTS



Part	Description	Quantity
AA	Ceiling Mount Canopy Light	1
BB	J-Box Mounting Screws	2
CC	Wire Nuts	2

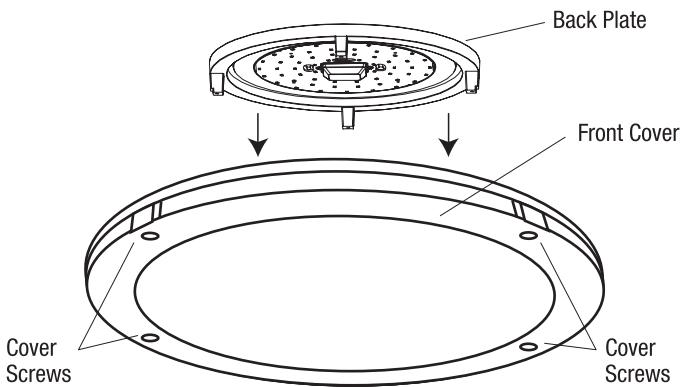
# Ceiling Mount Installation

## 1 Turning Off the Power

Turn the power OFF at the switch and fusebox or the circuit breaker.

## 2 Remove Round Back Plate

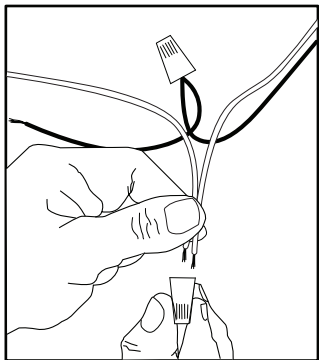
Unscrew the 4 front cover screws and remove the round back plate



## 3 Connecting the Power Supply Wires

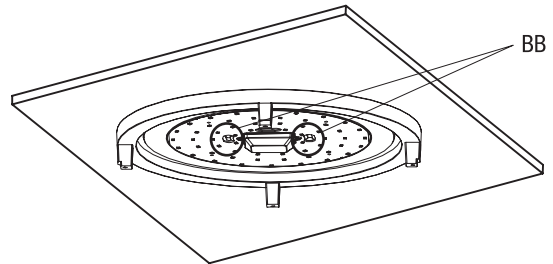
Using the wire nuts (provided), connect the J-Box supply wires to the fixture's wires:

Line to Black  
Neutral to White



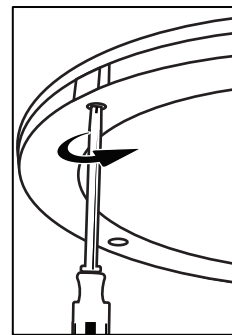
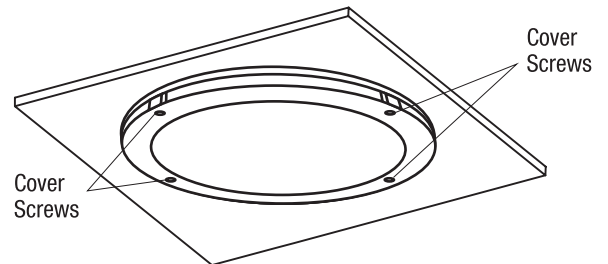
## 4 Attach Back Plate to Ceiling

Attach the round back plate to the ceiling by using the included two J-box Mounting Screws (BB)



## 5 Attach Front Cover to Back Plate

Position the front cover to the back plate and reinstall the 4 front cover screws.



## 6 Turning the Power On

Turn the power ON at the wall switch, fusebox or the circuit breaker.