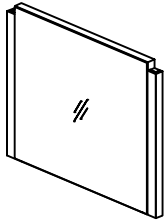


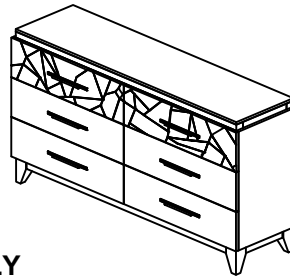
BRODERICK DRESSER MIRROR ASSEMBLY INSTRUCTIONS



BOX DRESSER MIRROR



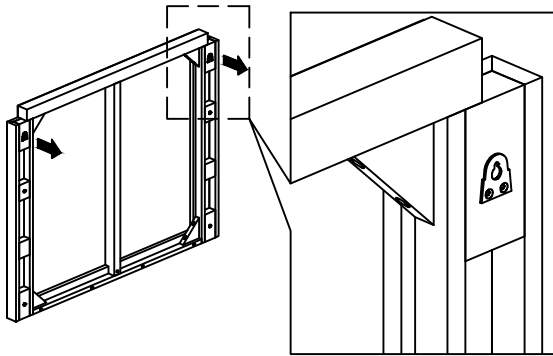
BOX DRESSER*



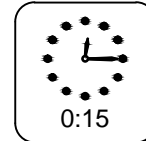
*SOLD SEPARATELY

OPTION 1 WALL MOUNTING

HARDWARE PACKED IN DRESSER



1	ALLEN BOLT (6X40mm)		8 PCS
2	SPRING WASHER (M6)		8 PCS
3	FLAT WASHER (M6)		8 PCS
4	ALLEN KEY (L4)		1 PC



OPTION 2 DRESSER MOUNTING

STEP 1 :

STEP 2 :

