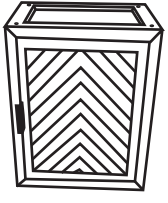
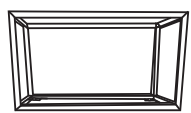

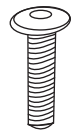
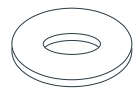
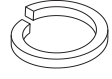
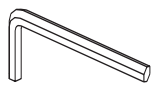
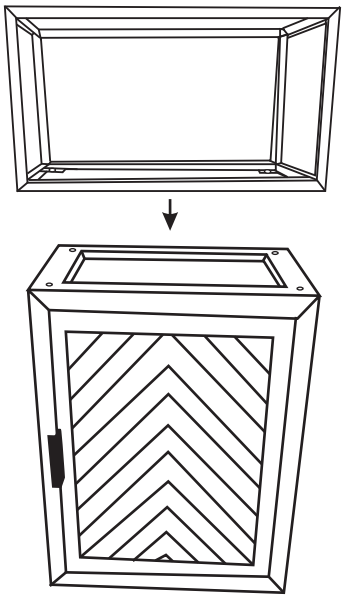


Assembly Instructions

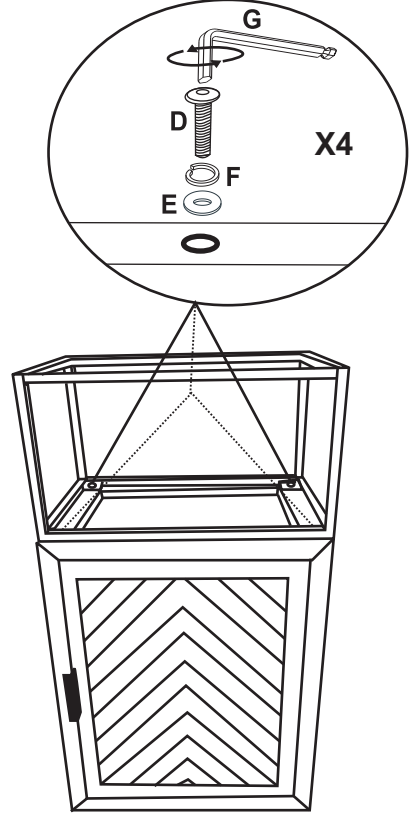
<p>(A)</p>  <p>Cabinet-1 piece</p>	<p>(B)</p>  <p>Iron Stand-1 piece</p>	<p>(C)</p>  <p>Shelf-1 piece</p>	<p>(D)</p>  <p>Bolt-4 pieces</p>	<p>(E)</p>  <p>Washer-4 pieces</p>	<p>(F)</p>  <p>Lock Washer-4 pieces</p>	<p>(G)</p>  <p>Allen Key-1 piece</p>
---	--	---	---	---	--	---

B

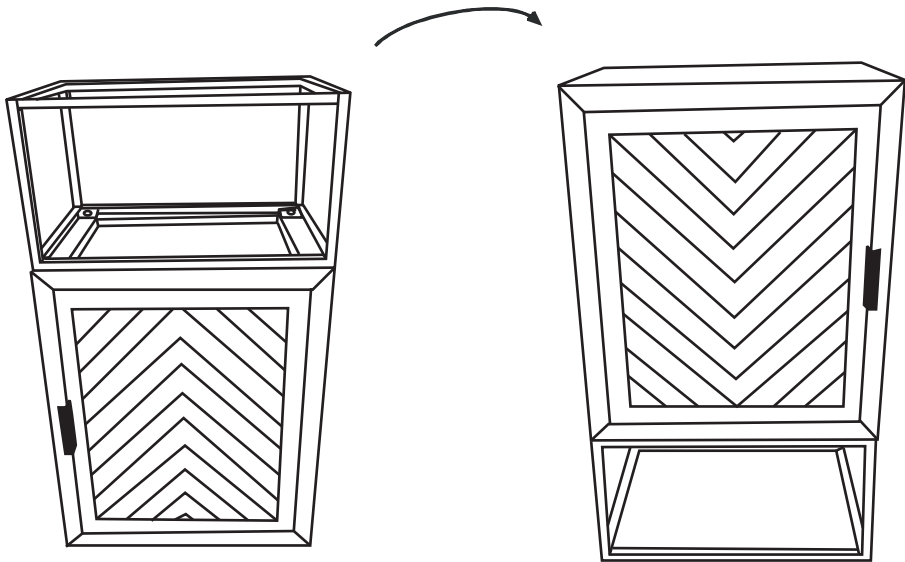


A

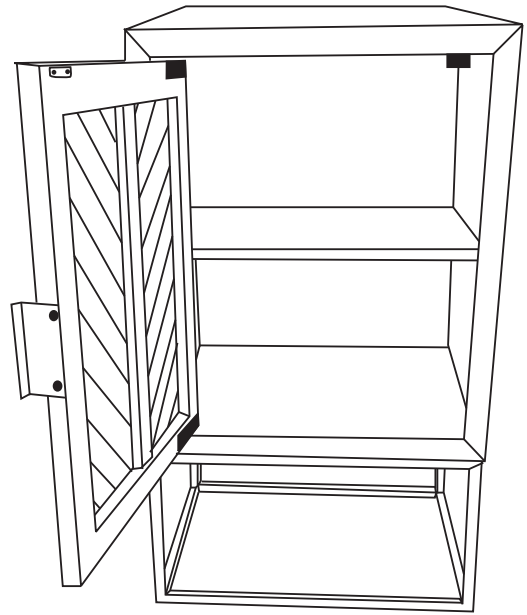
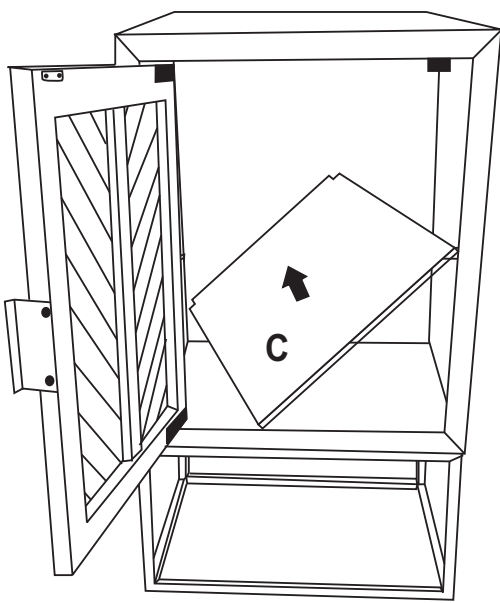
Step-1: Place the Top over in up-side down direction on protective surface as shown in image.



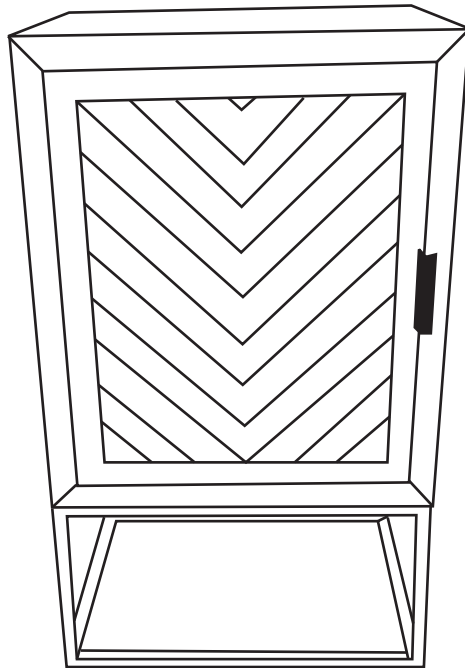
Step-2: Put the Iron Frame over underside of the Top and secure it with the help of Allen key partially as shown in image. Once all the corners are aligned, fully tighten the screws.



Step-3: Turn the Table



Step-4: Tilt the shelf and insert it in the Side Table as shown in image.



Ready to Use