



Project: \_\_\_\_\_

Fixture Type: \_\_\_\_\_

Location: \_\_\_\_\_

Contact/Phone: \_\_\_\_\_

# TRAC 12

Miniature Low Voltage Trac System

## LED MODULE

### 12-VOLT AC

### TL214LED



Buy American

#### PRODUCT DESCRIPTION

Miniature LED module approximates the lumen output and light distribution of 5W-10W xenon lamps, utilizing approximately 1/8 of the energy and having a rated life of 50,000 hours. Available in 2700K, 3000K, 3500K and 4000K color temperatures, the white-light TL214LED Series is compatible with standard Trac 12 and Trac 12/25 trac, operating with 12V AC power. The modules can be placed anywhere along the Trac, and the trac can be cut-to-length during installation, making Trac 12 LED Modules the most flexible linear lighting choice.

#### PRODUCT SPECIFICATIONS

**LED** High performance LEDs provide outstanding reliability, performance and color quality/consistency • 2700K, 3000K, 3500K or 4000K white phosphor low power LED designed to operate using 12-volt AC input • High 90 CRI minimum • Chromaticity range within 3-step MacAdam ellipses

**Housing** High temperature polycarbonate • Color-neutral, natural finish • Lightly diffused lens to optimize light dispersion.

**Electrical Contacts** Tempered phosphor bronze.

**Transformers/Drivers** Compatible with all Juno 12VAC transformers and Trac 12 Monopoints designated as LED-compatible – refer to transformer specification sheets for details.

**Dimming** May be dimmed with dimmers tested and qualified by Juno for use with the non-resistive TL214LED Series load – see transformer/driver specifications for compatible dimmers • Color temperature remains constant over dimming range • Consult factory for additional dimming information.

**Buy American** This product is assembled in the USA and meets the Buy America(n) government procurement requirements under FARS, DFARS and DOT. Please refer to [www.acuitybrands.com/buy-american](http://www.acuitybrands.com/buy-american) for additional information.

**Warranty** 5-year limited warranty. This is the only warranty provided and no other statements in this specification sheet create any warranty of any kind. All other express and implied warranties are disclaimed. Complete warranty terms located at:

[www.acuitybrands.com/CustomerResources/Terms\\_and\\_conditions.aspx](http://www.acuitybrands.com/CustomerResources/Terms_and_conditions.aspx)

• Continuously operating the TL214LED above 12VAC will void the warranty.

**Labels** UL/cUL Listed • Union made • Assembled in U.S.A.

Specifications subject to change without notice.

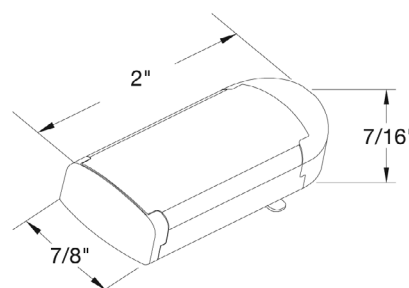
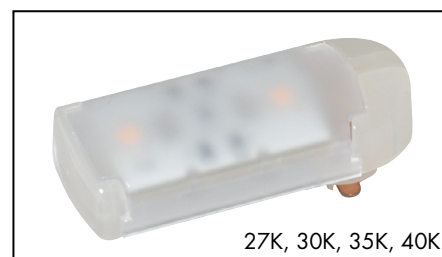
#### PRODUCT CODES / PERFORMANCE DATA<sup>1</sup>

Catalog Number	Input Voltage	Watts (Nominal)	Color Temperature	Lumens	Efficacy (LPW)	Rated Life (Hours)
TL214LED 27K 90CRI	12.0V	1.5W	2700K	76	51	50,000
TL214LED 30K 90CRI	12.0V	1.5W	3000K	78	52	50,000
TL214LED 35K 90CRI	12.0V	1.5W	3500K	79	52	50,000
TL214LED 40K 90CRI	12.0V	1.5W	4000K	80	53	50,000

<sup>1</sup>Performance data, including Rated Life, is based on measurements of an individual module operating in a 25°C ambient. In practice, multiple modules used in a system will average slightly lower power consumption due to voltage drop within the system.

Note: For operation at 11.5 volts multiply Lumens by 0.94.

#### DIMENSIONS



# TRAC 12

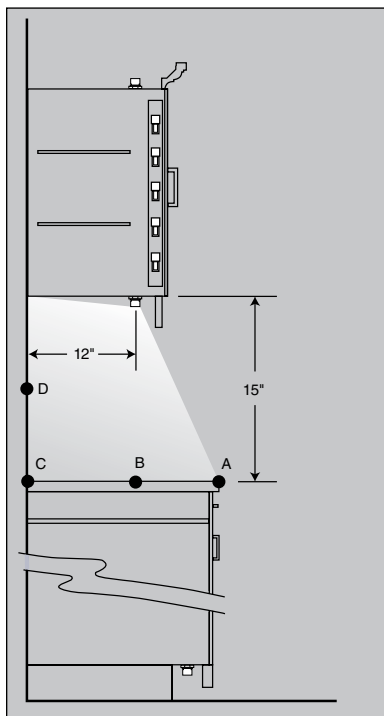
## Miniature Low Voltage Trac System

### LED MODULE

### 12-VOLT AC

### TL214LED

#### Cabinetry Lighting Guidelines



**Over Cabinets** Trac 12, using modules spaced 6" on-center, generally provides excellent indirect lighting. For lower-level mood lighting, closer module spacing and dimming is recommended. Placing the fixture at the front edge of the cabinet top will project light into the space and illuminate any displayed objects. Locate top of module even with top edge of cove molding to prevent a harsh shadow line.

**Inside Cabinets** Running Trac 12 vertically on the front inside of cabinets avoids the need to put trac on each shelf. Placing modules 4" - 6" on-center generally provide adequate lighting inside a cabinet.

**Under Cabinets** Placing Juno Trac 12 at the front lip of the cabinet conceals the fixture from view, minimizes veiling reflections, and provides maximum light on the working area of the countertop.

Footcandles on Horizontal Work Surface*						
Catalog Number	Color Temp	O.C Spacing	Footcandles			
			A	B	C	D
<b>TL214LED 27K 90CRI</b>	2700K	3"	49	127	73	63
<b>TL214LED 30K 90CRI</b>	3000K	3"	50	134	78	63
<b>TL214LED 35K 90CRI</b>	3500K	3"	53	139	82	66
<b>TL214LED 40K 90CRI</b>	4000K	3"	55	147	86	69
<b>TL214LED 27K 90CRI</b>	2700K	4"	37	95	55	47
<b>TL214LED 30K 90CRI</b>	3000K	4"	38	100	58	47
<b>TL214LED 35K 90CRI</b>	3500K	4"	40	105	62	50
<b>TL214LED 40K 90CRI</b>	4000K	4"	42	111	65	52

\*Data shown is for operation at 12-volts. For operation at 11.5-volts, multiply by 0.94.

**Kick Spaces** Modules spaced 4" on-center generally provides adequate kick space lighting. Wider spacings can be used when the distance from the trac to the floor is greater than 4" or when even illumination is not required.

Note: Shiny flooring or countertops may cause lamp image reflections.

# TRAC 12

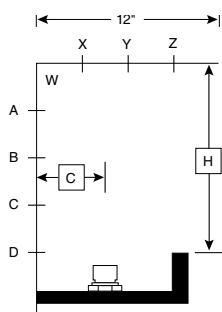
Miniature Low Voltage Trac System

## LED MODULE

### 12-VOLT AC

### TL214LED

### Cove Lighting



### Footcandles on Vertical and Horizontal Planes\*

Lamp Spacing	O.C. Lamp Spacing	Cove Height	Footcandles on Vert. Plane (Wall)				Footcandles on Horiz. Plane (Ceiling)			
			A	B	C	D	W	X	Y	Z
<b>TL214LED 30K 90CRI, TL214LED 35K 90CRI<sup>1</sup></b>										
4"	4"	6"	200	204	181	143	248	337	288	171
4"	4"	9"	128	150	156	107	196	225	204	148
4"	4"	12"	87	110	145	92	153	168	156	125
5"	5"	6"	148	143	124	105	167	245	255	160
5"	5"	9"	103	113	107	75	141	171	169	129
5"	5"	12"	72	88	99	63	114	129	125	105

<sup>1</sup> For 2700K fixtures, use 0.97 multiplier; for 4000K fixtures, use 1.02 multiplier.

### Placement Guidelines

- For uniform illumination o.c. lamp spacing must be equal to or less than lamp spacing from wall "C"

### LUMENS PER FOOT\*

Catalog Number	Lamp Spacing			
	2"	3"	4"	6"
<b>TL214LED 27K 90CRI</b>	456	304	228	152
<b>TL214LED 30K 90CRI</b>	470	313	235	157
<b>TL214LED 35K 90CRI</b>	472	315	236	157
<b>TL214LED 40K 90CRI</b>	478	319	239	159

\*Data shown is for operation at 12-volts. For operation at 11.5-volts, multiply by 0.94.

### MAXIMUM TRAC RUN LENGTH\*\*

Catalog Number	Transformer	Lamp Spacing			
		2"	3"	4"	6"
<b>TL214LED 27K 90CRI</b>	Electronic	9	12	13	16
<b>TL214LED 30K 90CRI</b>	Magnetic	24	30	32	42
<b>TL214LED 35K 90CRI</b>					
<b>TL214LED 40K 90CRI</b>					

\*\*Based on 20% maximum light output decrease between first and last fixture on trac due to voltage drop; to utilize full capacity of trac and transformers, individual transformer circuits may have to feed multiple runs using separate feed points.