

# Kräus<sup>®</sup>

www.kraususa.com

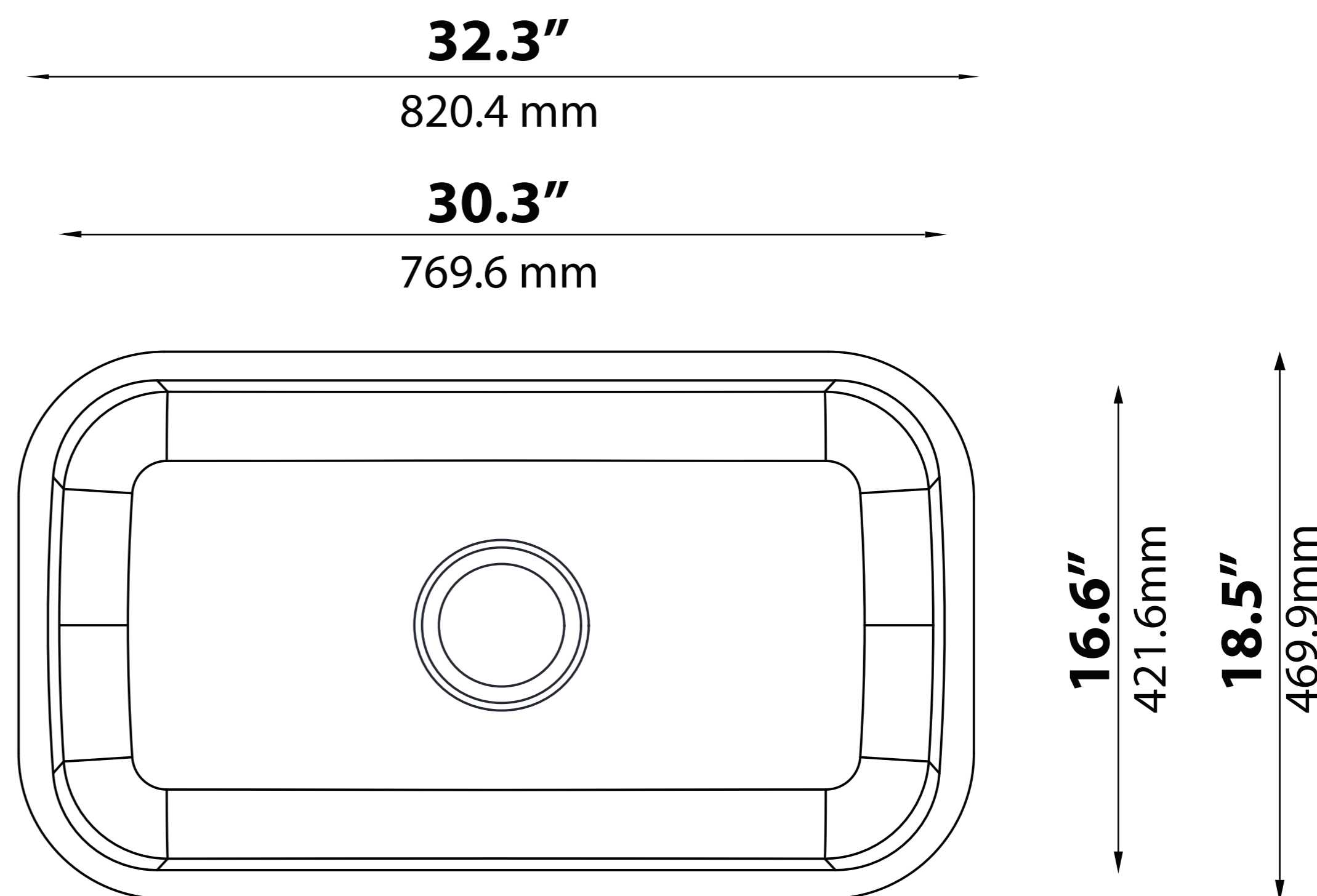
**Model No.  
KBU44**

**Undermount Cut-out**

Pro Hotline: 516.801.8955

Customer Service: 800.775.0703

**NOTES:** Cutout template is provided as a guide **ONLY** and must be checked against actual sink to verify correct fit.



Please use outer edge for Positive reveal 3/8"

Please tear perforated edge for zero / flushed reveal

Please cut along inner solid line for Negative reveal 1/8"

RP:KP580033

