

Assembly Guide

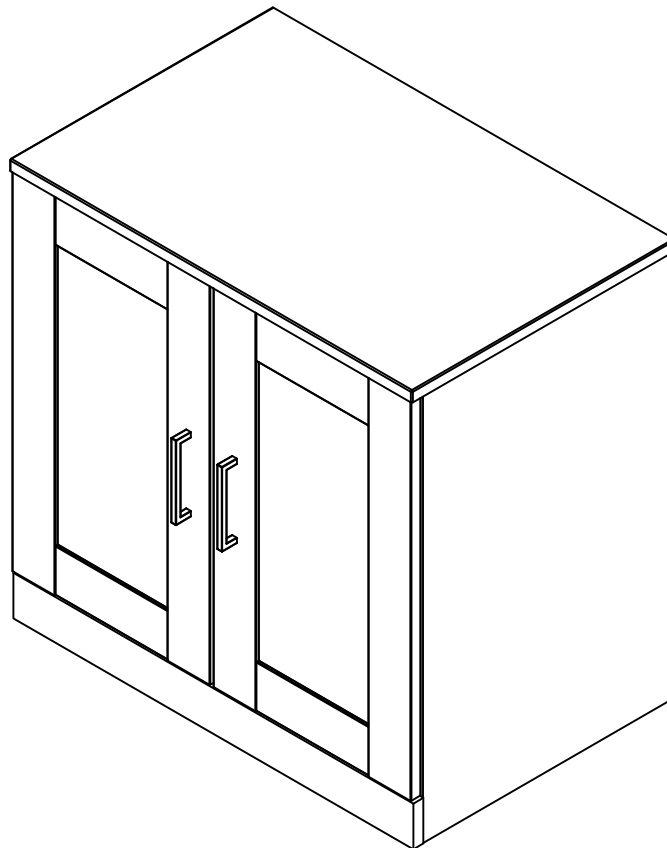


If you're having any difficulty during assembly of this product, don't hesitate to call us at **1-800-950-4782.**

Our customer service experts are trained to provide step-by-step instruction and can easily replace any missing or damaged parts.

Representatives are available Monday-Friday from 8:30 a.m. to 7:30 p.m. (ET)

30W 2 Door Storage Cabinet



Lot Code #

Instruction Sheet Number A215749A

Keep manual for future reference.

For best results, keep these tips in mind:

- ① We know you want to finish this assembly as quickly as possible, but trust us: you'll have a better experience if you take it one step at a time.
- ② Give yourself some room to work near where you want the fully assembled product.
- ③ If your floor isn't carpeted, assemble this product on the empty carton to avoid scratching.
- ④ Do you have a friend who owes you a favor? Some steps may go a little easier with a second set of hands.

DOs

- ✔ Use a #2 Phillips head screwdriver (or other handheld tools as indicated)
- ✔ Wear safety glasses at all times during assembly
- ✔ Carefully follow the instructions in this guide and complete all steps in order
- ✔ Give us a call if you're having trouble with a particularly tricky step

DON'Ts

- ✘ We know power tools are quick and easy, but you shouldn't use them when assembling this product (unless otherwise specified)
- ✘ Never move your furniture with items inside or resting on the surface
- ✘ Do not attempt to use this product before all steps have been completed

Watch assembly videos right on your phone or computer!



Some steps include QR codes that link to helpful videos. Watch out for the icon below! Simply open up your smartphone camera to scan the code.

(Users of older smartphones may need to install a QR Reader.)

SCAN HERE



FOR VIDEOS

Or visit <https://bushfurniture.com/help-faq/#assembling>



IMPORTANT SAFETY INFORMATION



PLEASE READ WARNINGS

Improper use can cause safety hazards, or damage to your furniture and household items.

Warning	Do	Don't	Why it's important
Serious injury may occur.	<ul style="list-style-type: none">Assemble following all instructions using all indicated parts and hardware provided.Install every indicated nail and/or screw.Verify furniture is stable on it's own.Place heaviest items in the lower drawers or shelves.Remove items that might tempt kids to climb, such as toys and remote controls from the top and upper shelves of furniture.	<ul style="list-style-type: none">Do not move unit when loaded.Do not load with a television or other heavy equipment.Do not exceed the maximum load limits stated in the instructions.Do not allow children to stand, climb, or hang on furniture.	Improper assembly, use or loading can lead to product instability, tipover, or collapse.

Advertencia	Hacer	No	Por qué es importante
Pueden producirse lesiones graves.	<ul style="list-style-type: none">Realice el montaje siguiendo todas las instrucciones y utilizando todas las piezas indicadas y los herrajes suministrados.Instale todos los clavos y/o tornillos indicados.Compruebe que el mueble sea estable por sí mismo.Coloque los objetos más pesados en los cajones o estantes inferiores.Retire los objetos que puedan tentar a los niños a trepar, como juguetes y mandos a distancia, de los estantes superiores y superiores del mueble.	<ul style="list-style-type: none">No mueva la unidad cuando esté cargada.No cargue el mueble con un televisor u otro equipo pesado.No supere los límites máximos de carga indicados en las instrucciones.No permita que los niños se pongan de pie, trepen o se cuelguen de los muebles.	El montaje, uso o carga inadecuados pueden provocar inestabilidad, vuelco o colapso del producto.

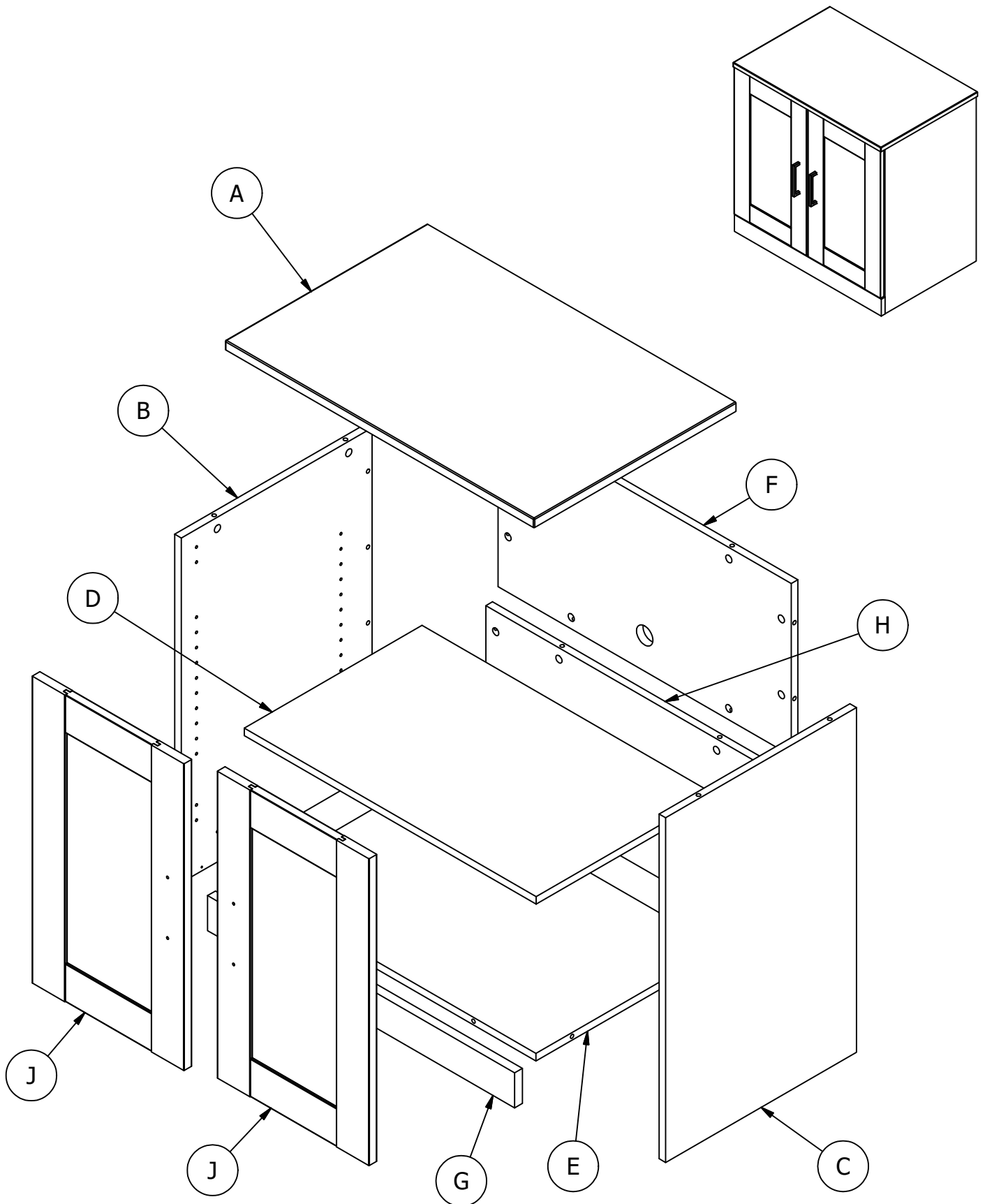
IMPORTANT SAFETY INFORMATION



PLEASE READ WARNINGS

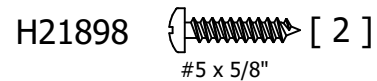
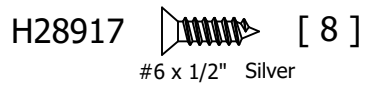
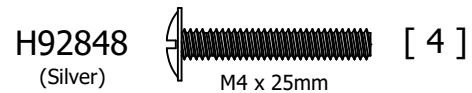
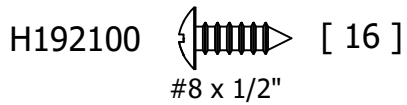
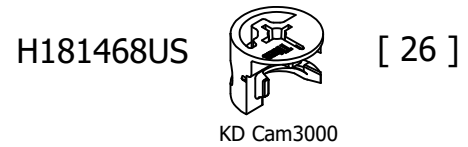
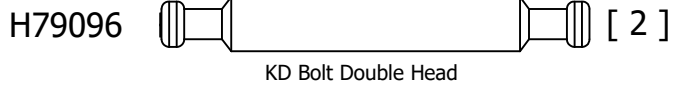
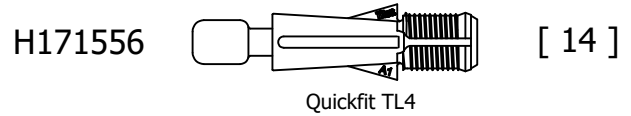
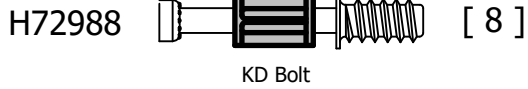
Improper use can cause safety hazards, or damage to your furniture and household items.

Avertissement	À faire	À ne pas faire	Pourquoi c'est important
Peut entraîner des blessures graves.	<ul style="list-style-type: none">• Assembler en suivant toutes les instructions et en utilisant toutes les pièces et la quincaillerie incluses.• Installer tous les clous et/ou toutes les vis.• Assurez-vous que le meuble soit stable par lui-même.• Placer les objets les plus lourds sur les tablettes ou dans les tiroirs du bas.• Retirer les objets qui pourraient inciter les enfants à grimper comme les jouets et les télécommandes des tablettes supérieures et du dessus du meuble.	<ul style="list-style-type: none">• Ne pas déplacer le meuble lorsqu'il est chargé.• Ne pas charger le meuble avec un téléviseur ou tout autre équipement lourd• Ne pas dépasser les limites de poids maximales indiquées dans les instructions.• Ne pas laisser les enfants se tenir sur les meubles, y grimper ou s'y suspendre.	Un assemblage, une utilisation ou un chargement incorrects peuvent entraîner l'instabilité, le basculement ou l'effondrement du produit.



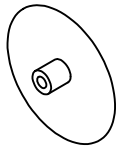
Have an assembly question or need a replacement part? Just call
1-800-950-4782, we are here to help.

Fasteners are shown actual size.



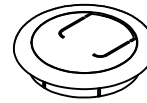
Have an assembly question or need a replacement part? Just call
1-800-950-4782, we are here to help.

Hardware not to scale.



[18]

Cover Cap



[2]

Grommet

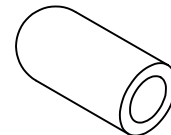
H23604



[4]

Shelf Pin

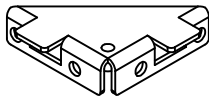
H126396



[4]

Shelf Pin Sleeve

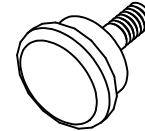
H215449



[4]

Leveler Bracket

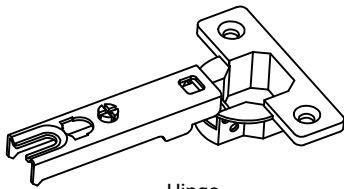
H39696



[4]

Leveler

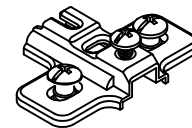
H126359



[4]

Hinge

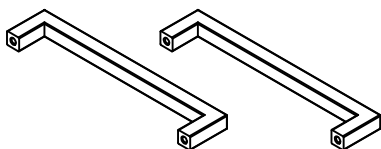
H126758



[4]

Mounting Plate

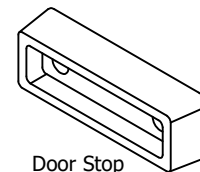
Q215208



[2]

Pull

H180871US



[1]

Door Stop

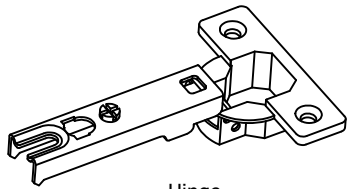
Have an assembly question or need a replacement part? Just call
1-800-950-4782, we are here to help.

STEP 1

Prepare Panels

A215749A

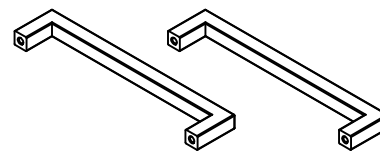
H126359



[4]

Hinge

Q215208



[2]

Pull

H28917

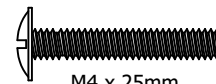


[8]

#6 x 1/2" Silver

H92848

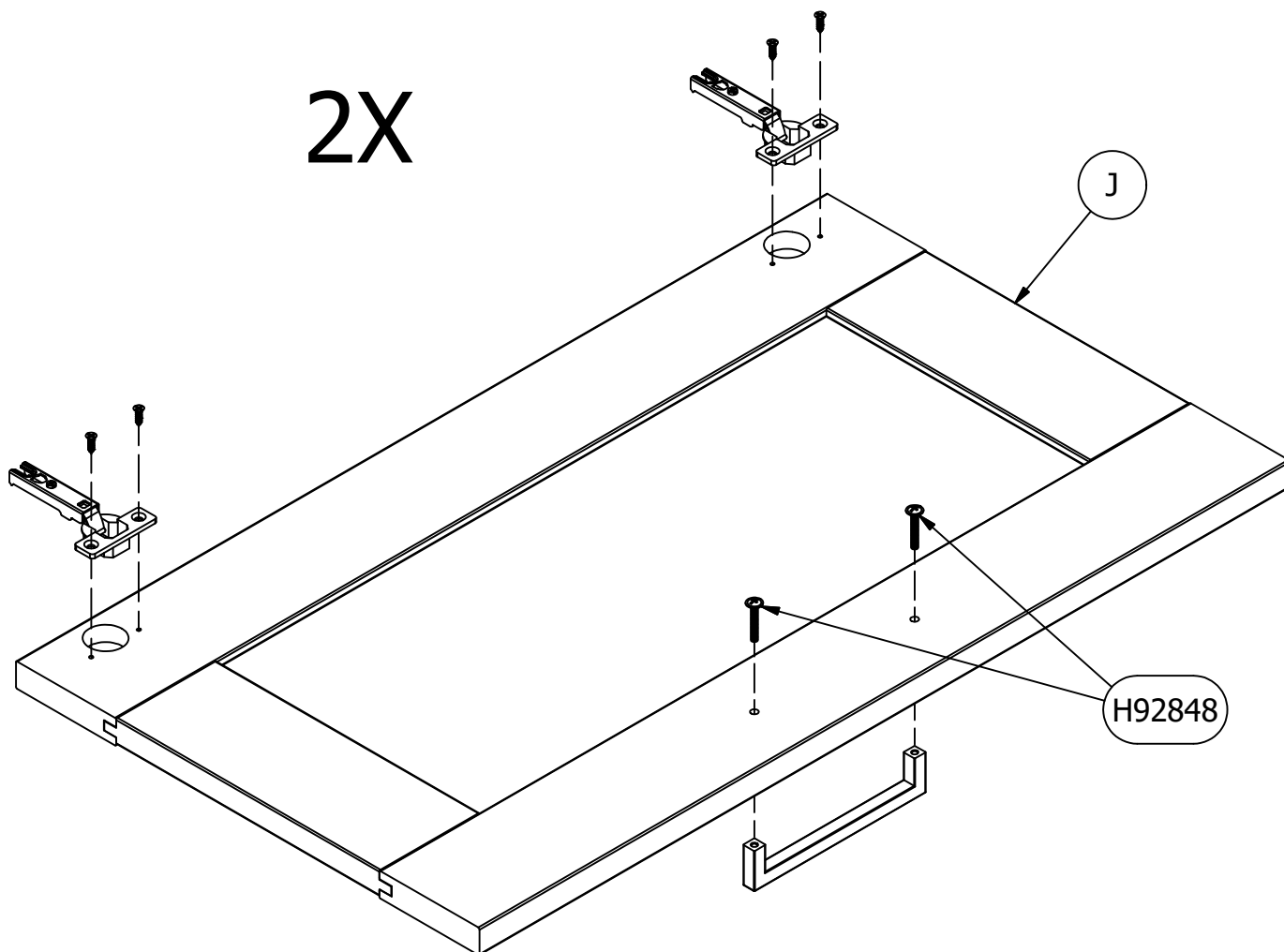
(Silver)



[4]

M4 x 25mm

2X



Have an assembly question or need a replacement part? Just call
1-800-950-4782, we are here to help.

STEP 2

Prepare Panel

A215749A

Scan QR Code to Watch Video on:



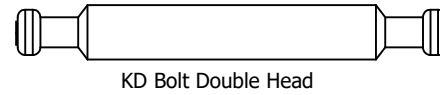
How to Tighten KD Cams

H181468US



[2]

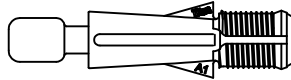
H79096



[2]

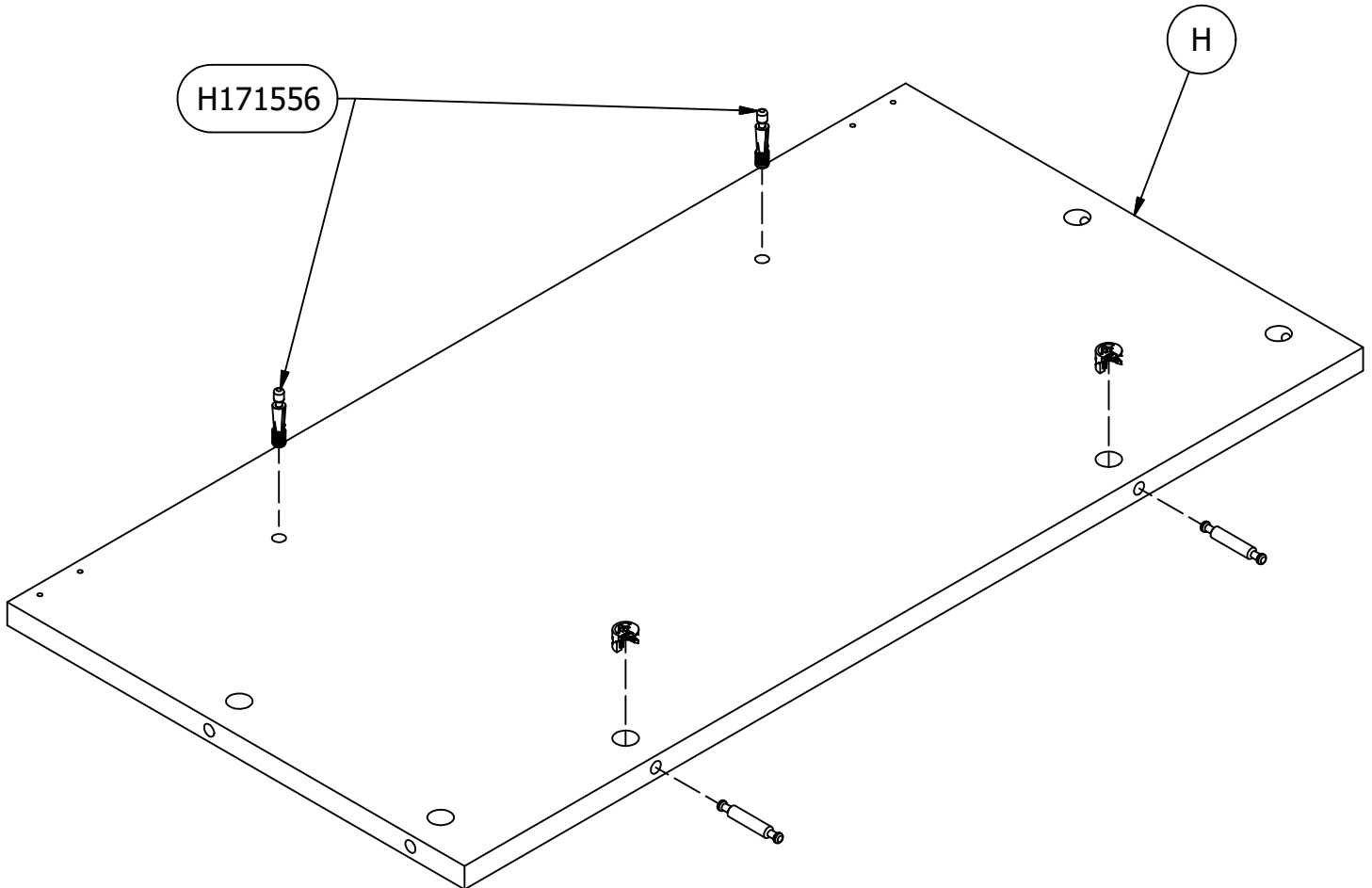
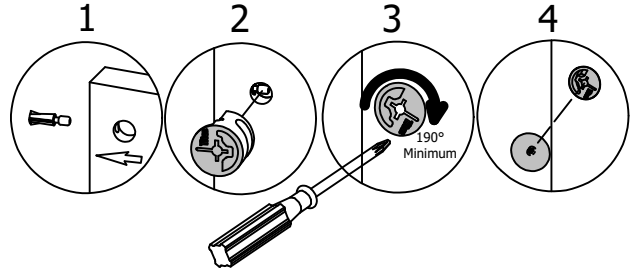
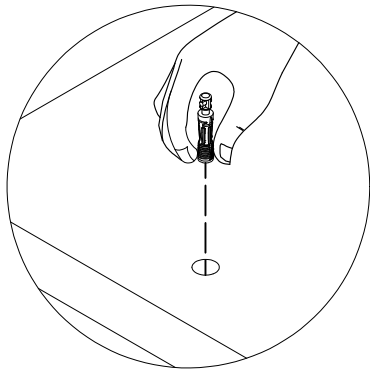
KD Bolt Double Head

H171556



[2]

Quickfit TL4



Have an assembly question or need a replacement part? Just call **1-800-950-4782**, we are here to help.

STEP 3

Assemble Panels

A215749A

Scan QR Code to Watch Video on:



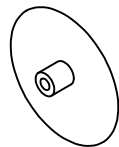
How to Tighten KD Cams

H181468US



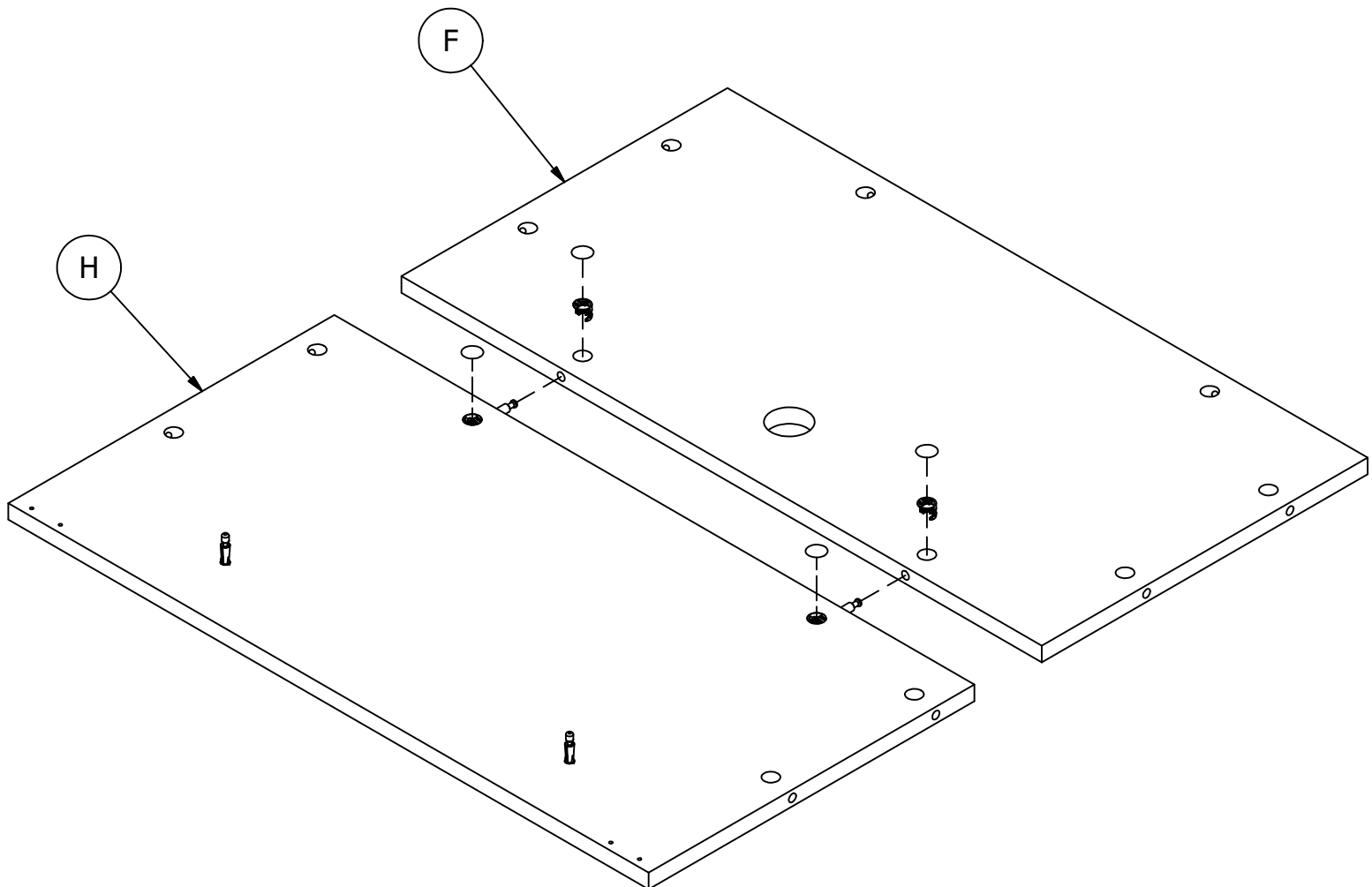
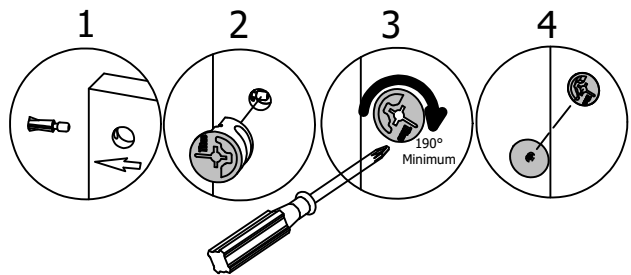
KD Cam3000

[2]



Cover Cap

[4]



Have an assembly question or need a replacement part? Just call **1-800-950-4782**, we are here to help.

STEP 4

Assemble Panels

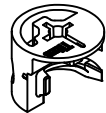
A215749A

Scan QR Code to Watch Video on:



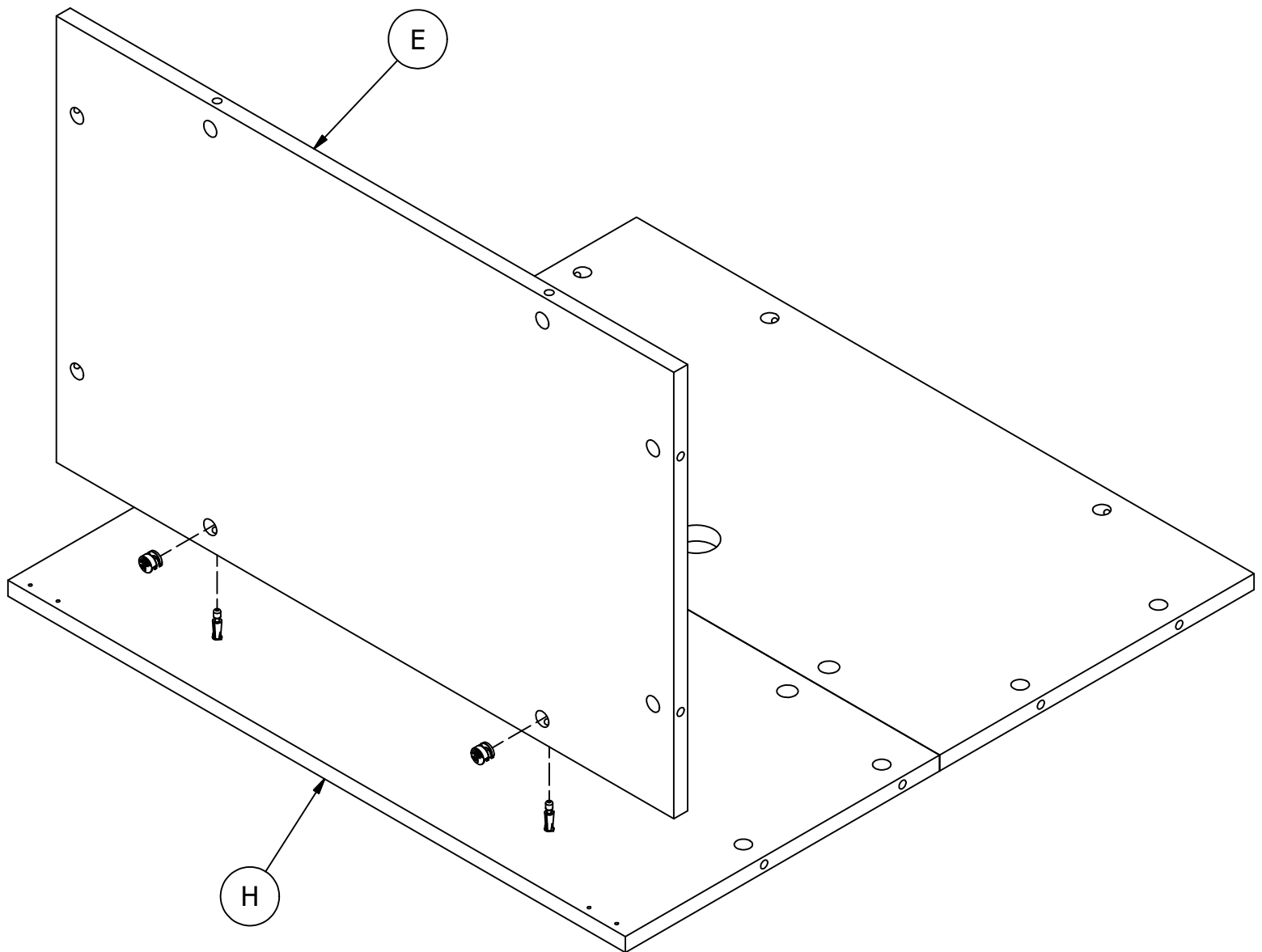
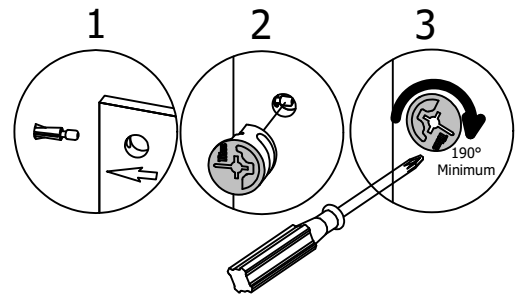
How to Tighten KD Cams

H181468US



KD Cam3000

[2]

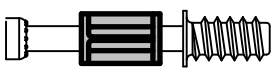


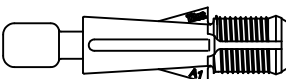
Have an assembly question or need a replacement part? Just call **1-800-950-4782**, we are here to help.

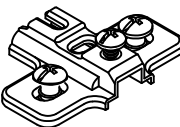
STEP 5

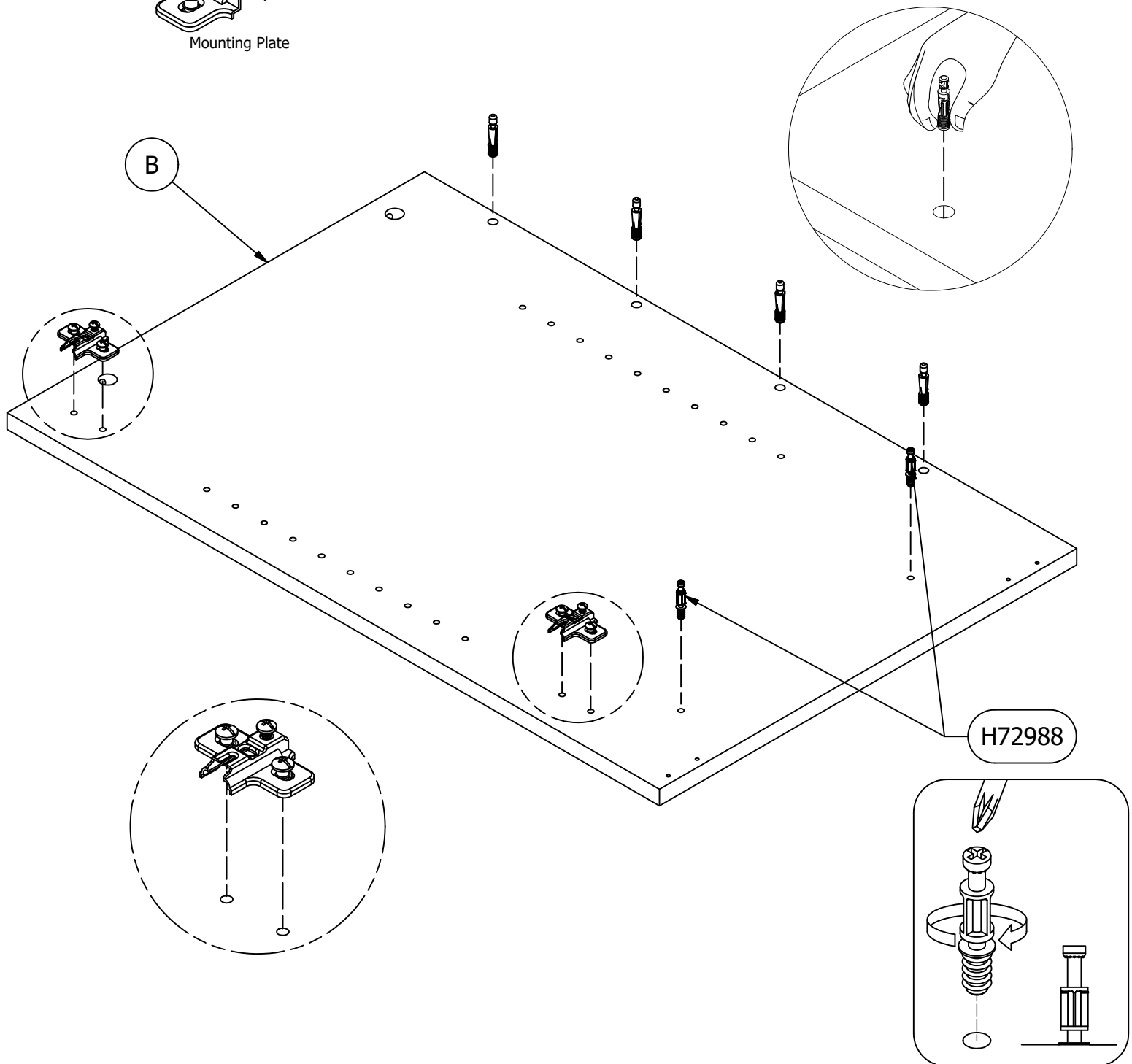
Prepare Panel

A215749A

H72988  [2]
KD Bolt

H171556  [4]
Quickfit TL4

H126758  [2]
Mounting Plate



Have an assembly question or need a replacement part? Just call **1-800-950-4782**, we are here to help.

STEP 6

Assemble Panels

A215749A

Scan QR Code to Watch Video on:



How to Tighten KD Cams



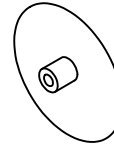
H181468US



[6]

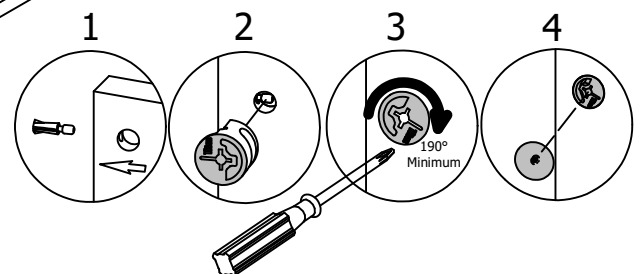
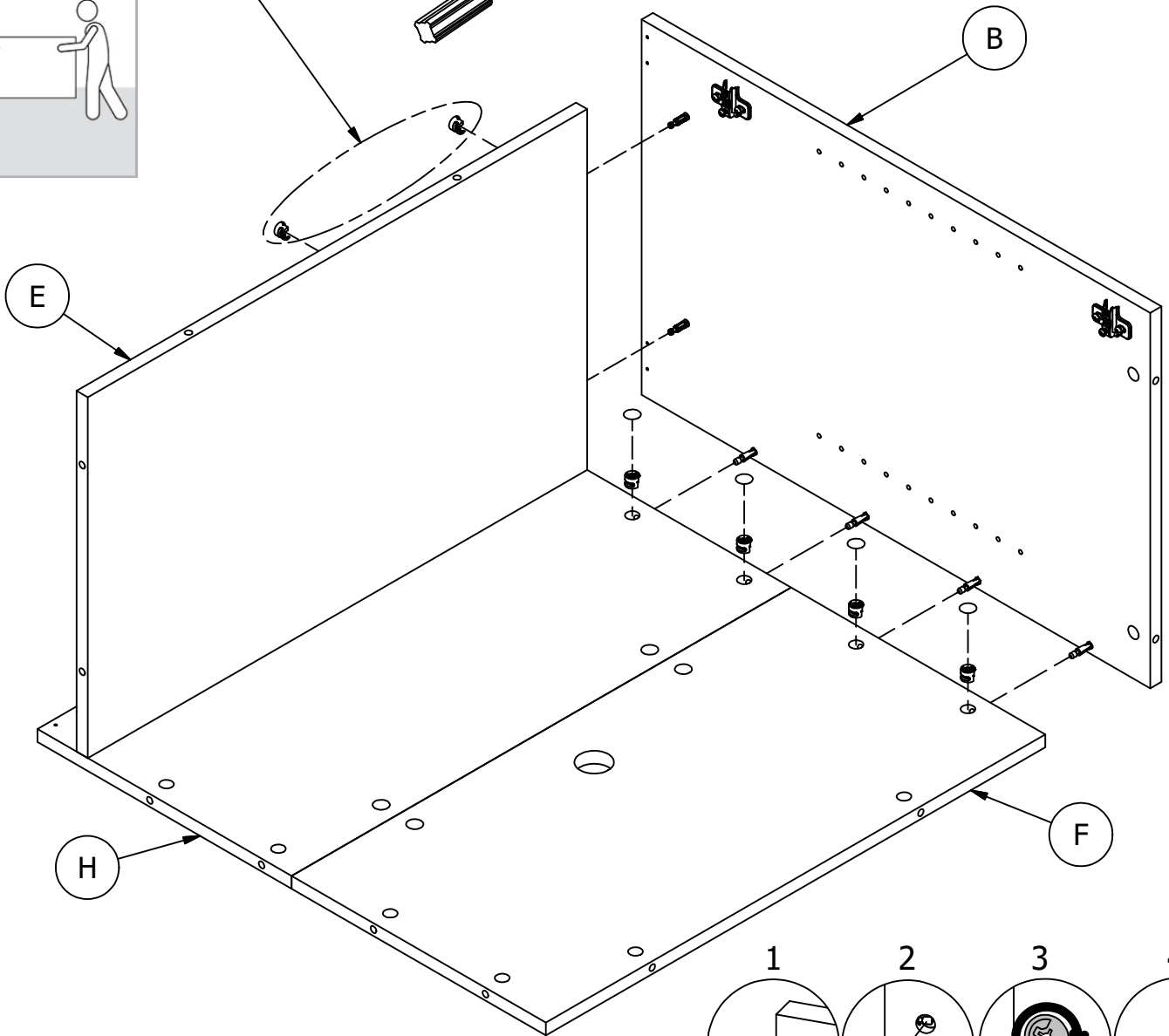
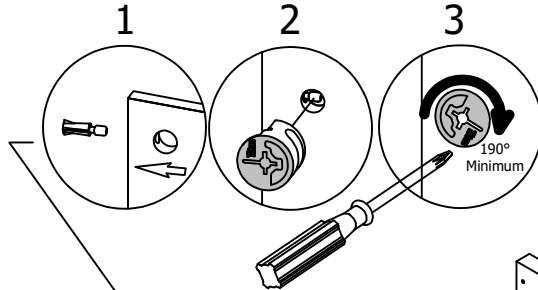
KD Cam3000

H73619



[4]

Cover Cap

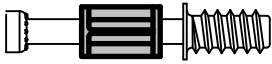


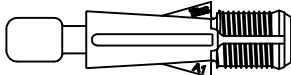
Have an assembly question or need a replacement part? Just call **1-800-950-4782**, we are here to help.

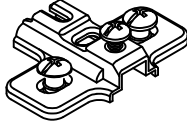
STEP 7

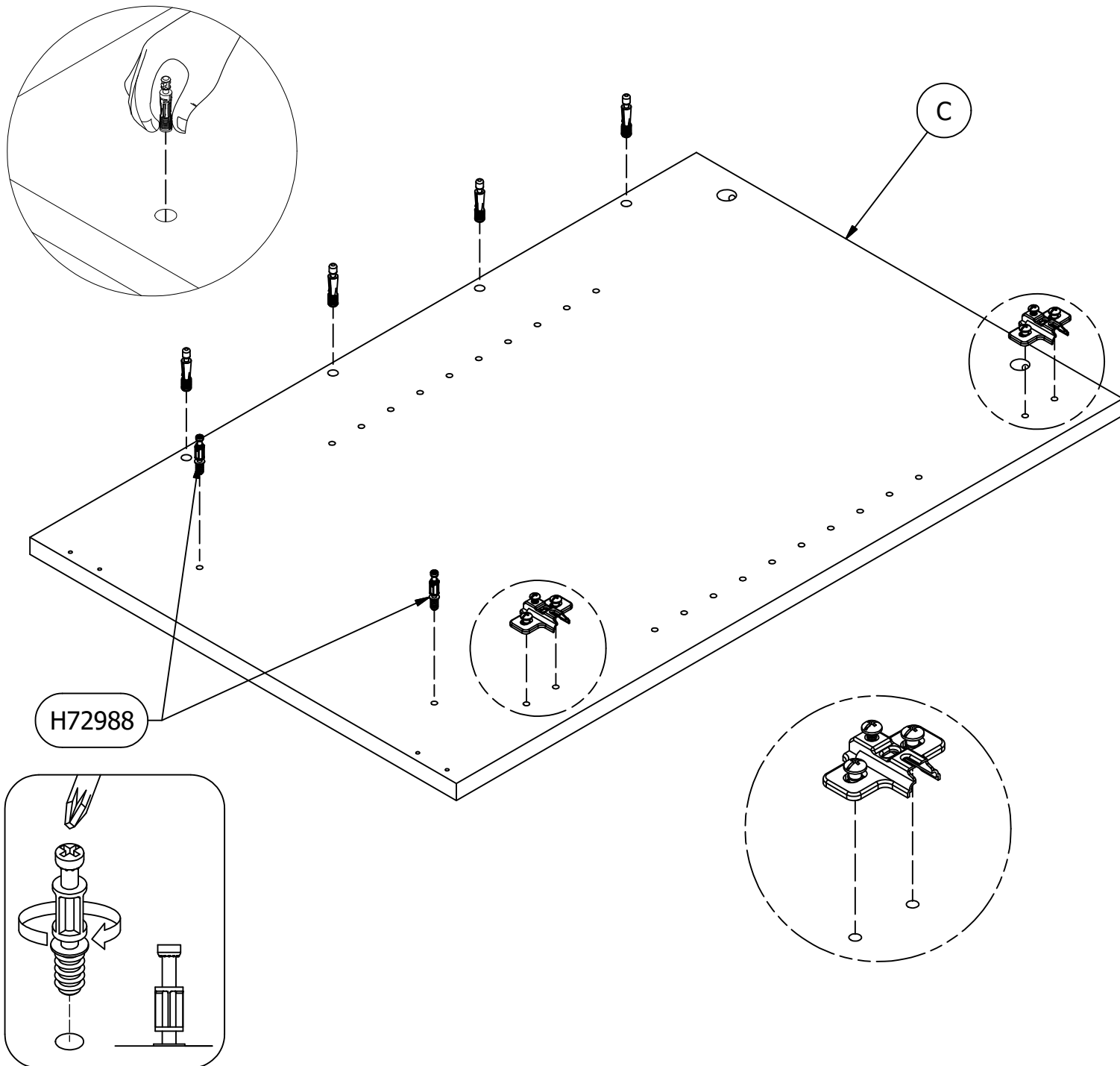
Prepare Panel

A215749A

H72988  [2]
KD Bolt

H171556  [4]
Quickfit TL4

H126758  [2]
Mounting Plate



Have an assembly question or need a replacement part? Just call
1-800-950-4782, we are here to help.

STEP 8

Assemble Panels

A215749A

Scan QR Code to Watch Video on:



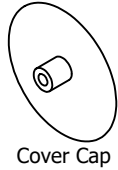
How to Tighten KD Cams

H181468US

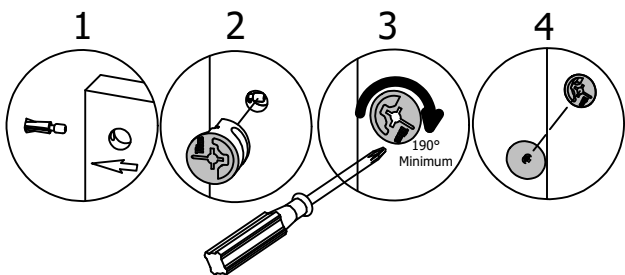
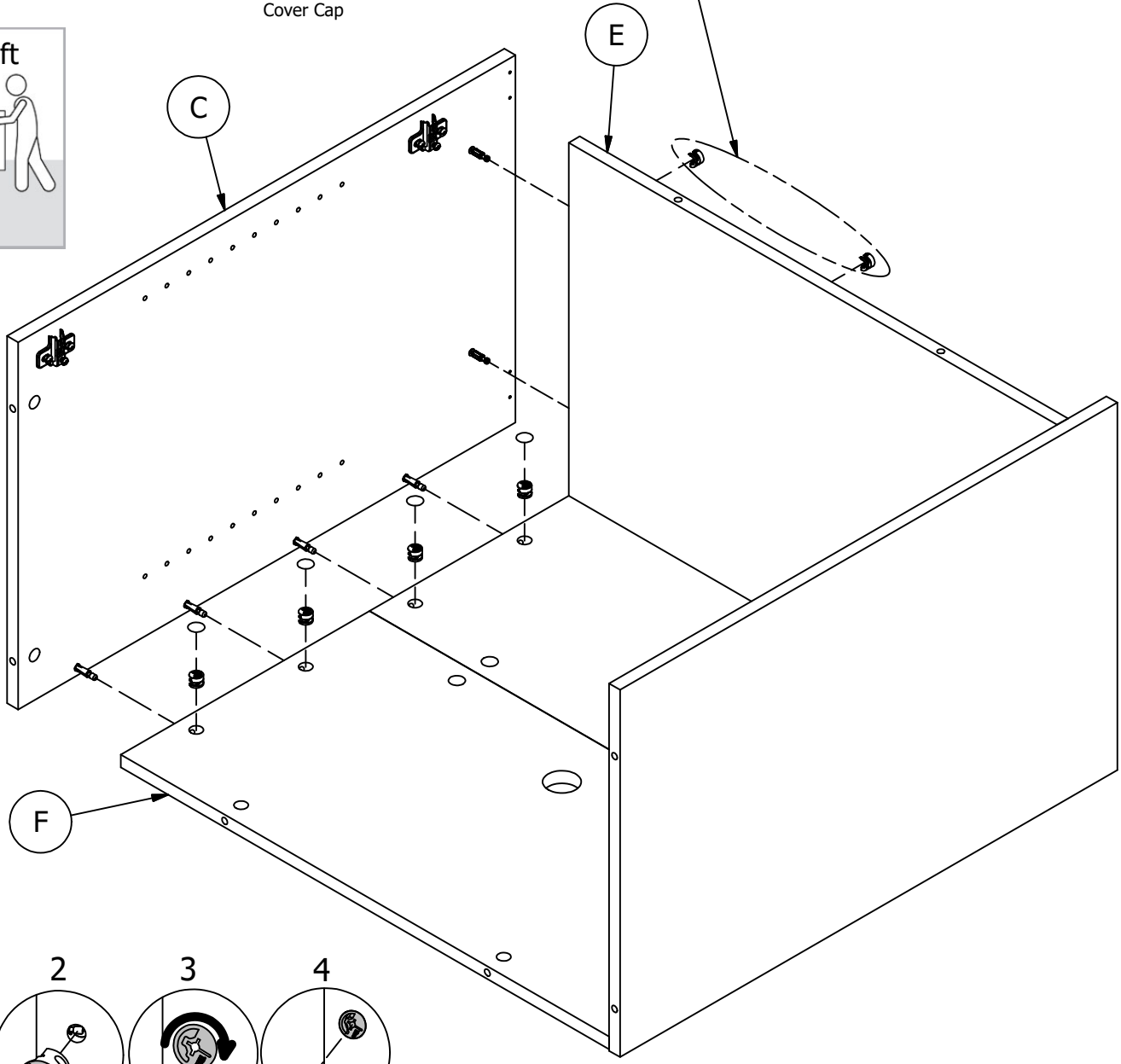
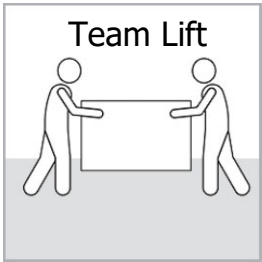
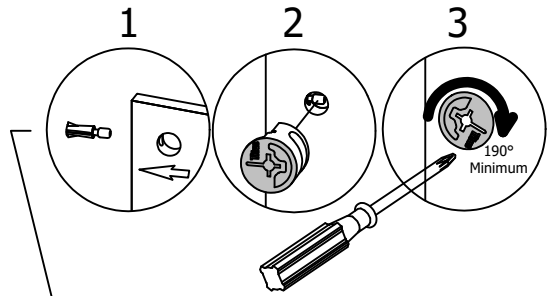


[6]

H73619



[4]

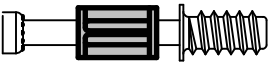


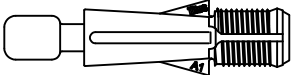
Have an assembly question or need a replacement part? Just call **1-800-950-4782**, we are here to help.


STEP 9

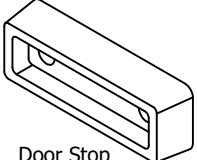
Prepare Panel

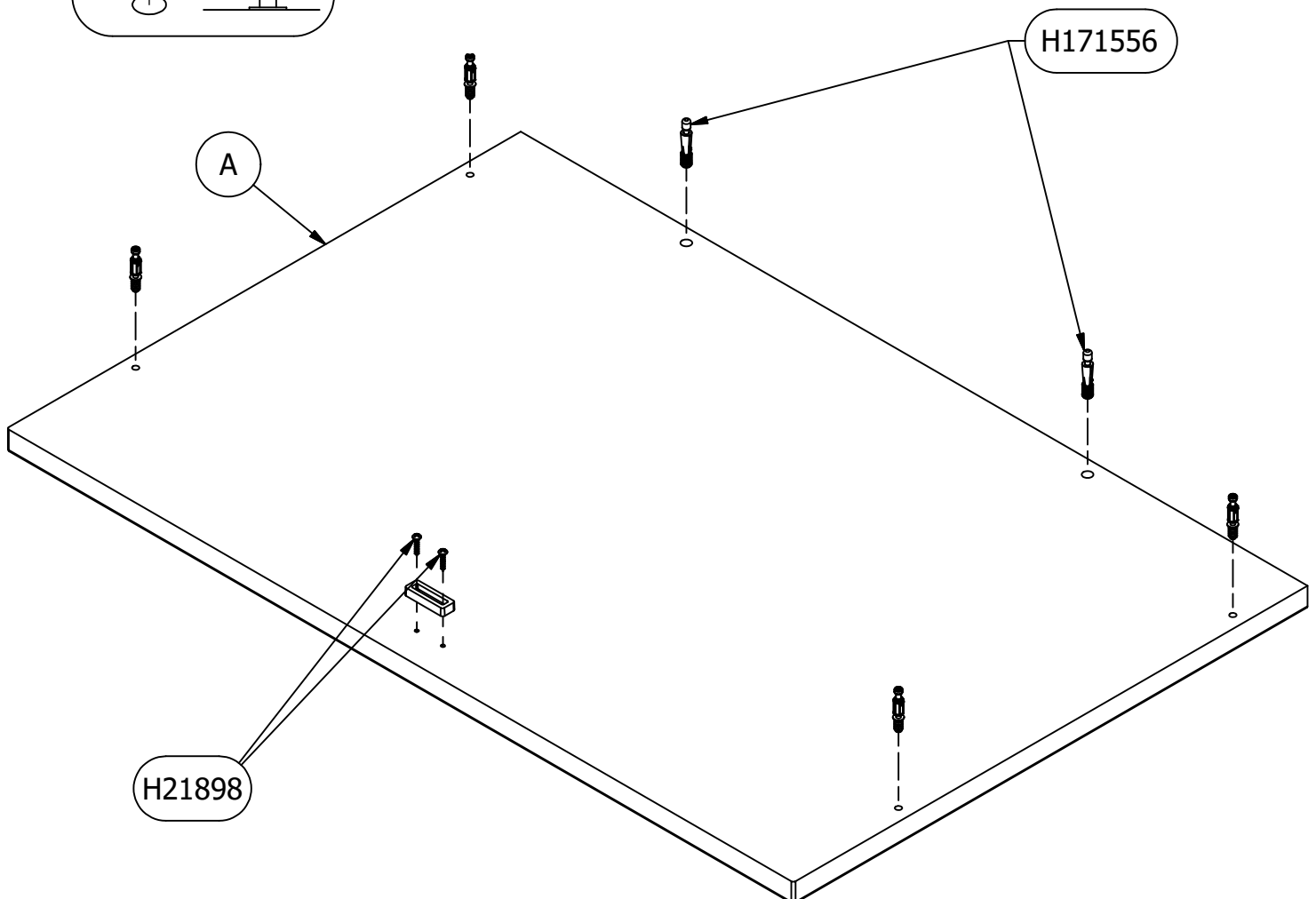
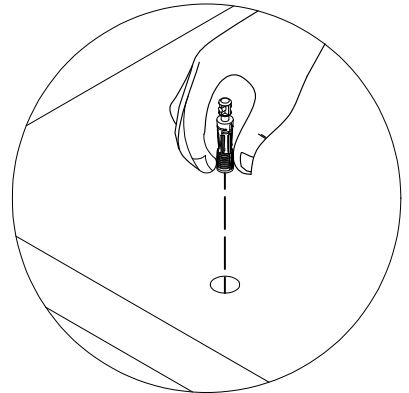
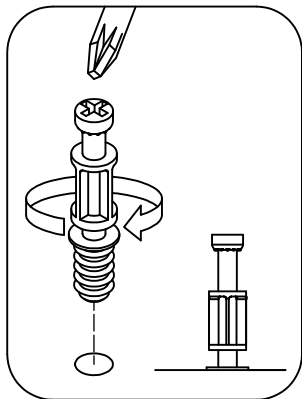
A215749A

H72988  [4]
KD Bolt

H171556  [2]
Quickfit TL4

H21898  [2]
#5 x 5/8"

H180871US  [1]
Door Stop



Have an assembly question or need a replacement part? Just call
1-800-950-4782, we are here to help.

STEP 10

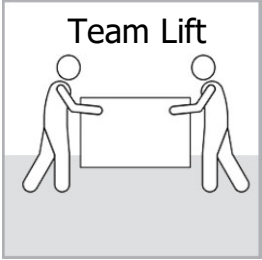
Assemble Panels

A215749A

Scan QR Code to Watch Video on:



How to Tighten KD Cams



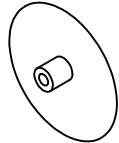
H181468US



[6]

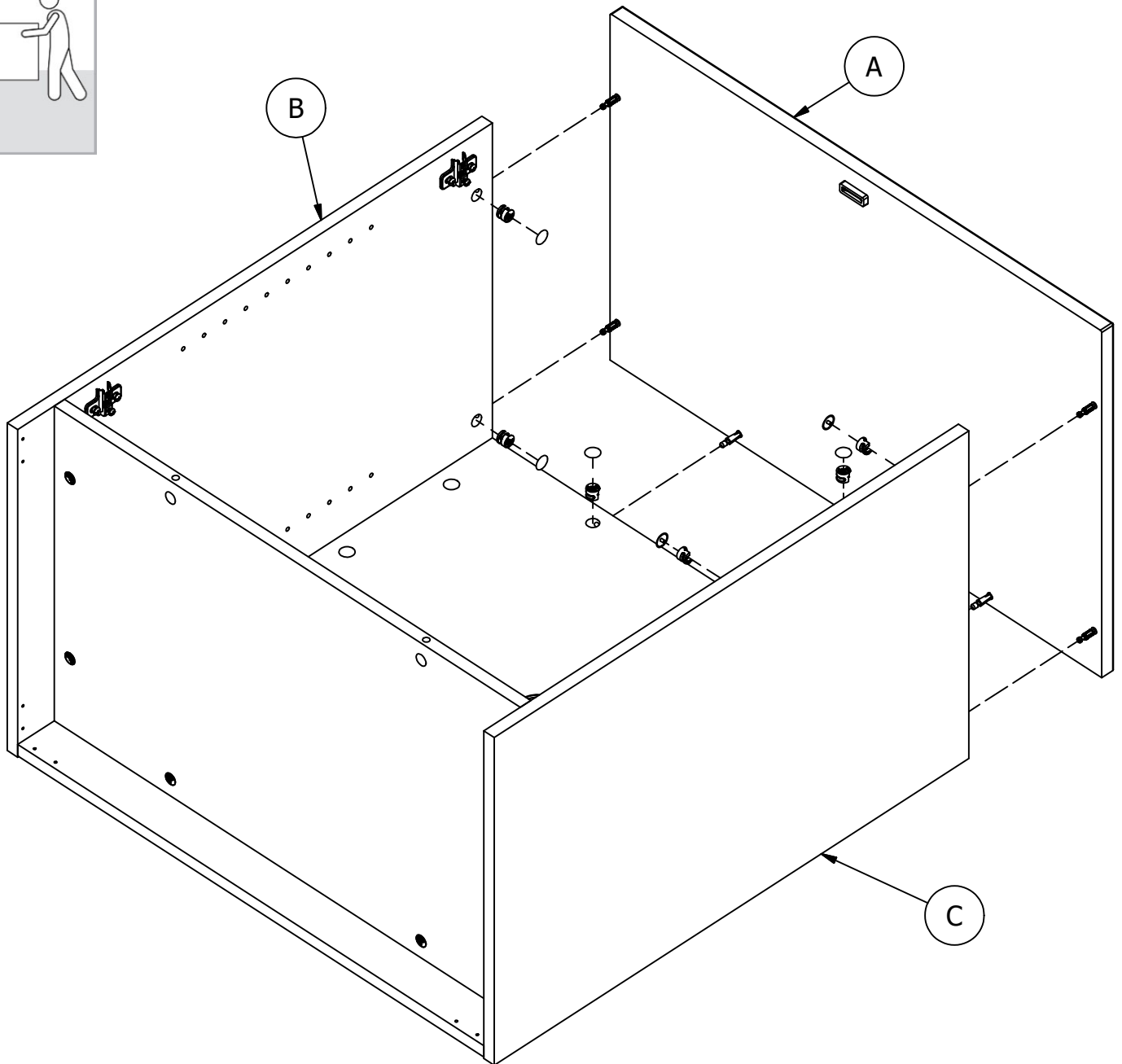
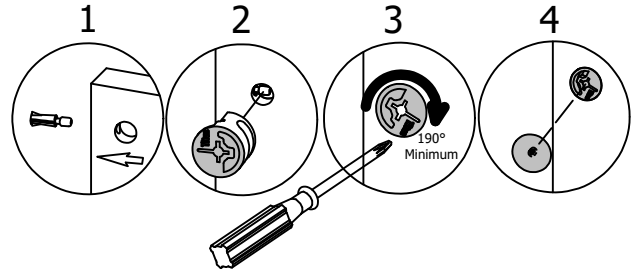
KD Cam3000

H73619



[6]

Cover Cap



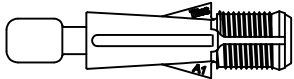
Have an assembly question or need a replacement part? Just call **1-800-950-4782**, we are here to help.

STEP 11

Prepare Panel

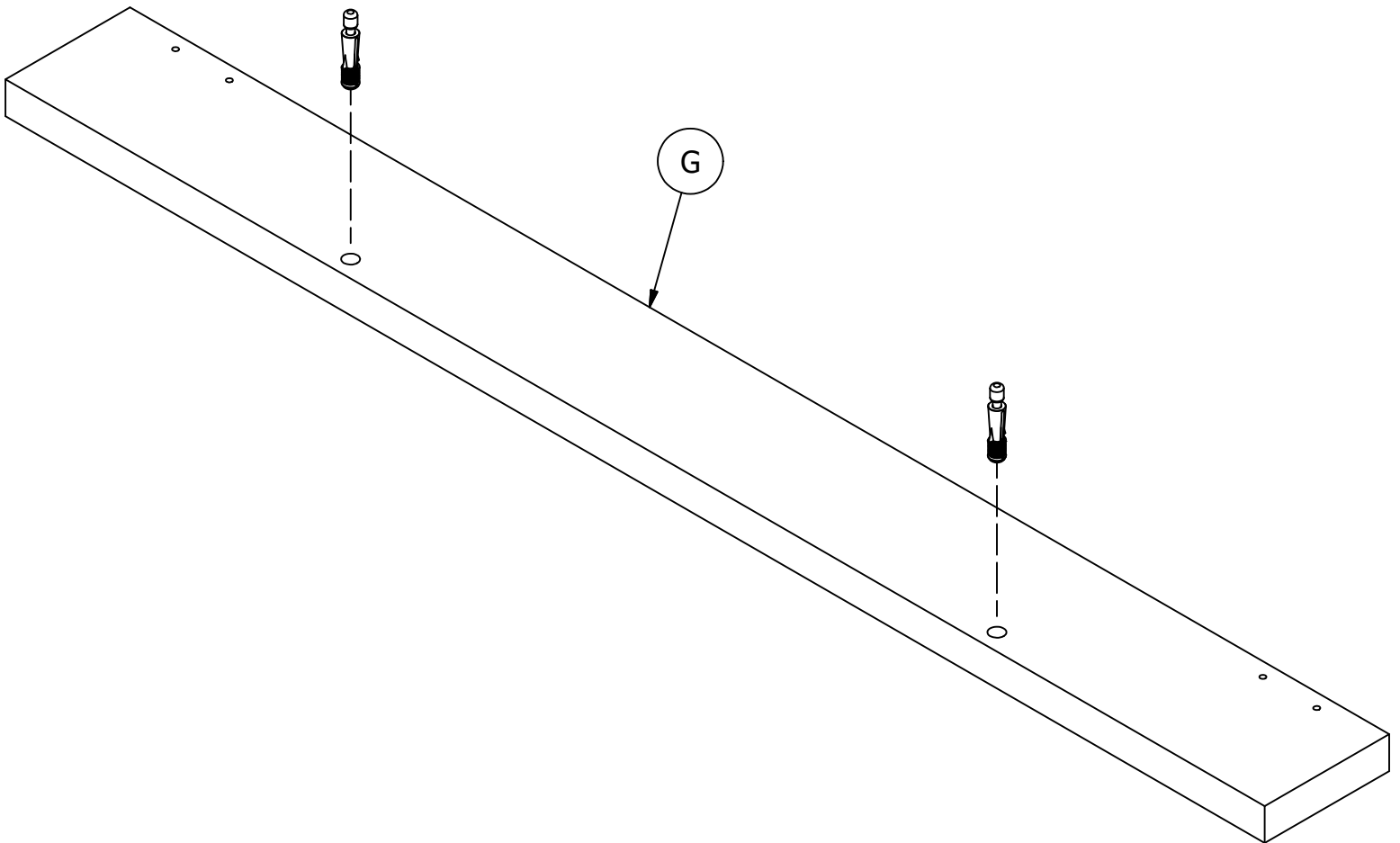
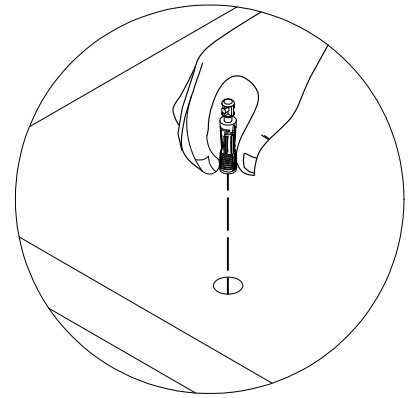
A215749A

H171556



[2]

Quickfit TL4



Have an assembly question or need a replacement part? Just call
1-800-950-4782, we are here to help.

STEP 12

Assemble Panels

A215749A

Scan QR Code to Watch Video on:



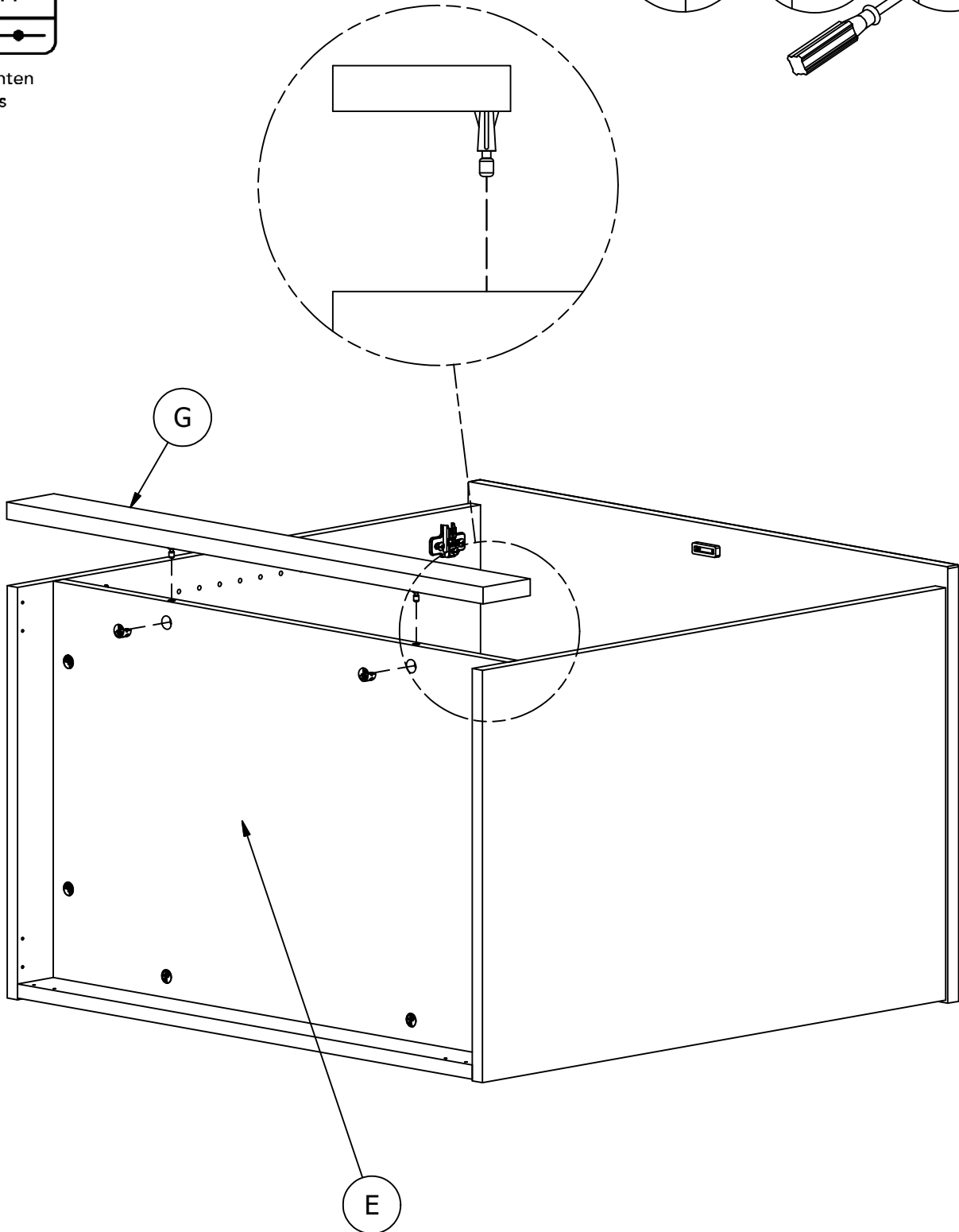
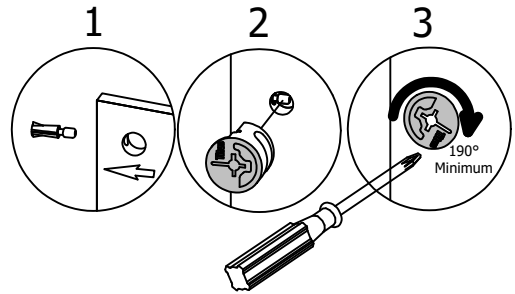
How to Tighten KD Cams

H181468US



KD Cam3000

[2]



Have an assembly question or need a replacement part? Just call **1-800-950-4782**, we are here to help.

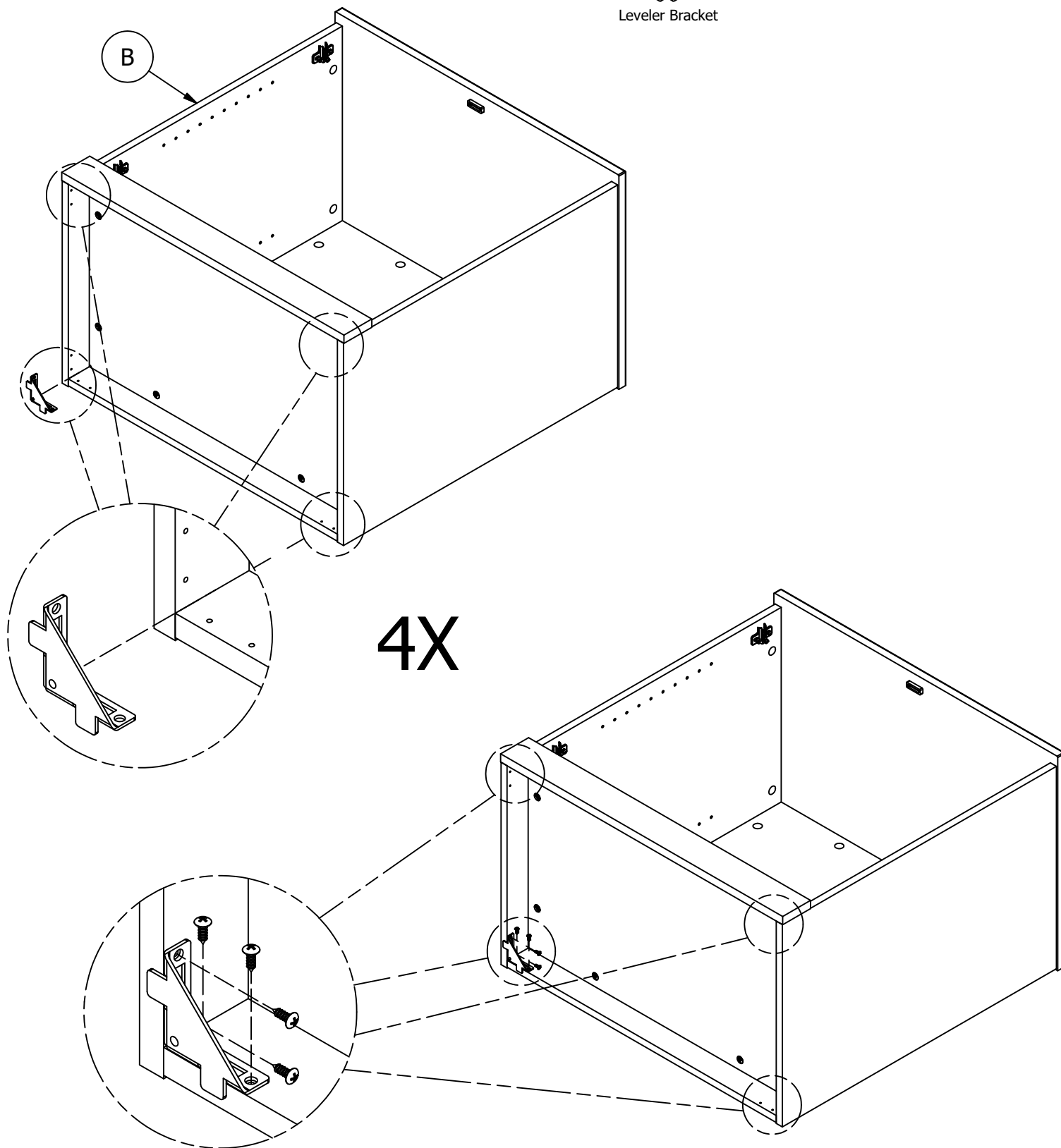
STEP 13

Install Hardware

A215749A

H192100 [16]
#8 x 1/2"

H215449 [4]
Leveler Bracket



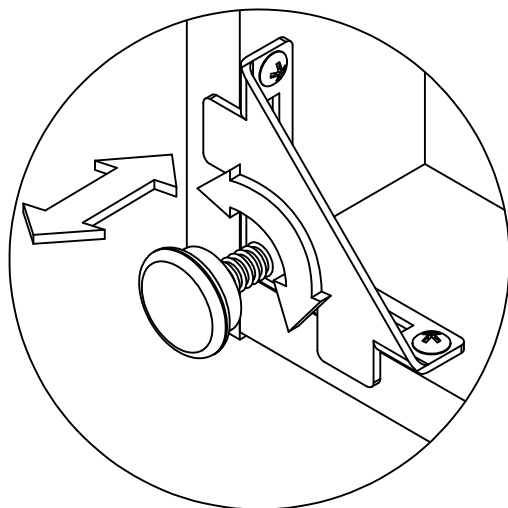
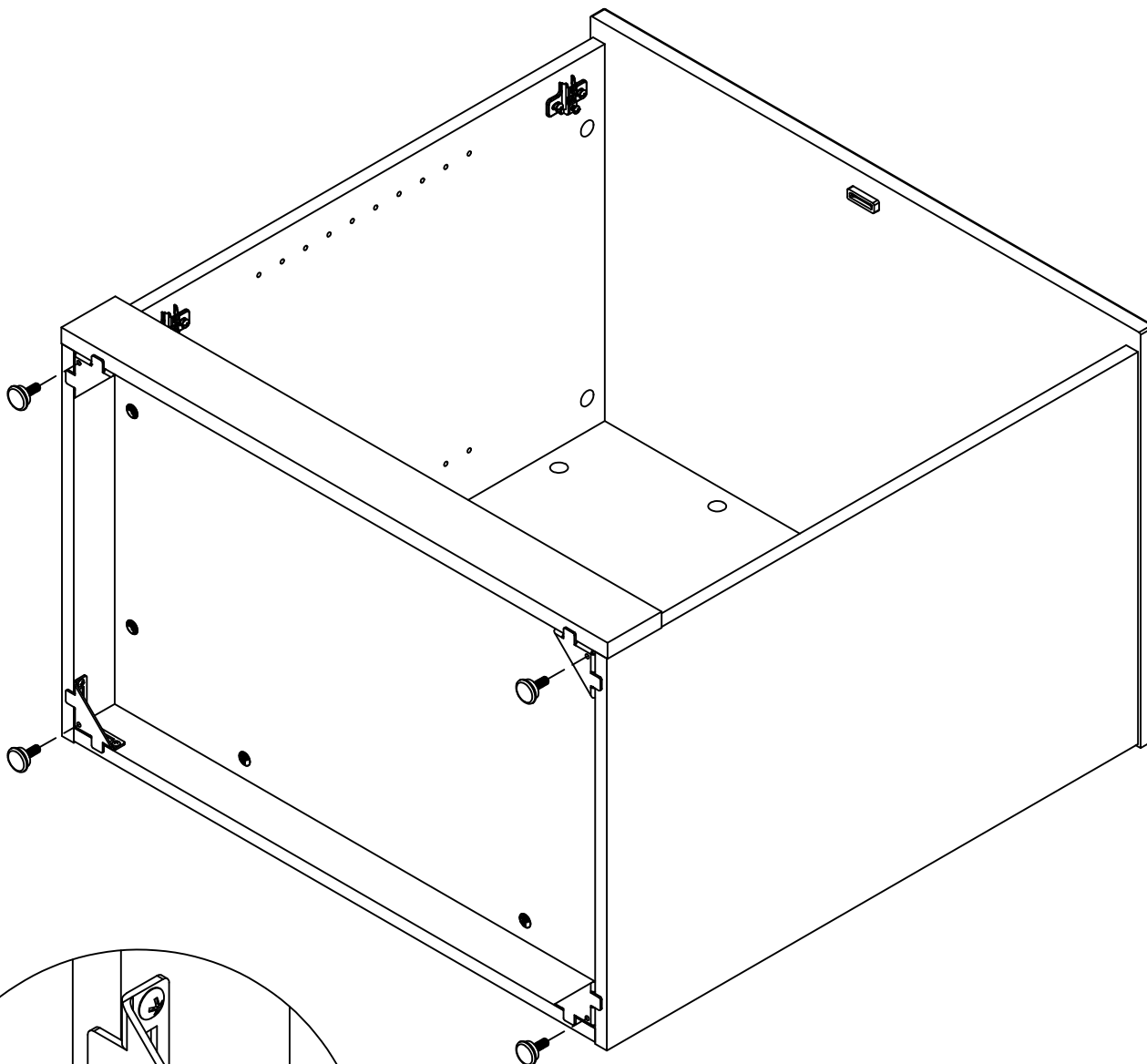
Have an assembly question or need a replacement part? Just call
1-800-950-4782, we are here to help.

H39696

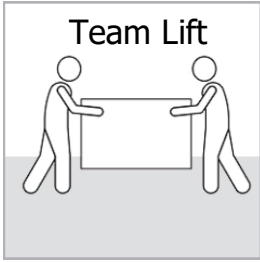


Leveler

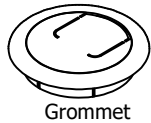
[4]



Have an assembly question or need a replacement part? Just call
1-800-950-4782, we are here to help.



H184607

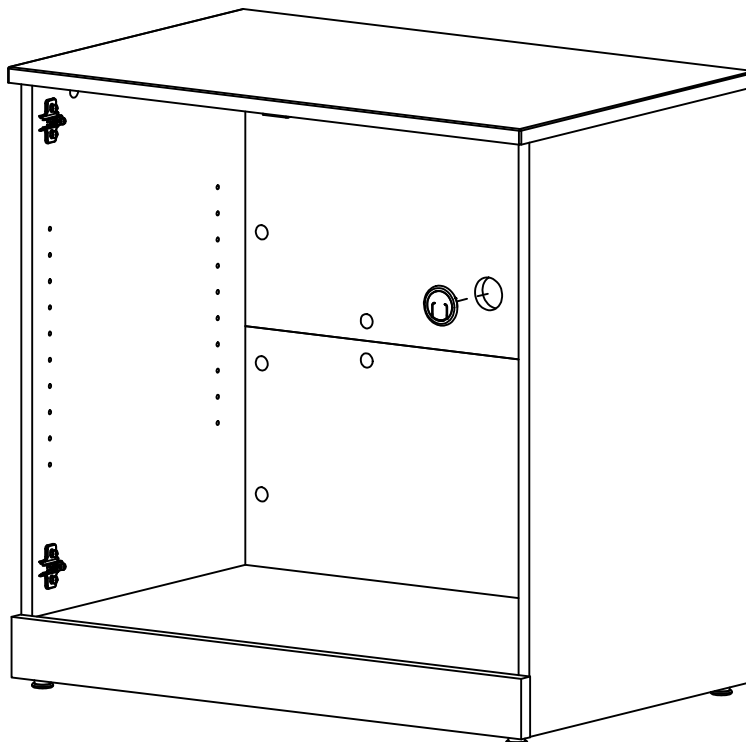
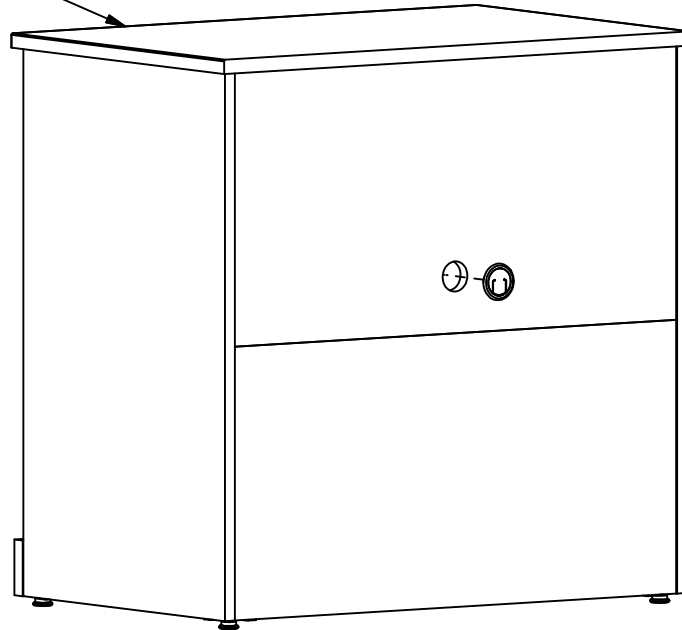


[2]

With an assistant carefully stand unit upright.

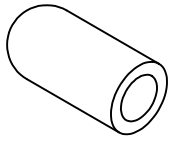
Con un asistente cuidadosamente levante la unidad a una posición vertical.

Avec l'aide d'un assistant placez soigneusement l'unité debout.



Have an assembly question or need a replacement part? Just call
1-800-950-4782, we are here to help.

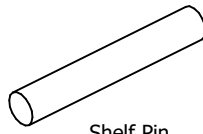
H126396



Shelf Pin Sleeve

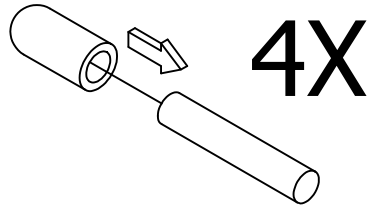
[4]

H23604

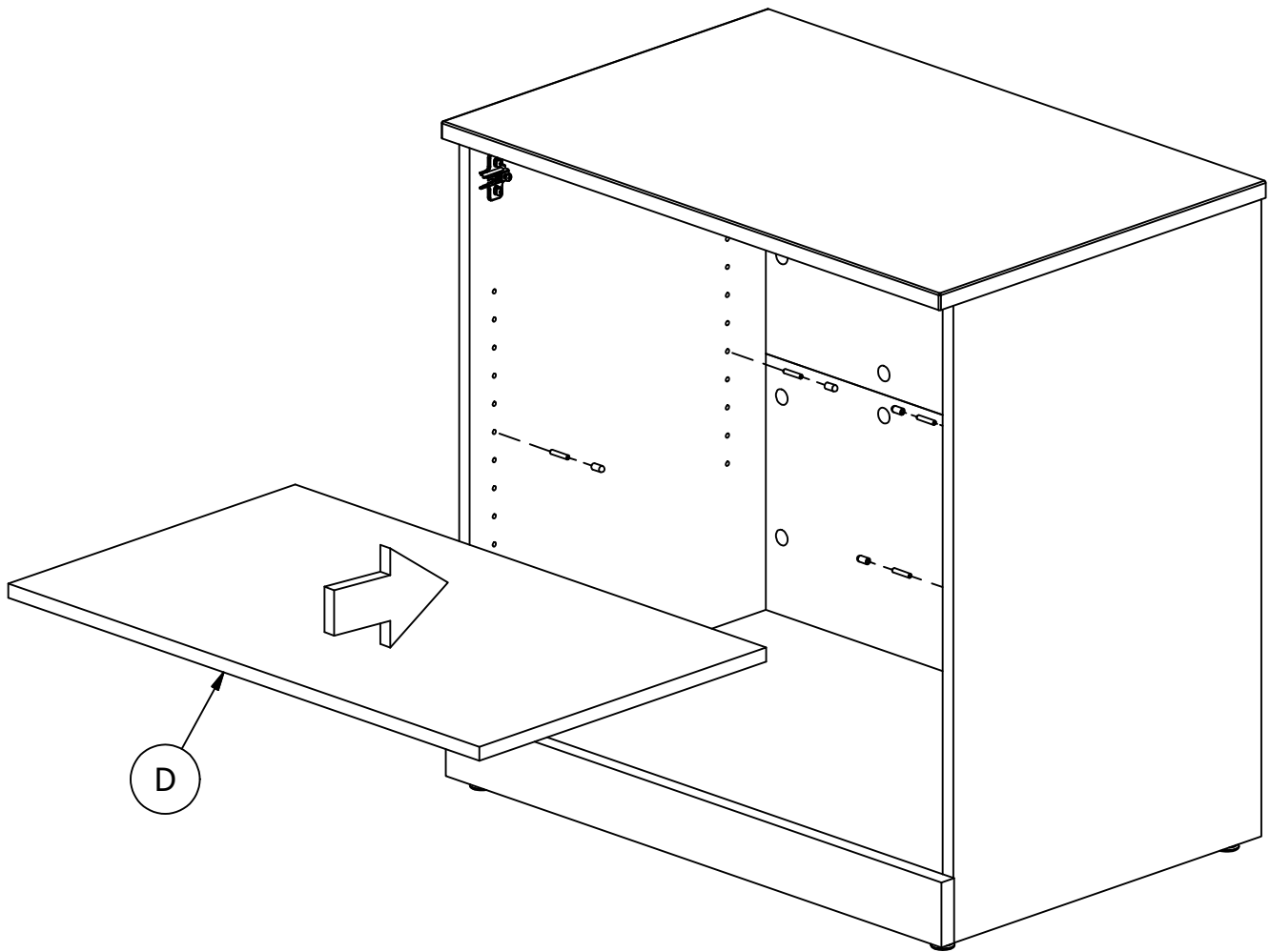


Shelf Pin

[4]



4X



STEP 17

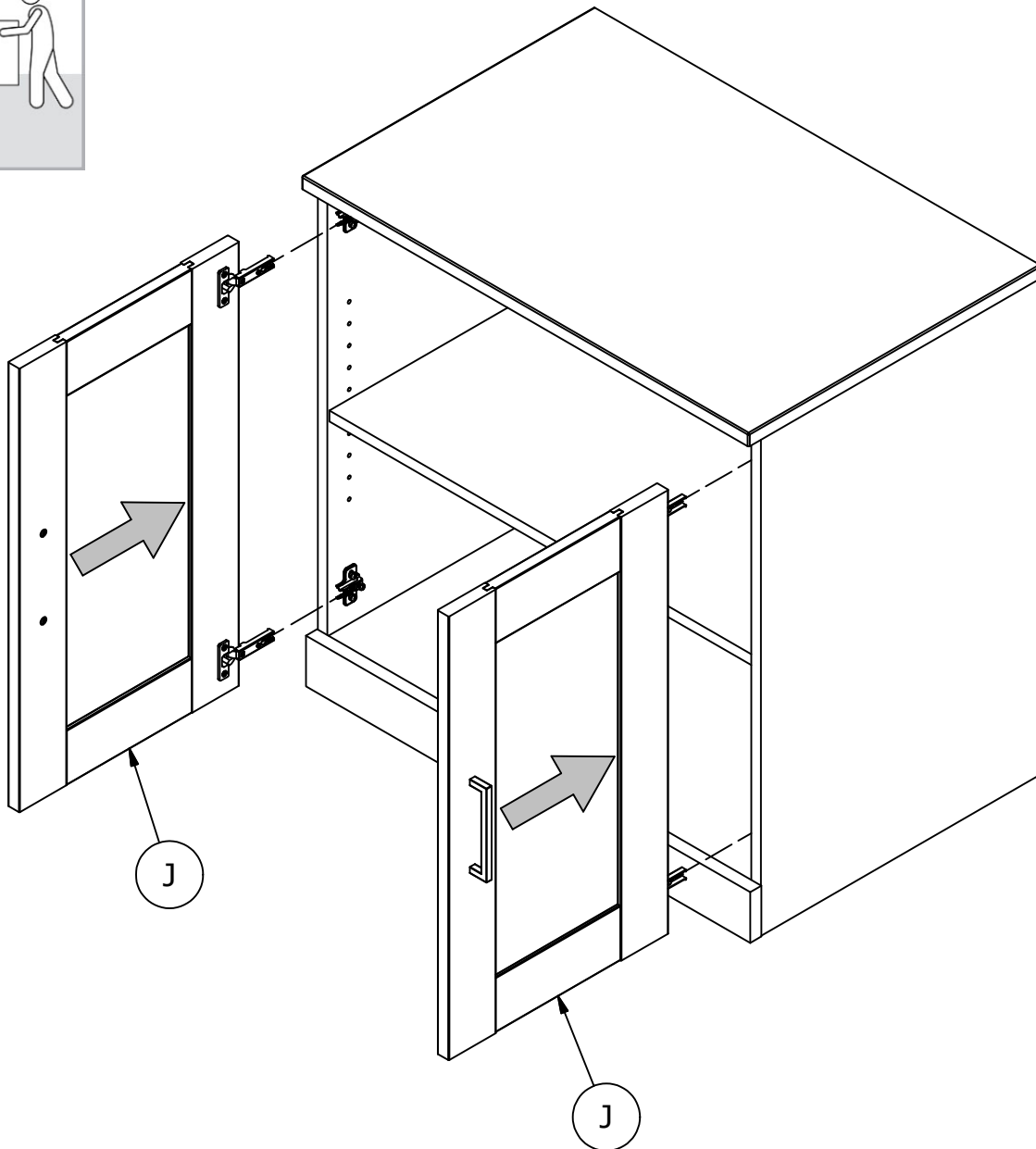
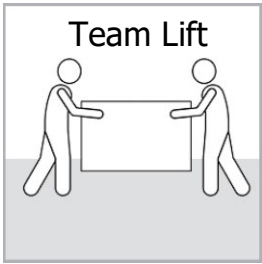
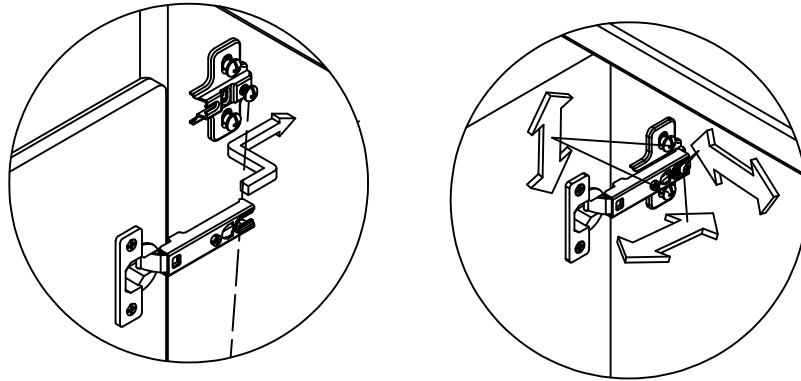
Install Doors

A215749A

Scan QR Code to
Watch Video on:



How to Adjust
Door Hinges



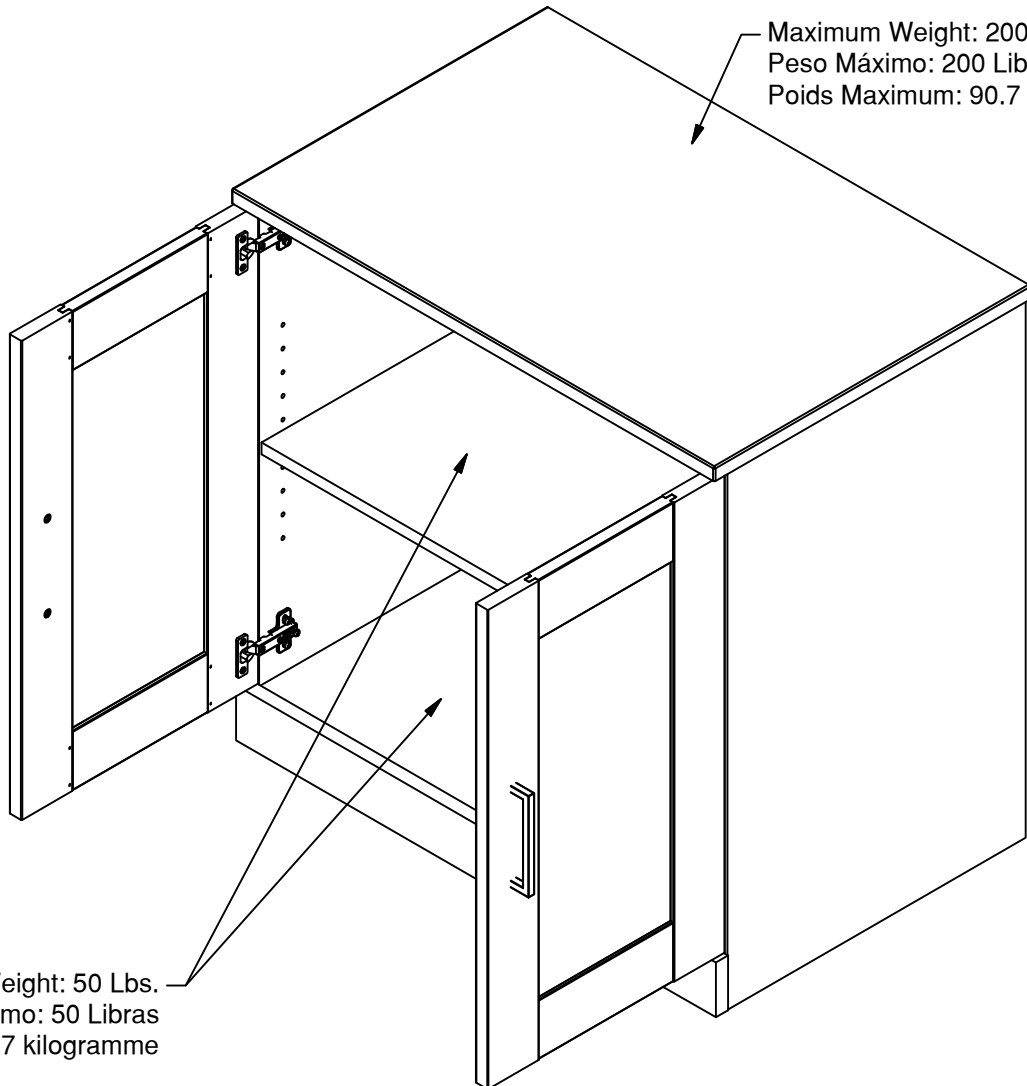
Have an assembly question or need a replacement part? Just call
1-800-950-4782, we are here to help.

Scan QR Code to
Watch Video on:



How to Clean
the Surface

Gently clean surfaces with a damp sponge eraser.



Maximum Weight: 200 Lbs.
Peso Máximo: 200 Libras
Poids Maximum: 90.7 kilogramme

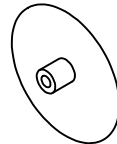
Maximum Weight: 50 Lbs.
Peso Máximo: 50 Libras
Poids Maximum: 22.7 kilogramme

Congratulations! You are all done. If
you have any questions or concerns,
please call.

Have an assembly question or need a replacement part? Just call
1-800-950-4782, we are here to help.

HHS130WH			
LABEL CODE	PART NUMBER	QTY	DESCRIPTION
A	W215750	1	TOP SHELF
B	W215751	1	LEFT SIDE PANEL
C	W215752	1	RIGHT SIDE PANEL
D	W215753	1	ADJUSTABLE SHELF
E	W215754	1	BOTTOM SHELF
F	W215755	1	UPPER BACK PANEL
G	W215756	1	BOTTOM RAIL
H	W215922	1	LOWER BACK PANEL
J	S215600	2	DOOR

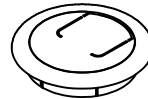
H73619



[18]

Cover Cap

H184607



[2]

Grommet