

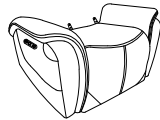



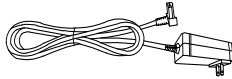
ASSEMBLY INSTRUCTIONS

KAMARI COLLECTION

ITEM#: U092-13P1

DESCRIPTION : KAMARI GLIDER
RECLINER W/PWR FR

Thank you for purchasing this quality product. Be sure to check all packing materials carefully for small parts, which may have come loose during shipment. Identify and count all items and compare with the parts list shown below. It is recommended to have two people during assembling and to remove the back and base of the furniture out from the box. **Please follow the drawings below to assemble the item**

PARTS LIST			
NO.	DESCRIPTION	SKETCH	QTY
A	Seat		1PC
B	Backrest		1PC
C	Left Side Facing (LSF) Wing		1PC
D	Right Side Facing (RSF) Wing		1PC
E	Power Cable 29V		1PC

All images shown are for illustration purpose only.
Actual product may vary due to product enhancement.

ASSEMBLY INSTRUCTIONS

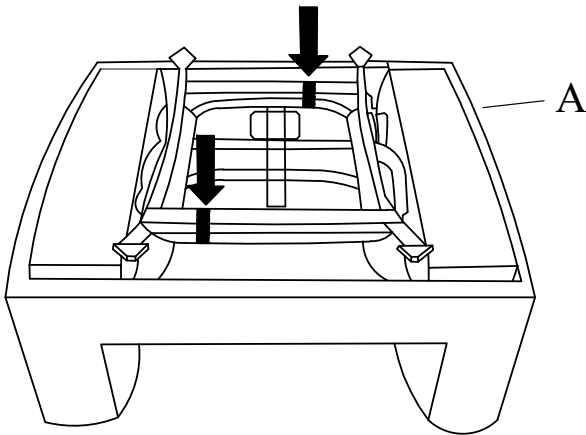
KAMARI COLLECTION

ITEM#: U092-13P1

DESCRIPTION : KAMARI GLIDER
RECLINER W/PWR FR

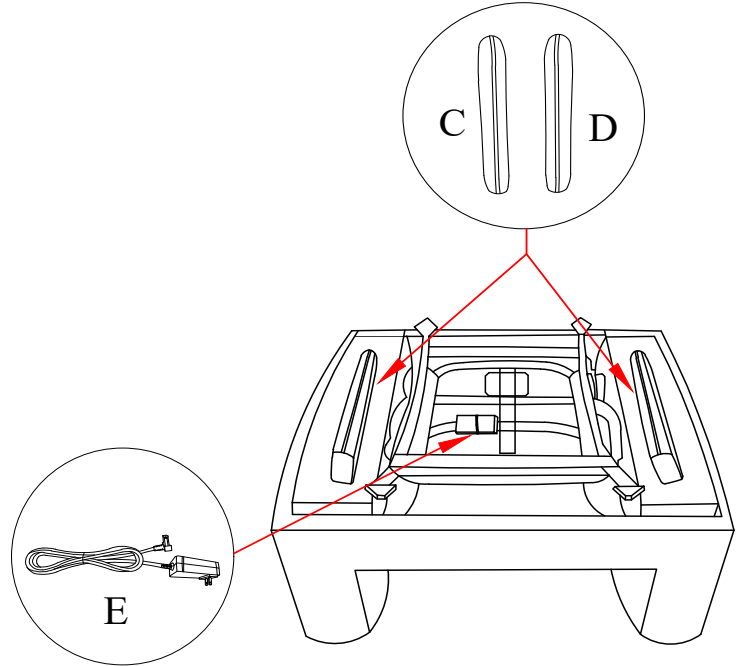
Step 1:

Check the bottom of the Seat (A) to cut and remove any fastener that is holding the mechanism in place during transportation.



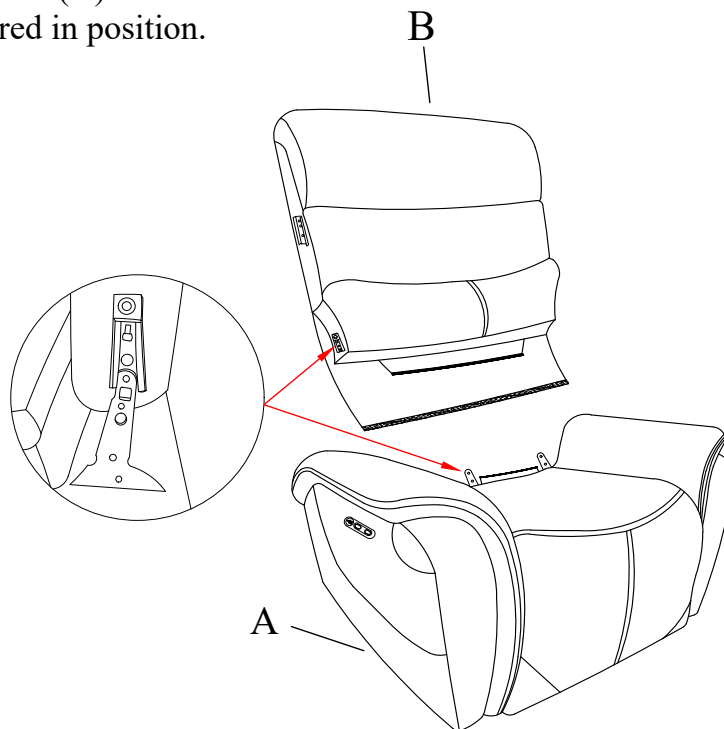
Step 2:

Locate the LSF wing, RSF wing, and Power Cables (C, D, E) underneath the Seat (A).



Step 3:

Insert the Backrest (B) to the Seat (A) and make sure the backrest is secured in position.



All images shown are for illustration purpose only.
Actual product may vary due to product enhancement.

ASSEMBLY INSTRUCTIONS

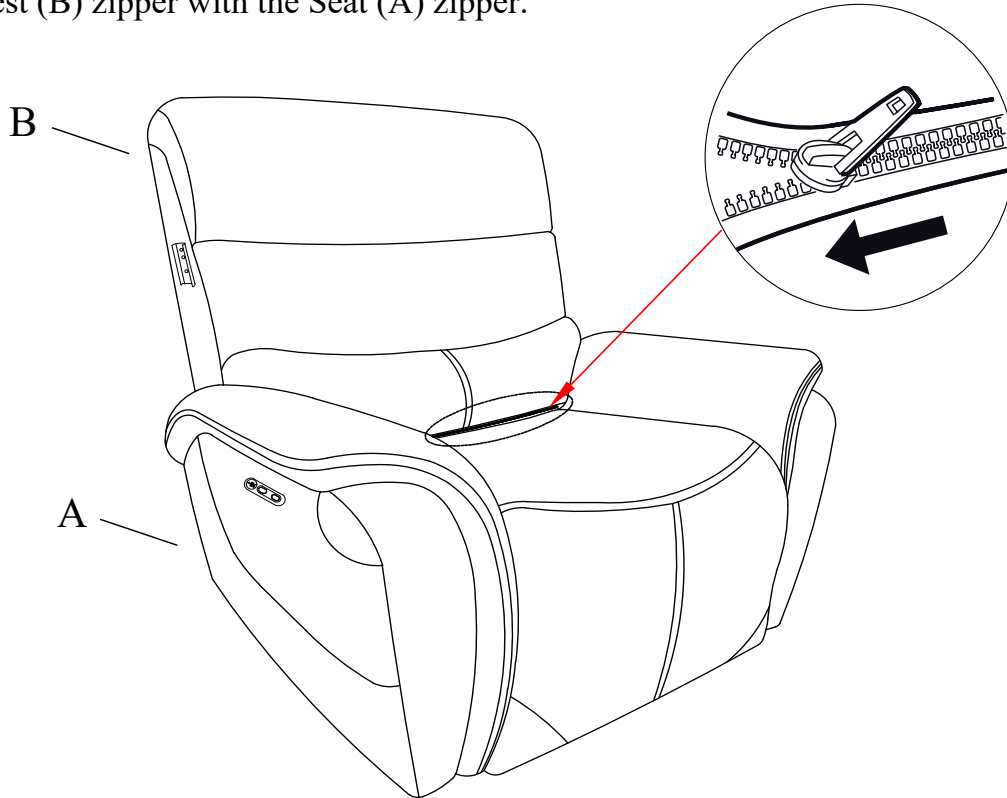
KAMARI COLLECTION

ITEM#:U092-13P1

DESCRIPTION : KAMARI GLIDER
RECLINER W/PWR FR

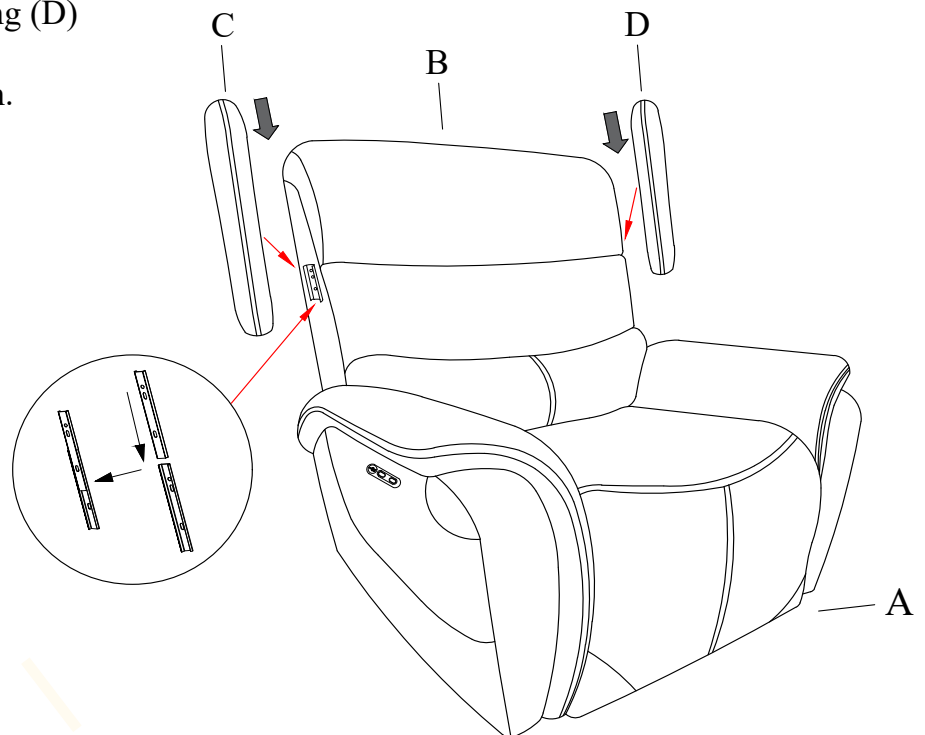
Step 4:

Zip up the Backrest (B) zipper with the Seat (A) zipper.



Step 5:

Insert the LSF wing (C) and RSF wing (D) into the Backrest (B) and make sure the wings are secured in position.



All images shown are for illustration purpose only.
Actual product may vary due to product enhancement.

ASSEMBLY INSTRUCTIONS

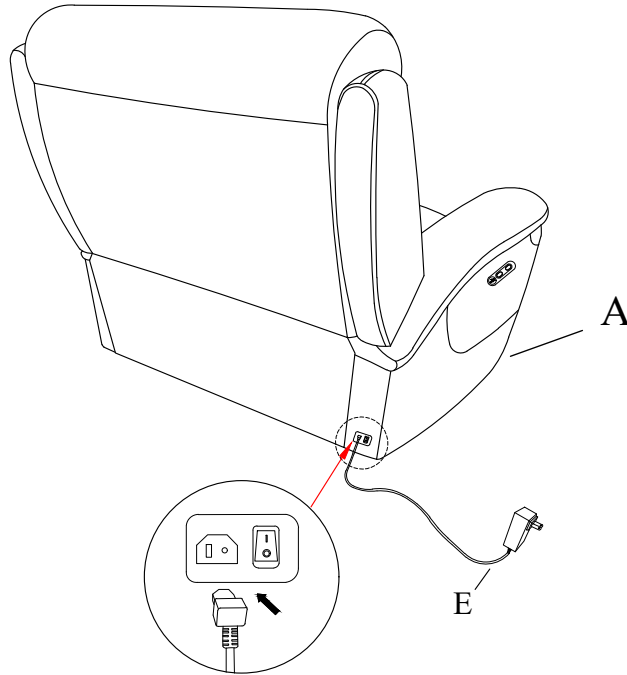
KAMARI COLLECTION

ITEM#: U092-13P1

DESCRIPTION : KAMARI GLIDER
RECLINER W/PWR FR

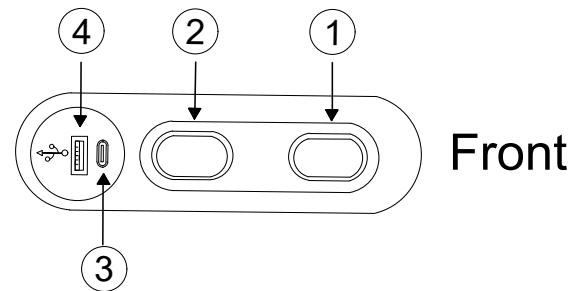
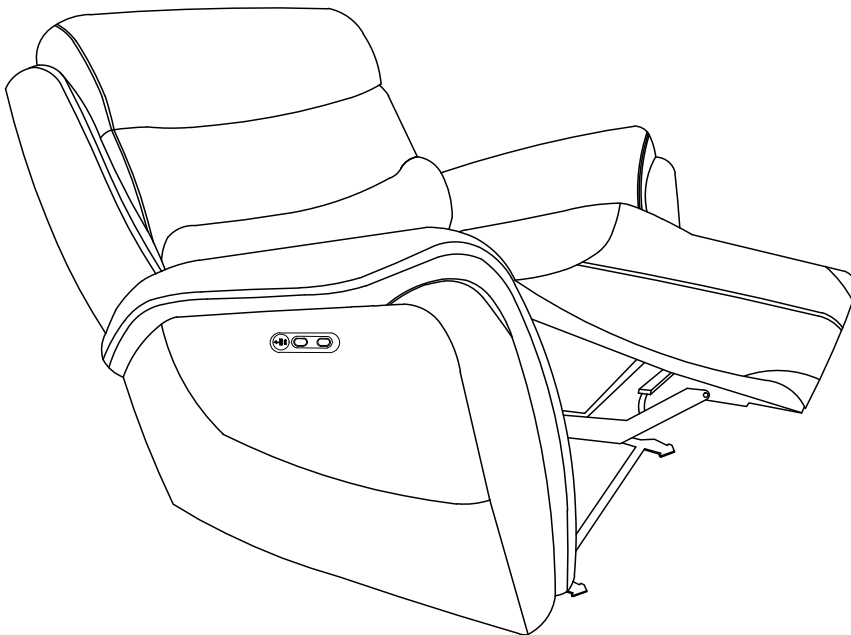
Step 6:

Connect the Power Cable 29V (E) into the power socket on the back of Seat (A).



Step 7:

Use the power switch to adjust the seat for optimal comfort.



- ① Mechanism Open
- ② Mechanism Close
- ③ USB -C interface
- ④ USB interface

All images shown are for illustration purpose only.
Actual product may vary due to product enhancement.