



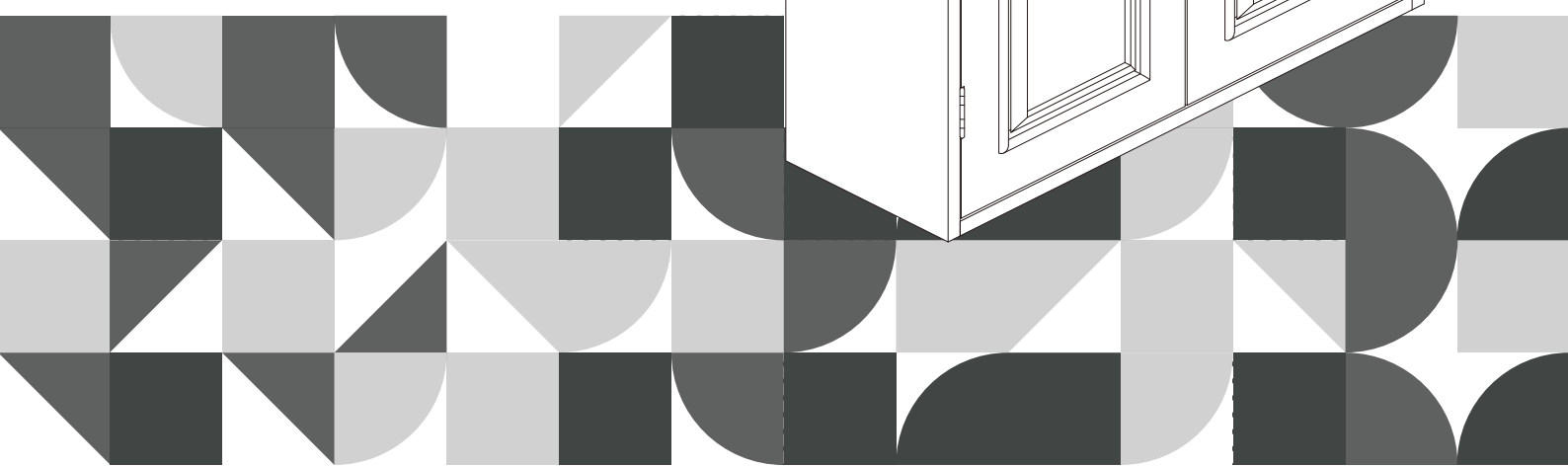
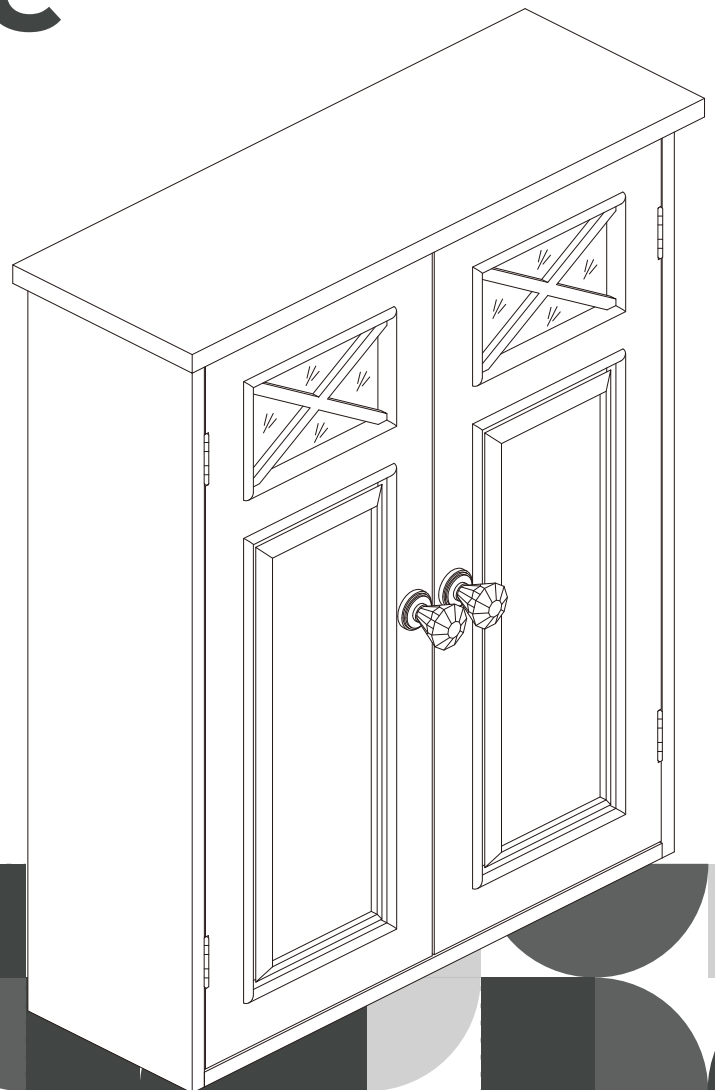
**Extended Warranty
Sign Up**

E-1

Welcome home!

6810

**TEAMSON HOME
Dawson Wall Cabinet
w/ 2 Doors**





**Questions? Comments? Need help?
Call or email us any time!**

Global Customer Service

USA

+1(800)935-3959

Mon - Fri 10:00am ~ 2:00pm EST
✉ support@teamson.com

EU/UK

+44(0)1952-916-050

Mon - Thu 9:00am ~ 5:00pm GMT
Friday 9:00am ~ 4:00pm GMT
✉ support@teamson.co.uk

ASIA

深圳办公室:

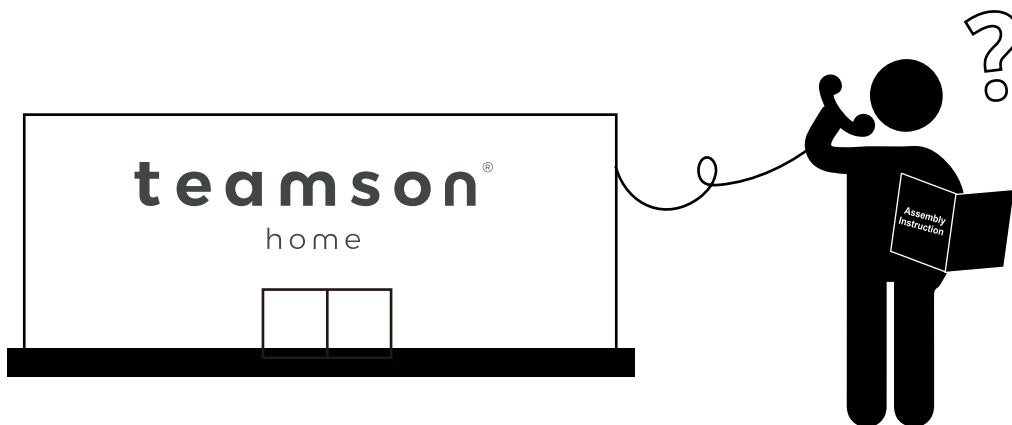
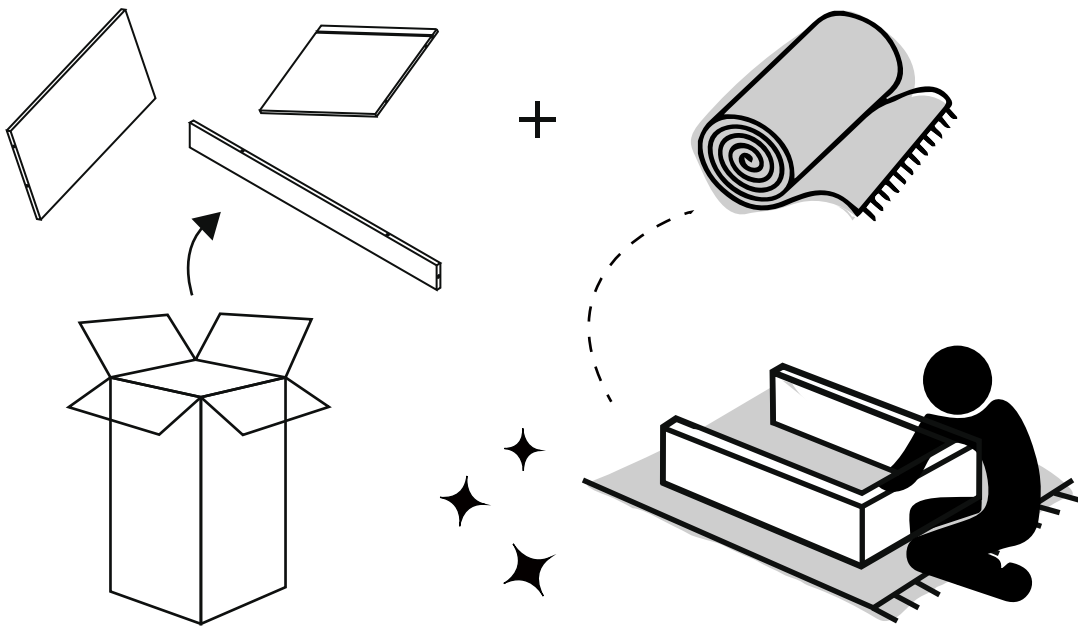
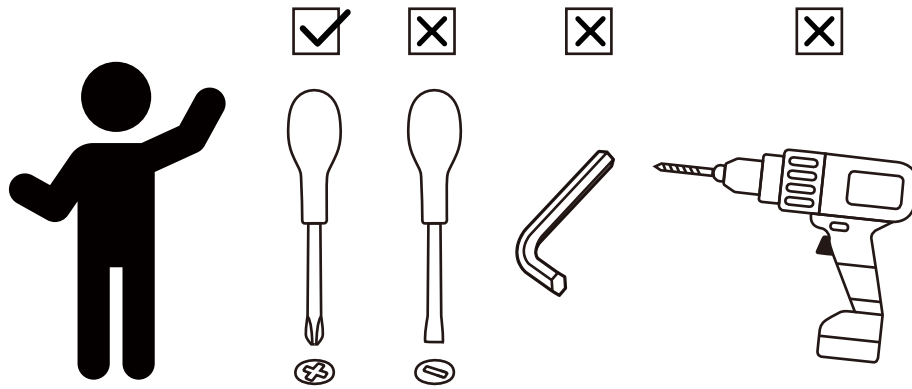
+86(0755)8885-3558.分机号331

Mon - Sat 9:00am ~ 5:00pm GMT+8
✉ sales_ec@teamson.com

台北办公室:

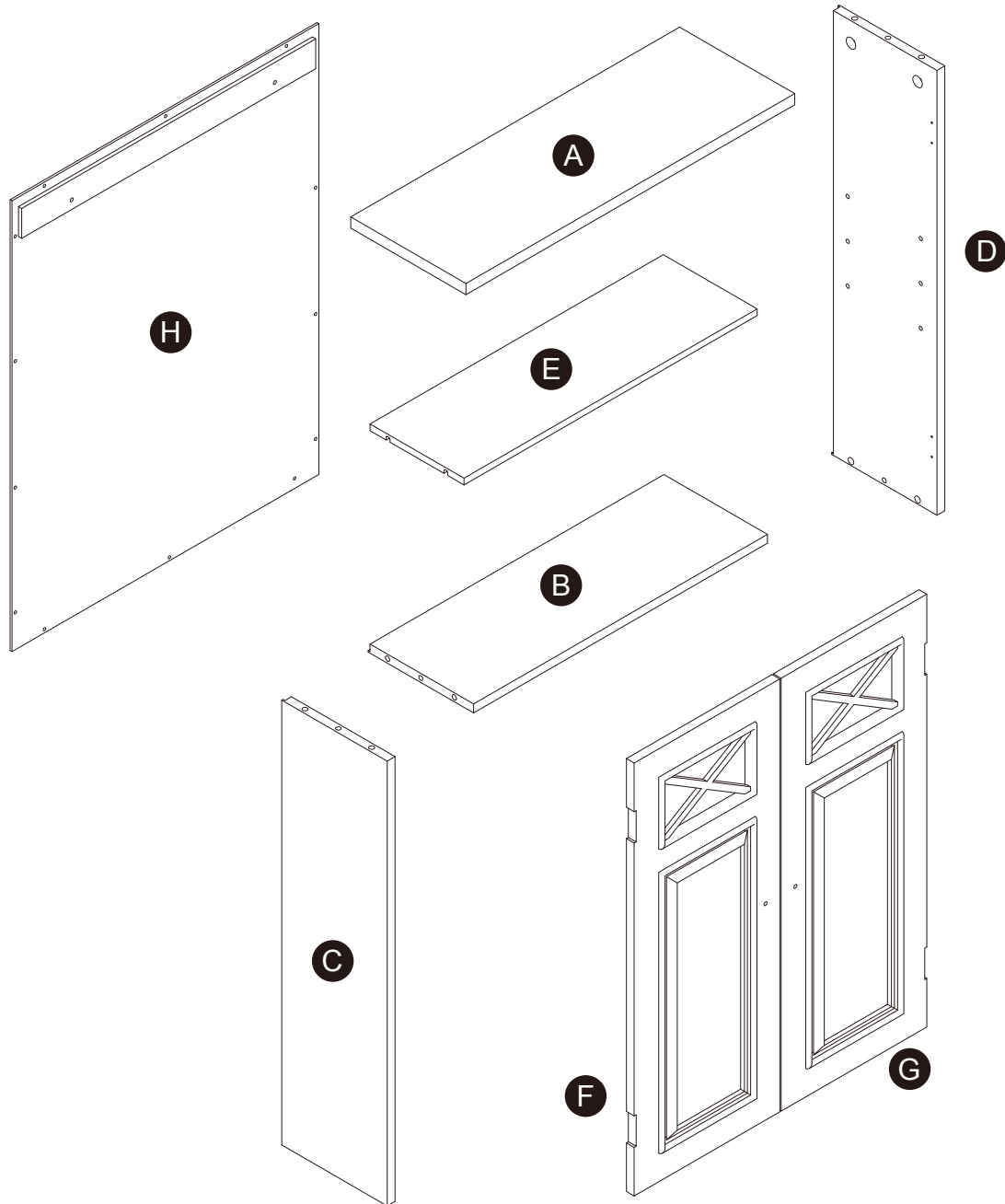
+886(2)2556-6268

Mon - Fri 9:00am ~ 5:00pm GMT+8
✉ sales_ec@teamson.com



** Got questions? Please have your product code (on the first page of this instruction, e.g. TD-12345A) and the order number ready, give us a call or email us through our customer care support! We are always ready to assist you!

Exploded Drawing



Scan for assembly instructions.

Product Parts

A



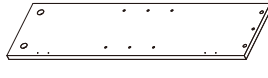
1 PC

B



1 PC

C



1 PC

D



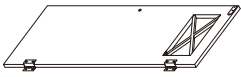
1 PC

E



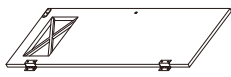
1 PC

F



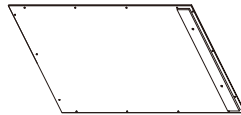
1 PC

G



1 PC

H



1 PC

! Care Instructions

Dust surface with a dry soft cloth. Do not use window cleaners or cleaning abrasives as they will scratch the surface and could damage the protective coating

! WARNING

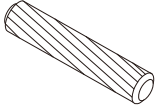
Small parts and sharp edges may be present prior to assembly.



Scan for assembly instructions.

Hardware

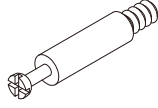
1



Ø8*30mm

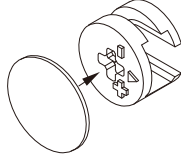
4 PCS

2



8 PCS

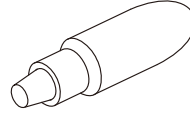
3



Ø15*9

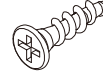
8 PCS

4



1 PC

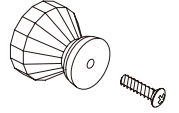
5



Ø3*12mm

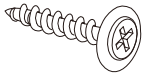
8 PCS

6



2 SETS

7



Ø3*12 D=7

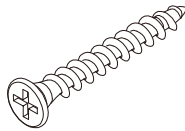
14 PCS

8



4 PCS

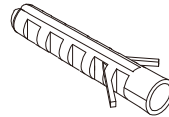
9



Ø4*50mm

2 PCS

10



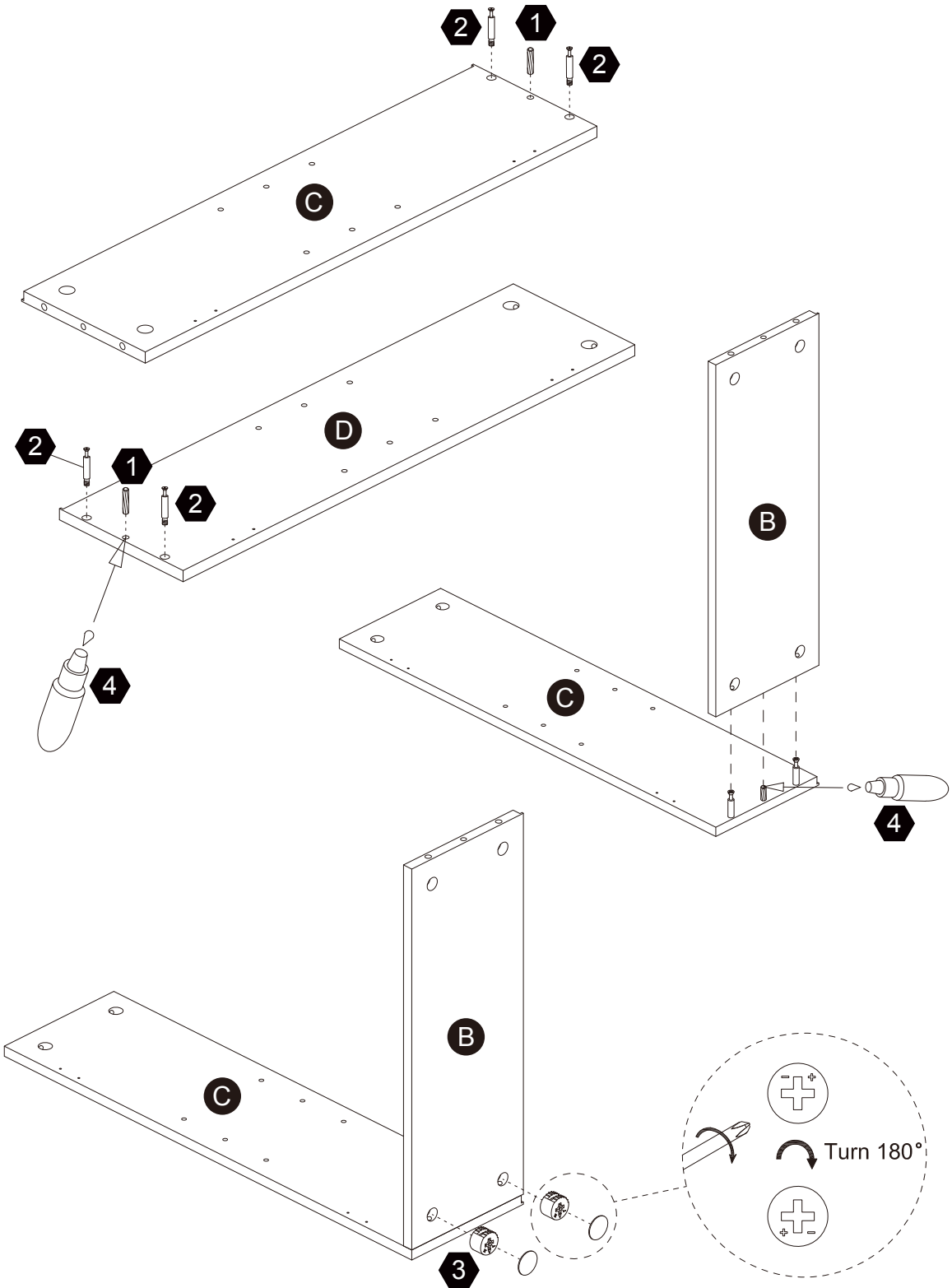
2 PCS



Scan for assembly instructions.

Step 1

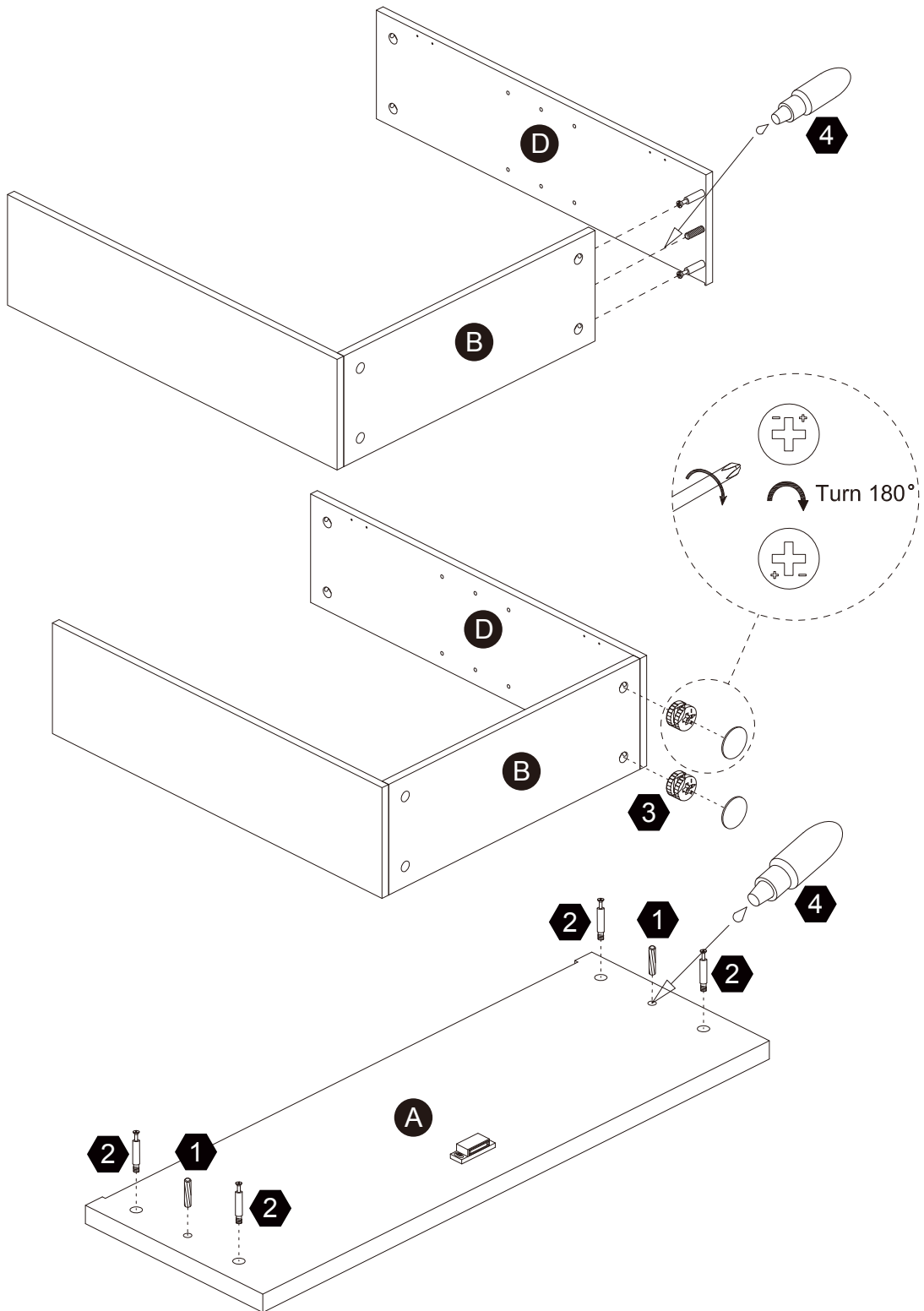
- 1**  $\text{\O}8*30\text{mm}$ 2 pcs
- 2**  4 pcs
- 3**  $\text{\O}15*9$ 2 pcs
- 4**  1 pc



Scan for assembly instructions.

Step 2

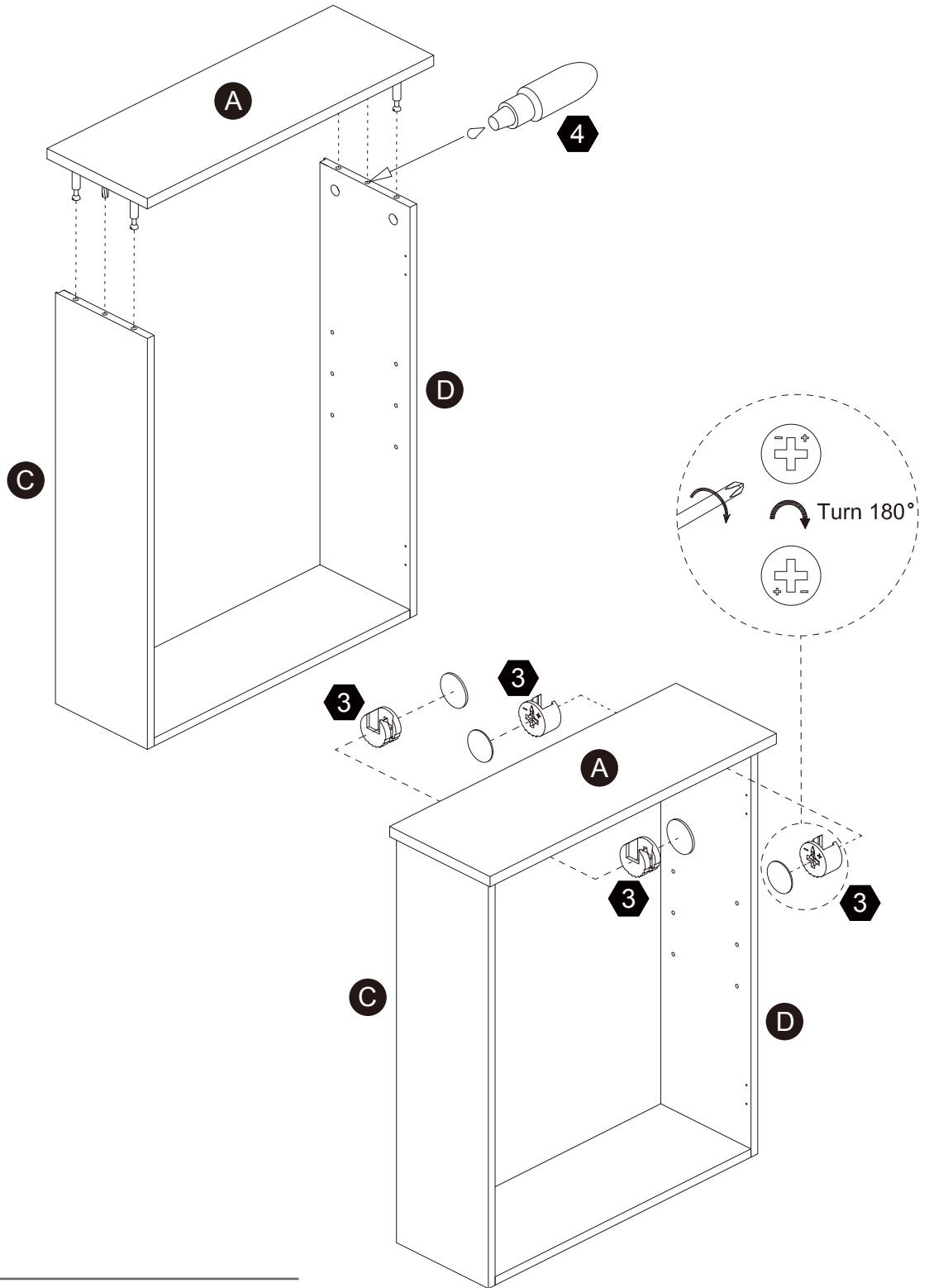
- 1  Ø8*30mm 2 pcs 2  4 pcs 3  Ø15*9 2 pcs 4  1 pc



Scan for assembly instructions.


Step 3

- 3**  Ø15*9 4 pcs
- 4**  1 pc

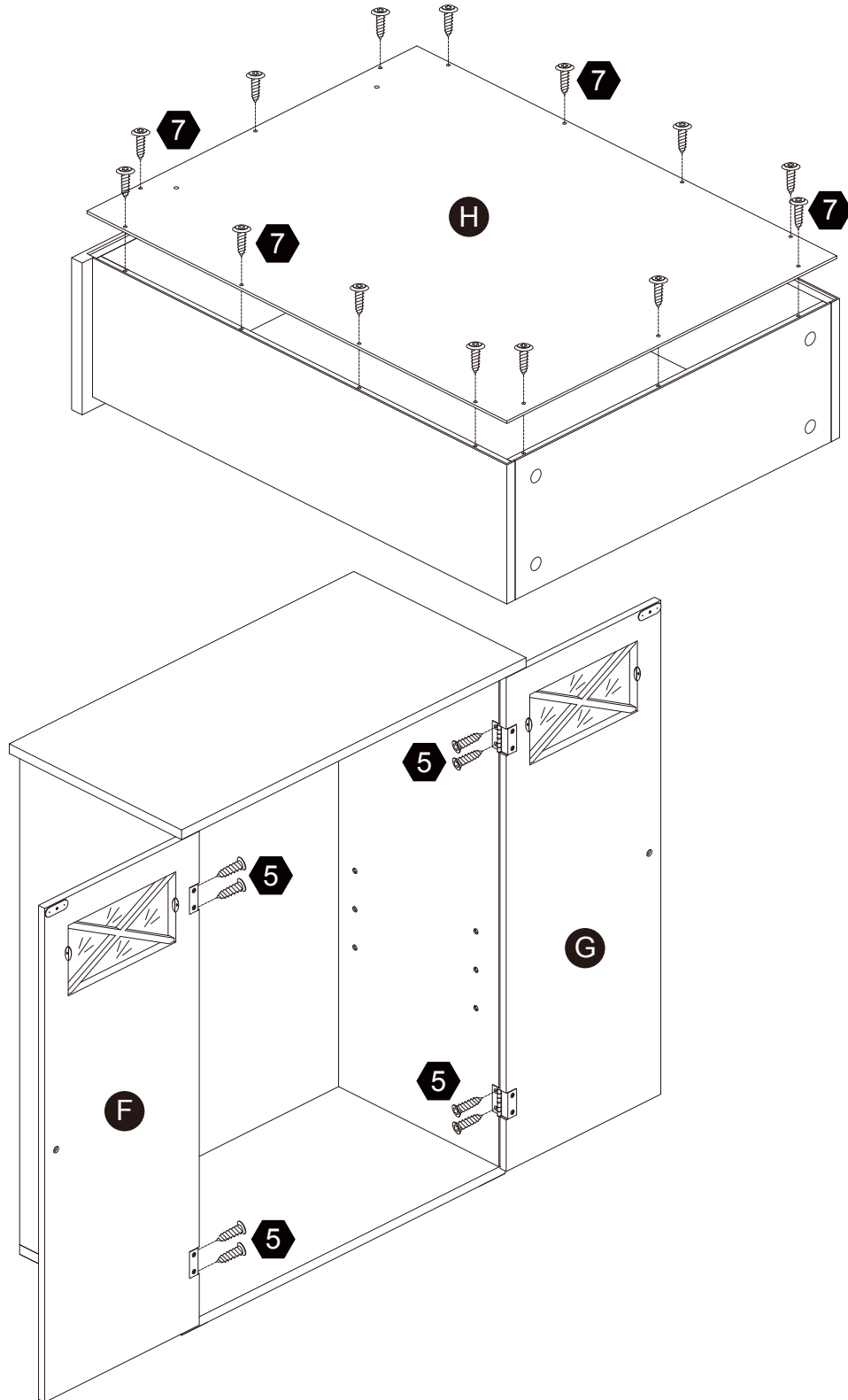


Scan for assembly instructions.

Step 4

5  Ø3*12 8 pcs

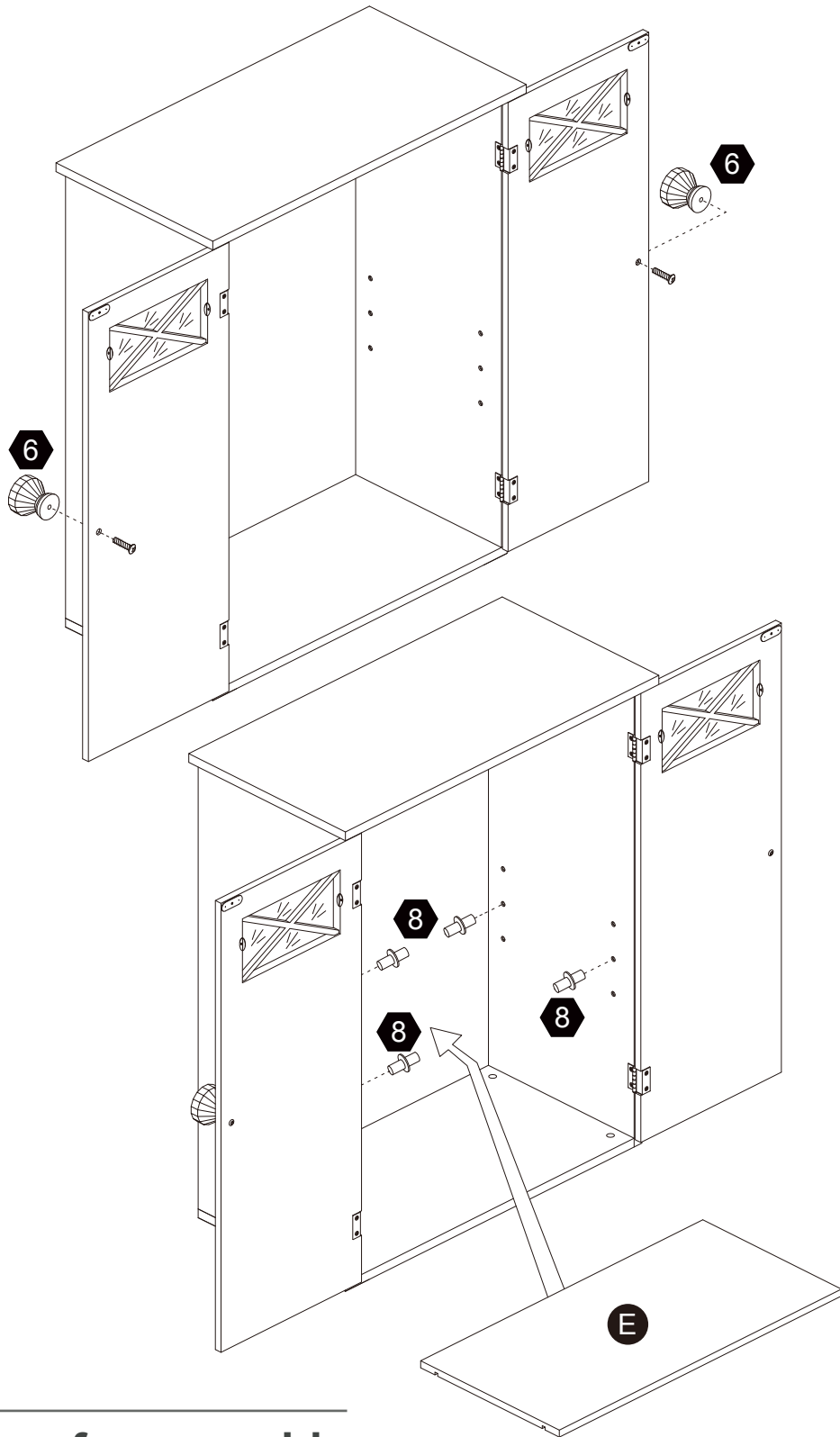
7  Ø3*12mm 14 pcs



Scan for assembly instructions.

Step 5

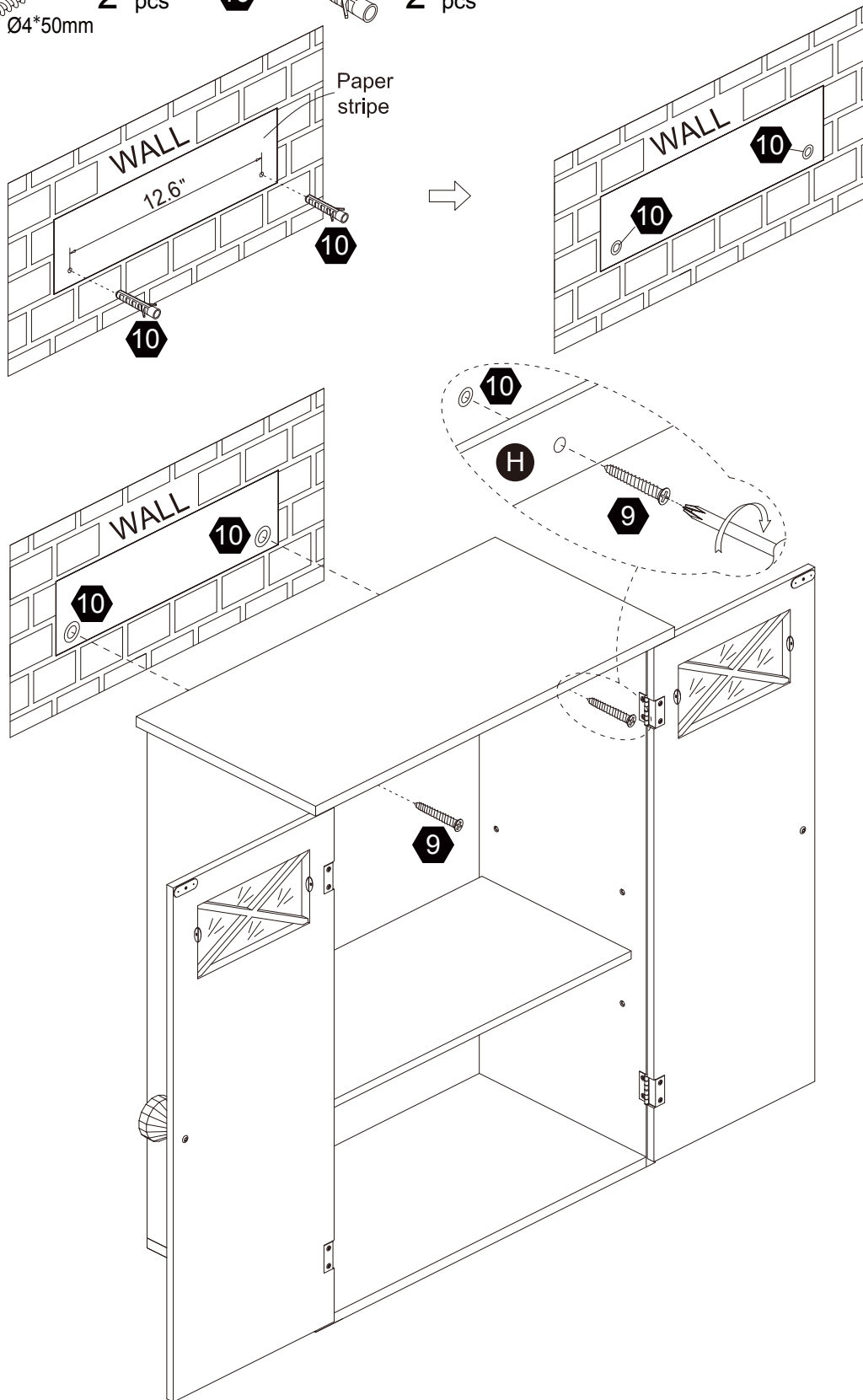
6  2 sets 8  4 pcs



Scan for assembly instructions.

Step 6

9  2 pcs Ø4*50mm 10  2 pcs



Scan for assembly instructions.

