







Assembly Instruction








Floating Shelf

For Product Assembly

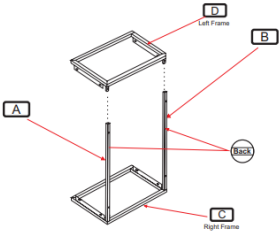
	Dome Head Allen Screw For Shelf Assembly - 12 Pc
	Allen Key - 1 Pc (Long)
	Flat Head Allen Screw For Back Cross Assembly - 4 Pc

For Wall Installation

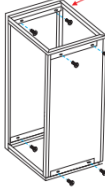
	Phillips Screws - 6 Pc
	Heavy Duty Wall Anchors (for side bar key holes) - 2 Pc
	Standard Wall Anchor (For drill hole) - 4 Pc

	A : Top Bar
	B : Bottom Bar
	C : Right Frame
	D : Left Frame
	E : Back Cross Brace
	F : Top Shelf
	G : Bottom Shelf

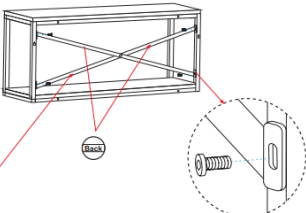
Step -1: Secure the top and bottom bar with side frame.



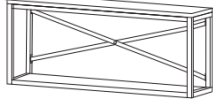
Step 2: Partially fix all Shelves starting from Top shelve, then fully fasten all screw using Allen Key.



Step 3: Fix the Back Cross Brace as shown, first secure all four screws partially and then fasten using the Allen Key.



Step 4: To install the shelf on wall, please follow hanging instruction as given in Hardware Pouch.



Assembled