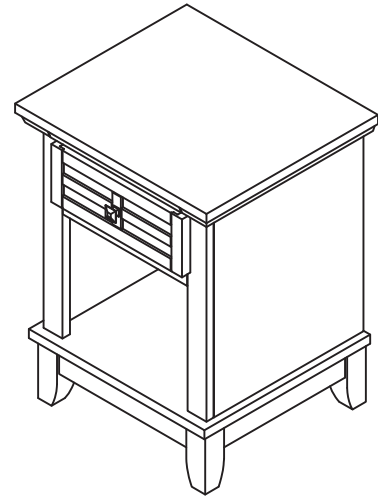


# Night Stand



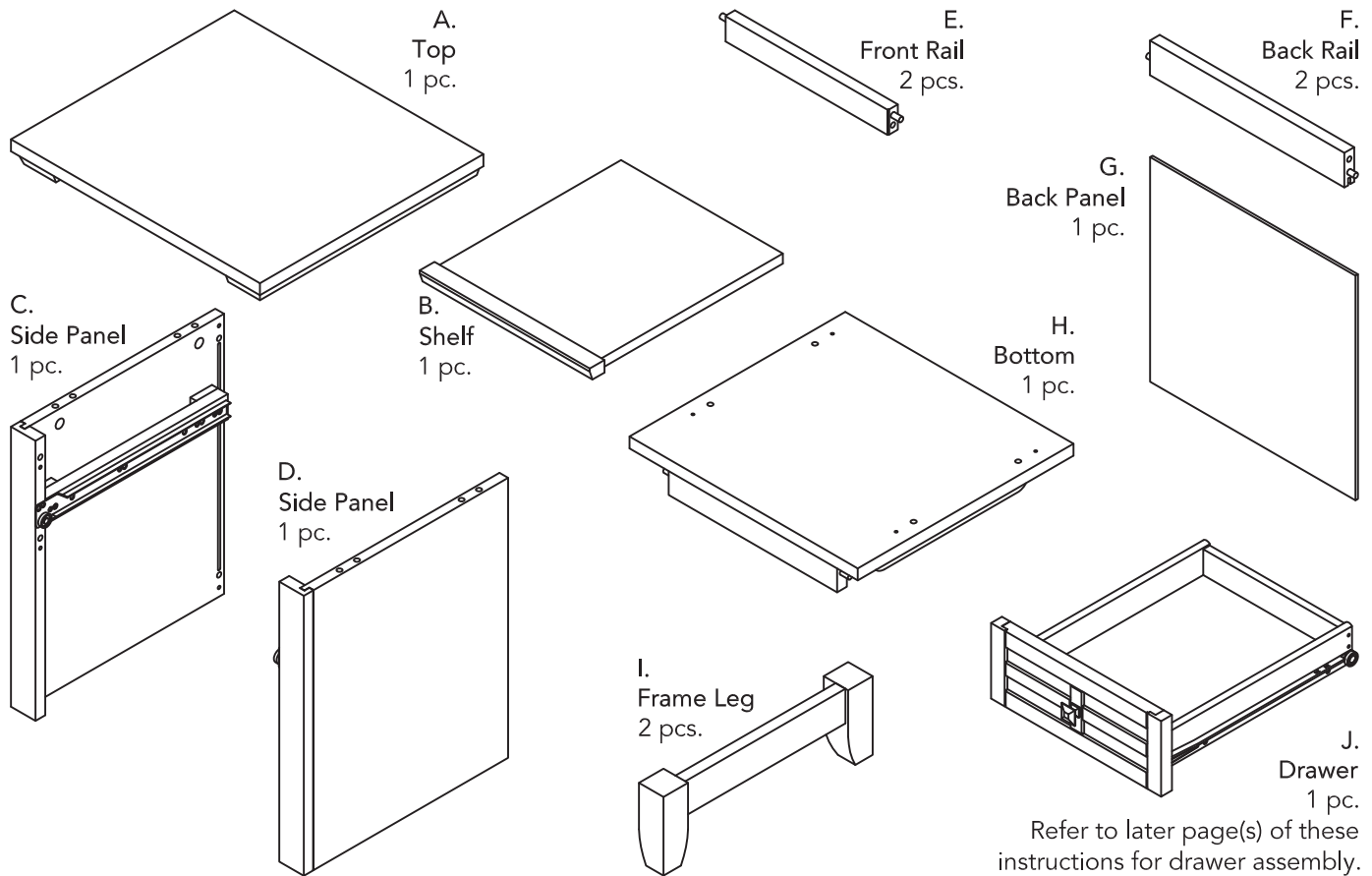
## IMPORTANT

Carefully remove all the parts from the carton and place them individually on a soft cloth to prevent scratches or other damage.

Carefully and strictly follow these assembly instructions to ensure a completed product as designed.

Do not use power tools above 8 volts to assemble.

## Part List



## Hardware List



Cam Lock Screw  
12 pcs. (+2 extra)



Cam Lock  
12 pcs. (+2 extra)



1 1/4" Round Head Screw (M3x32)  
4 pcs. (+1 extra)



5/8" Round Head Screw (M3x16)  
4 pcs. (+1 extra)



1 1/4" Flat Head Screw (M3x32)  
8 pcs. (+1 extra)



3/4" Flat Head Screw (M3x19)  
2 pcs. (+1 extra)



1/2" Flat Head Screw (M3x13)  
1 pc. (+1 extra)



Head Cap Bolt (M6x30)  
4 pcs. (+1 extra)



Machine Screw (5/32"x1")  
1 pc.



Handle  
1 pc.



Dowel  
8 pcs. (+1 extra)



Stopper  
1 pc.



Hex Wrench  
1 pc.



Small Hex Wrench  
1 pc.

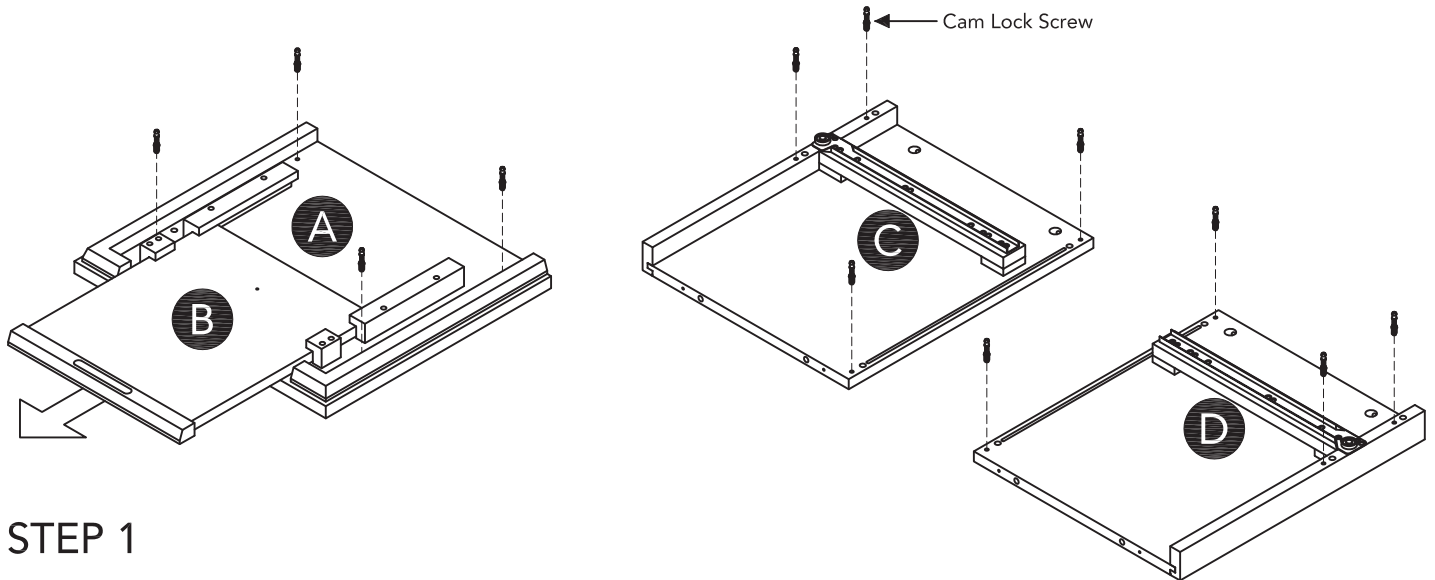
Tool(s) required for assembly: Phillips screwdriver

Home Styles Customer Service: [www.homestyles-furniture.com](http://www.homestyles-furniture.com),  
[servicedesk@homestyles-furniture.com](mailto:servicedesk@homestyles-furniture.com), 888-680-7460, 877-831-0319

## Assembly Instructions 2/7

### IMPORTANT

- Use a soft cloth between these parts and the floor.
- Do not use power tools above 8 volts to assemble.
- Do not tighten all the screws until each part is properly assembled.
- Keep Hex Wrench as the Head Cap Bolts may need to be tightened in the future.



### STEP 1

Pull out Shelf (B) from Top (A).

Insert Cam Lock Screws into pre-drilled holes in Top (A) and Side Panels (C), (D), then tighten.

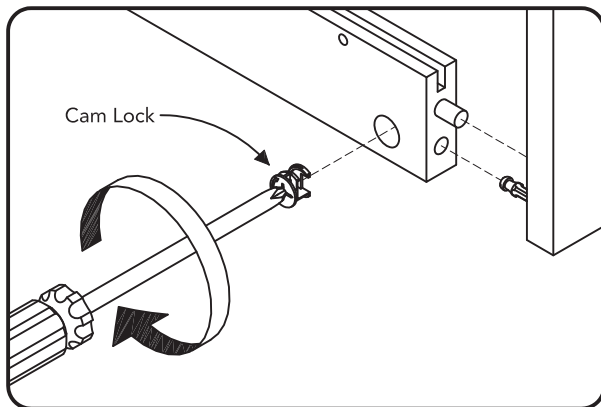


Figure 1

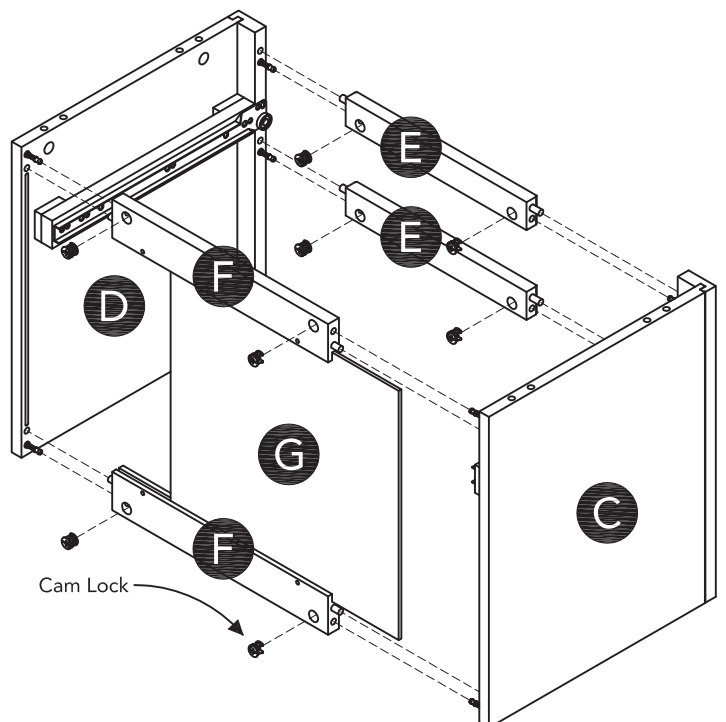
### STEP 2

Attach Back Rails (F) to Side Panel (C) with Cam Locks. (See Figure 1)

Slide Back Panel (G) into position.

Attach Front Rails (E) to unit with Cam Locks.

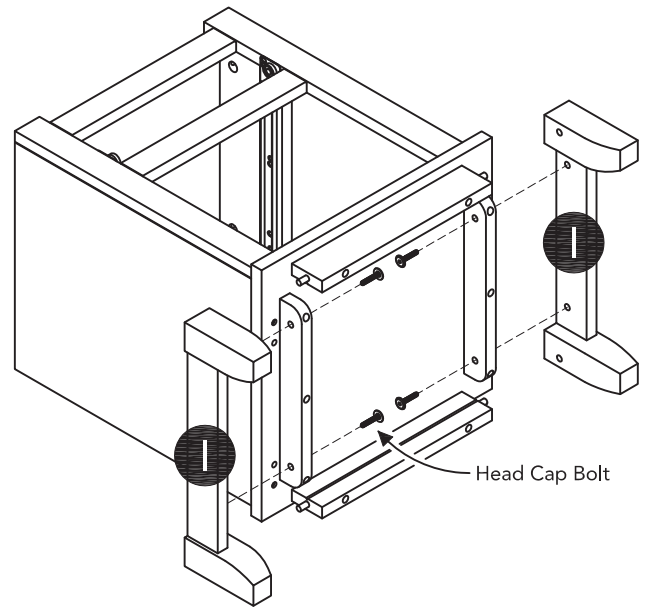
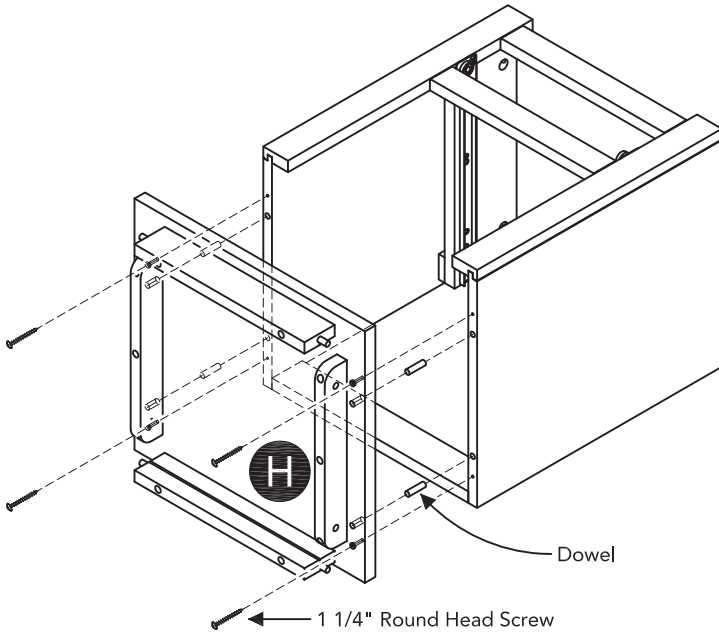
Attach Side Panel (D) to unit with Cam Locks.



# Assembly Instructions 3/7

## STEP 3

Attach Bottom (H) to unit with 1 1/4" Round Head Screws and Dowels.



## STEP 4

Attach Frame Legs (I) to unit with Head Cap Bolts.

Tighten all bolts with Hex Wrench.  
(See Figure 2)

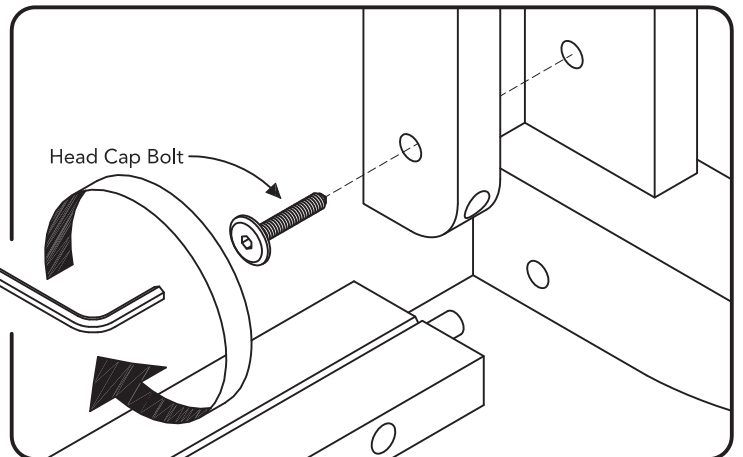
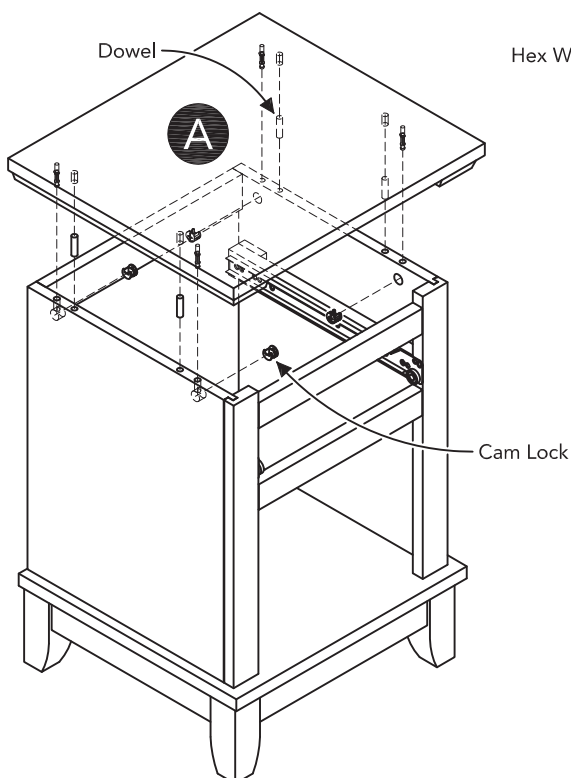


Figure 2

## STEP 5

Attach Top (A) to unit with Cam Locks and Dowels.

# Assembly Instructions 4/7

## STEP 6

Slide Shelf (B) into Top (A) of unit.

Attach Stopper with 1/2" Flat Head Screw into pre-drilled hole in Shelf (B).  
(See Figure 3)

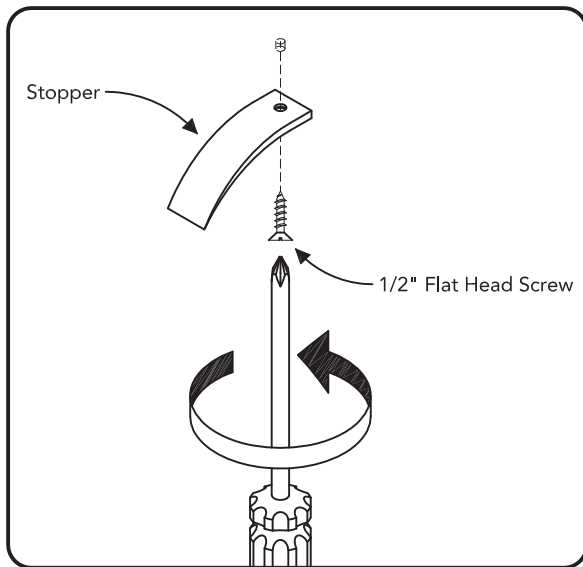
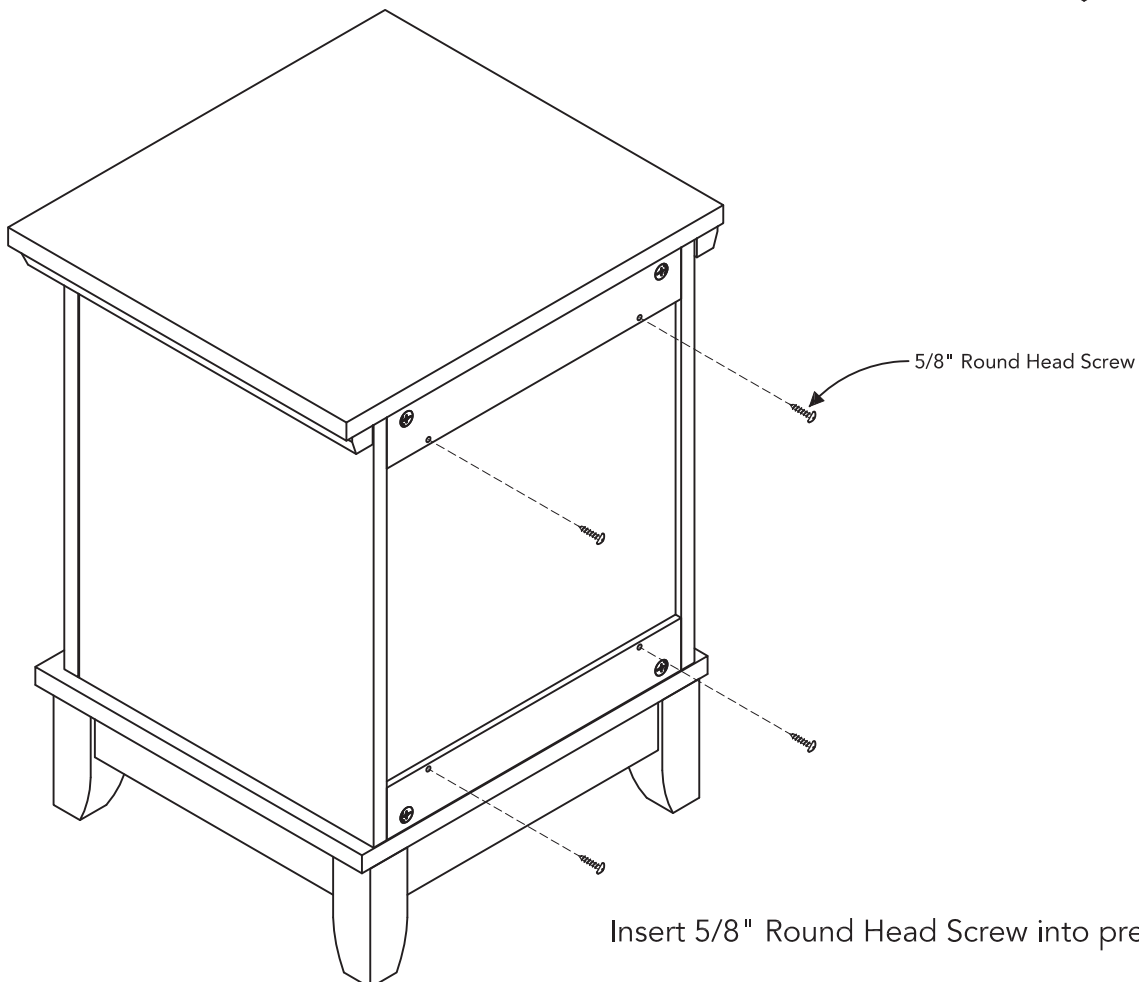
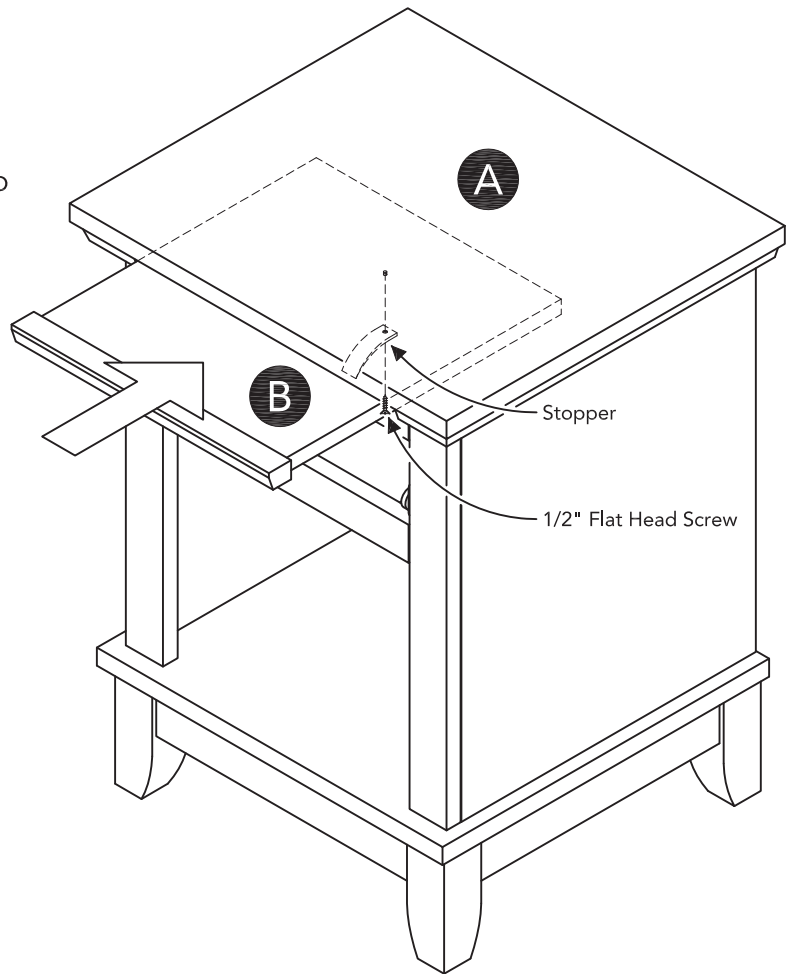


Figure 3

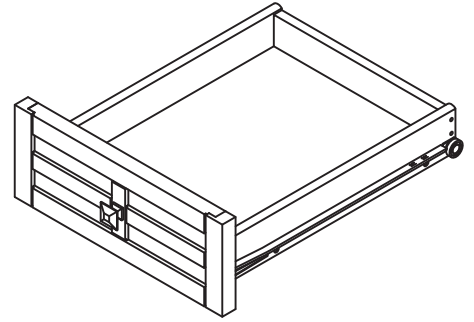
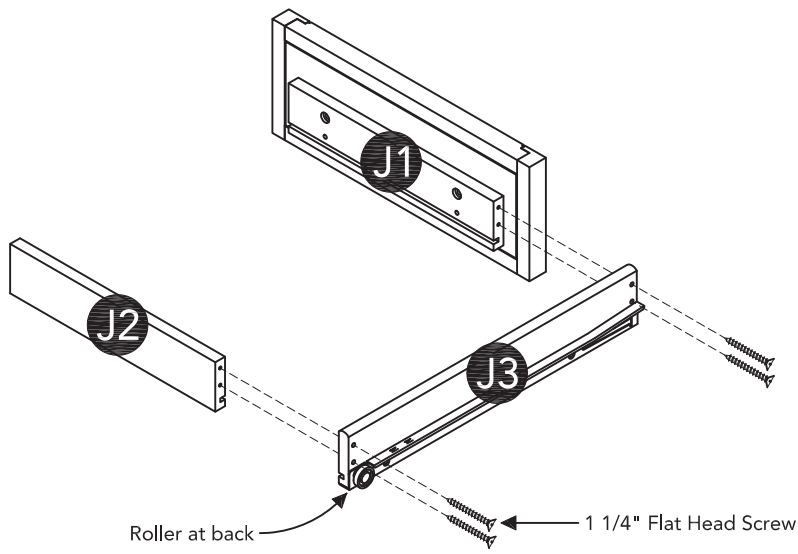


## STEP 7

Insert 5/8" Round Head Screw into pre-drilled holes in unit, then tighten.

# Assembly Instructions 5/7

## Drawer (J)



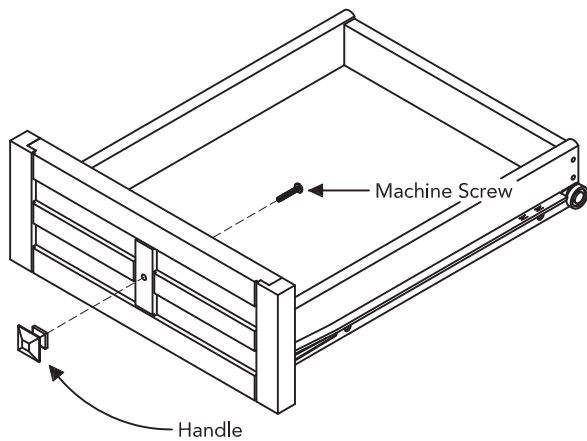
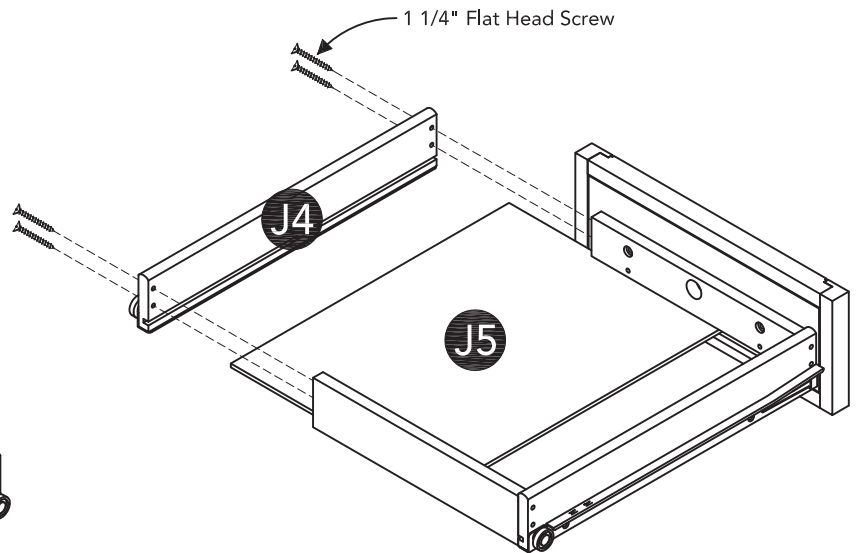
### STEP 8

Attach Drawer Side (J3) to Drawer Front (J1) and Drawer Back (J2) with 1 1/4" Flat Head Screws.

### STEP 9

Insert Drawer Bottom (J5) into groove.

Attach Drawer Side (J4) to unit with 1 1/4" Flat Head Screws.

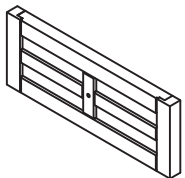


### STEP 10

Attach Handle with Machine Screw.

Note: Drawer assembly is not complete until 3/4" Flat Head Screws are used in a later step.

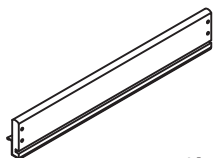
### Part List



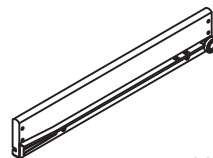
J1.  
Drawer Front  
1 pc.



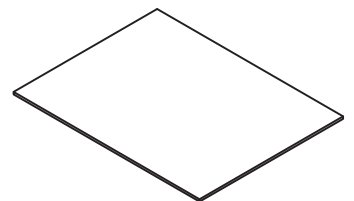
J2.  
Drawer Back  
1 pc.



J3.  
Drawer Side  
1 pc.



J4.  
Drawer Side  
1 pc.

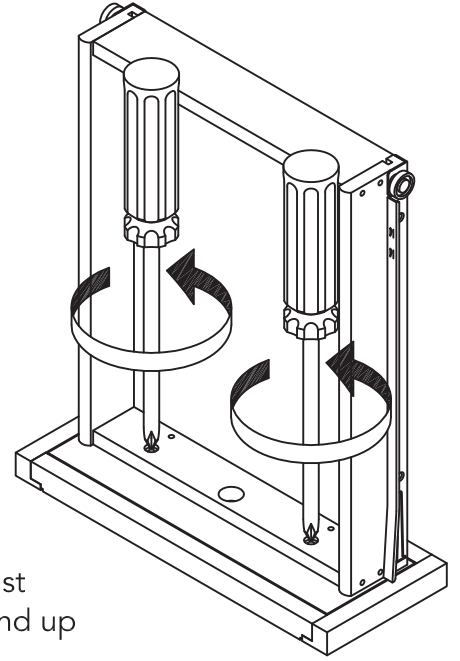
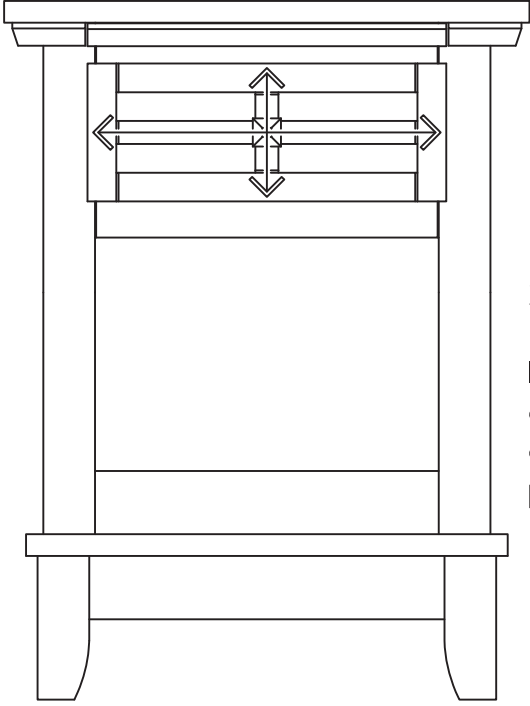


J5.  
Drawer Bottom  
1 pc.

## Assembly Instructions 6/7

### STEP 11

Loosen slightly the screws pre-installed on back of drawer front.



### STEP 12

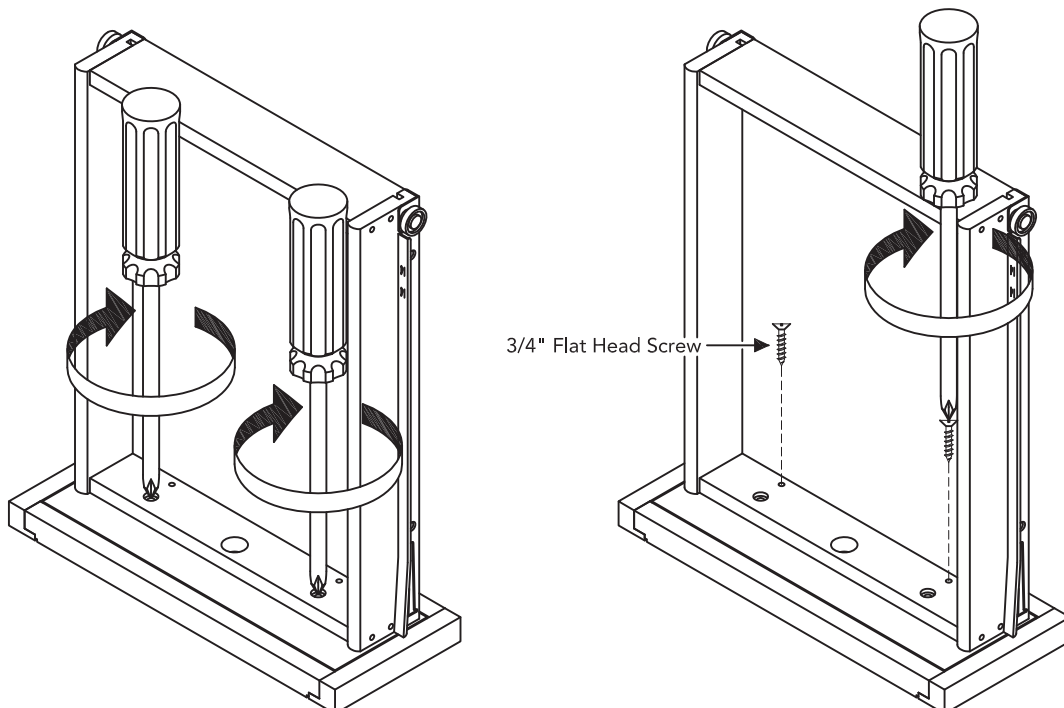
Insert drawer into unit, then adjust drawer front panel left or right and up or down until drawer gaps look proportional.

### STEP 13

Pull drawer open slowly and re-tighten screws from Step 11.

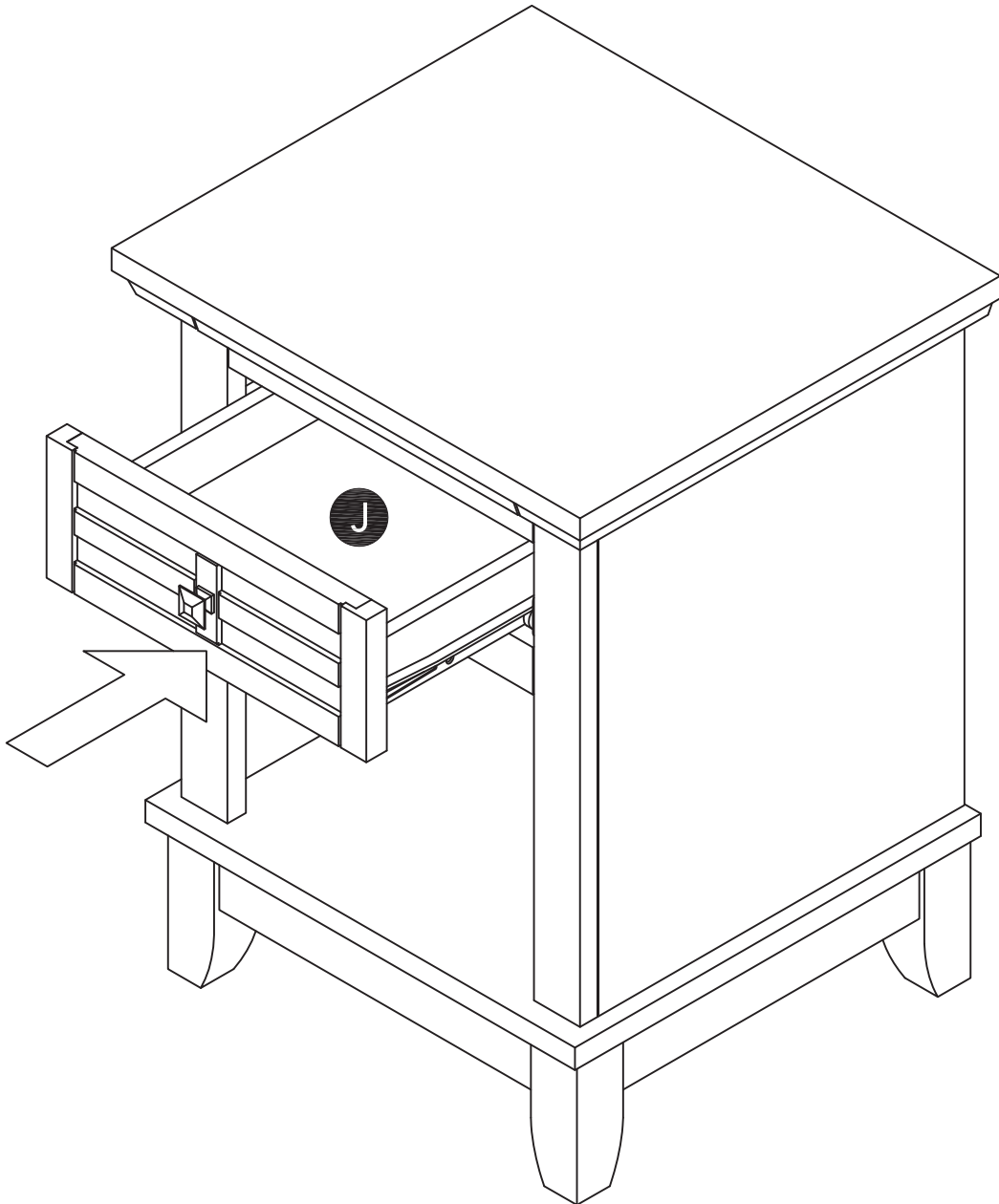
Make sure drawer front panel does not move and lock drawer front panel into position with 3/4" Flat Head Screws.

Note: These 3/4" Flat Head Screws must be installed to complete the drawer assembly.



STEP 14

Slide Drawer (J) into place.



# CARE INSTRUCTIONS

## NEVER

allow liquids to remain on furniture.  
Absorption causes parts to warp  
and split and finishes to delaminate.

## NEVER

use glass cleaners on  
finished furniture. Ammonia  
chemically attacks the finish.



Do not use power tools  
above 8 volts to assemble.

**PREVENT  
CRACKING**



Do not place  
in direct sunlight.

**PREVENT  
FADING**



Do not write  
directly on surface.

**PREVENT  
MARKING**



Do not place hot  
objects on surface.

**PREVENT  
FINISH DAMAGE**



Do not use rubber  
based placemats.

**PREVENT  
DISCOLORING**



Do not use commercial  
waxes and polishes.

**PREVENT  
YELLOWING**

## CLEAN

with a soft cloth moistened  
in lukewarm soap and water.  
Buff with a dry clean cloth.



Home Styles will provide replacements free of charge for missing or damaged hardware or parts within 30 days of purchase. Digital images of the defective parts may be required. If the product was not purchased from an authorized retail affiliate, Home Styles is under no obligation to provide replacement parts. Parts are not available for fully assembled items nor are parts available for sale. Replacements for missing or damaged hardware or parts may be requested at:

[www.homestyles-furniture.com/customer-service/replacement-parts](http://www.homestyles-furniture.com/customer-service/replacement-parts)

Home Styles Customer Service: [www.homestyles-furniture.com](http://www.homestyles-furniture.com),  
[servicedesk@homestyles-furniture.com](mailto:servicedesk@homestyles-furniture.com), 888-680-7460, 877-831-0319