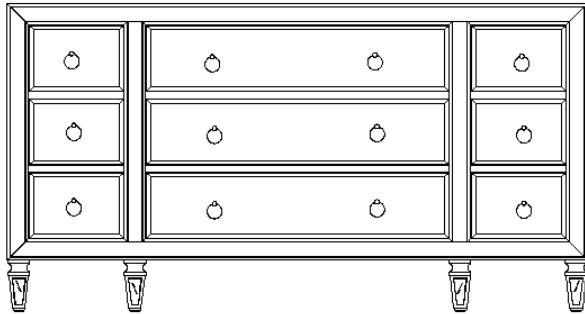






ASSEMBLY INSTRUCTION

Item#: 5414-90002 Nine-Drawer Dresser

** Please make sure you have all parts indicated below prior to assembly.
This Dresser is heavy and can best be assembled with the help of two or more persons.



NO.	HARDWARE LIST		Q'TY
A		Allen Wrench	1
B		Bolt	12
C		Lock Washer	12
D		Flat Washer	12

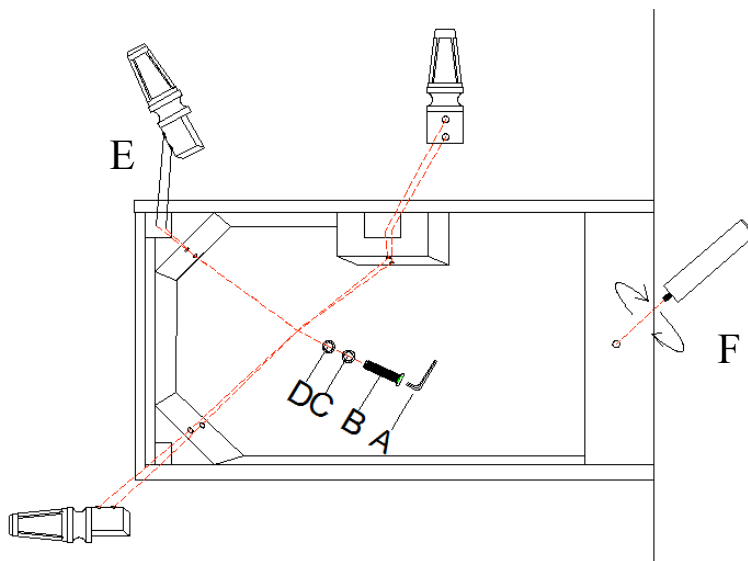


DIAGRAM 1

Assembly Steps for Dresser legs :

1. Place Dresser top upside down on a soft surface to prevent it from being scratched.
2. Attach one leg (E) to bottom rail by using 2 bolts (B), 2 lock washers (C), 2 flat washers (D), and secure by turning with Allen Wrench (A) in a clockwise direction. Please follow the number on leg and corner block (See diagram 1).
3. Attach the other five legs in the same way as step 2.
4. Insert the center support leg (F), and turn the leg in clockwise direction. (See diagram 1)
5. Turn the Dresser upright.

Caution: Do not over tighten.

Cleaning Instruction: Clean finished parts with a damp cloth using a mild dishwashing liquid and water solution. Polish the finish with soft cloth and an industry recognized furniture polish.